

TAHITI



183 HEAD



183 HEAD PANORAMA



210 - 250

183 HEAD - HEAD PANORAMA - 210 - 250

ISA

Bastia Umbra - Perugia
Italy

Tel. +39 075 80171
Fax +39 075 8000900

www.isaitaly.com




















1.	NOTES / WARNINGS	4
2.	MANUFACTURER	10
3.	WARRANTY TERMS AND CONDITIONS	10
4.	EQUIPMENT IDENTIFICATION	10
5.	USE	11
5.1	COMPOSITION	11
6.	SAFETY	12
6.1	SAFETY DEVICES PRESENT	12
6.2	FIXED PROTECTIONS	12
6.3	ISOLATING THE ELECTRIC POWER SUPPLY	12
6.4	RESIDUAL RISKS	12
6.5	RISK OF CONTACT WITH LIVE PARTS	12
6.6	FIRE	12
6.7	EXPLOSIVE ATMOSPHERE	13
6.8	SLIPPING	13
6.9	TRIPPING	13
6.10	CIRCUIT FAULTS	13
6.11	WARNING SIGNS (IF ANY)	13
6.12	FALLING OBJECTS	13
6.13	COOLING	13
6.14	FOODSTUFFS SAFETY (PACKAGED PRODUCTS)	13
7.	DISPOSAL OF WASTE MATERIAL	14
8.	INSTALLATION	15
8.1	STORAGE AND UNPACKING	15
8.2	ENVIRONMENTAL CONDITIONS	15
8.3	ELECTRICAL CONNECTION	15
8.4	INSTALLATION - SINGLE MODULE	16
8.5	INSTALLATION - COMBINED MODULES	17
8.6	POSITIONING / LEVELLING	17
9.	MAINTENANCE	18
10.	FAULTS - TECHNICAL AFTER-SALES ASSISTANCE	19
10.1	ALARMS LIST (WHERE PRESENT)	20
11.	TECHNICAL SPECIFICATIONS - 210-250	21
	TECHNICAL SPECIFICATIONS - 183 HEAD	22
	TECHNICAL SPECIFICATIONS - 183 HEAD PANORAMA	23
11.1	OPEN / CLOSE GLASS SLIDING	24
11.2	LIGHTING	24
12.	CONTROL PANEL	25
12.1	USER INTERFACE - EW978	26
12.2	USER INTERFACE - AK CC 250	28
13.	CLEANING	29
13.1	INTERNAL	29
13.2	CONDENSING UNIT	30
13.3	DEFROST WATER COLLECTION TRAY (IF PRESENT)	30
13.4	SLIDING GLASS PANELS	30
14.	PROLONGED APPLIANCE SWITCH-OFF	31

ATTACHMENTS

1	WIRING DIAGRAM - 412100182100	32
2	WIRING DIAGRAM - 412100539000	34
3	WIRING DIAGRAM - 412100538000	36
4	WIRING DIAGRAM - 412100600000	38
5	WIRING DIAGRAM - 412100603100	40
6	WIRING DIAGRAM - 412100332000	42
7	WIRING DIAGRAM - 412100626000	44
8	BASE BOARD KIT	47
9	BACK TO BACK KIT	48
10	PANEL KIT	49
11	EXTERNAL LIGHTING KIT	50
12	UPPER SHELF KIT	51

The manual contains symbols to attract the reader's attention and highlight particularly important aspects. The table below illustrates the meaning of the various symbols used.

	READ THE MANUAL		USE OF PROTECTIVE CLOTHING
	DANGER LIVE ELECTRICAL PARTS		REQUESTS FOR MAINTENANCE OR OPERATIONS MUST BE CARRIED OUT BY QUALIFIED STAFF OR TECHNICAL AFTER-SALES CENTRES
	ATTENTION / DANGER		IMPORTANT INFORMATION
	INFORMATION		OPERATIONS THAT MUST BE PERFORMED BY TWO PERSONS
	VISUAL CHECK		NOTES / WARNINGS
	ON-BOARD CONDENSING UNIT		REMOTE CONDENSING UNIT
	DANGER SLIPPING		WASTE DISPOSAL
	DANGER TRIPPING		RECYCLABLE MATERIALS
	EARTHING		

1. NOTES / WARNINGS



NOTE

The content of this manual is of technical nature and is owned by **ISA**. It is forbidden to reproduce, circulate or modify all or part of its content without written consent. Any infringement will be legally pursued.

The manual and the conformity certificate are an integral part of the equipment and should always accompany the product in the event of a transfer to a new location or to a new owner. The user is responsible for the integrity of these documents, for their consultation and during the whole life cycle of the equipment itself. Keep this manual in a safe place. It should be available for consultation near the equipment at all times. If lost or destroyed, you can request a copy of the manual from **ISA** by specifying the exact model, serial number and year of manufacture. The manual reflects the manufacturing technology at the time of supply. The manufacturer reserves the right to modify its products in any way it deems necessary, with no obligation to update manuals and machines relating to previous manufacturing batches.

The equipment can be used by children no younger than 8 and by persons with reduced physical, sensorial or mental capabilities, or lacking experience or necessary knowledge, as long as supervised or after having received training regarding safe use of the equipment and have an understanding of the inherent risks involved. Do not allow children to play with the device. The cleaning and maintenance that the user will carry out must not be undertaken by children without supervision.

Always refer to this manual before going ahead with any operation. Before doing any type of work, disconnect the equipment from the power supply. Any work on electric and electronic parts or cooling system components should only be carried out by trained personnel in compliance with current laws.

The Manufacturer cannot be held liable for any damage to persons, animals or to the product in the cases below:

- Improper use of the equipment or use of the appliance by unqualified or unauthorised personnel.
- Failure to comply with current legislation.
- Incorrect installation and/or power supply faults.
- Failure to observe the instructions contained in this manual.
- Failure to follow the maintenance programme.
- Unauthorised modifications.
- Installation of non-original spare parts in the equipment.
- Installation and use of the equipment for purposes other than those for which the appliance was designed and sold;
- Tampering with or damage to the power supply cable.

1. NOTES / WARNINGS

Liability for applying the safety instructions contained in this manual is held by the technical personnel responsible for the intended use of the equipment, who should ensure that authorised personnel:

- Are qualified to carry out the requested activity;
- Is aware of and carefully complies with the instructions contained in this document
- Are aware of, and apply, the general safety standards applicable to the equipment.

The buyer is responsible for training personnel using the appliance on the risks, safety devices and general health and safety rules required by the laws of the country where the appliance is installed. Users/operators should be aware of the position of all the controls and how they work, as well as of the features of the appliance.

They should also read this manual in its entirety. Maintenance work should be conducted by qualified personnel after the appliance has been prepared adequately..

DANGER



Unauthorised tampering or replacement of one or more parts of the appliance, use of accessories that modify the use of the same and use of spare parts different to those recommended, can become the cause of injury.

DANGER



Any work conducted on the on the appliance **must** involve disconnection from the power socket and in any case, none of the protective elements (grid, casing) should be removed by non-qualified staff. The appliance should not be operated when these protective elements have been removed.

NOTE



In order not to compromise functionality and safety of the appliance, the particularly complex installation and maintenance activities are not documented in this manual and are performed by specialised **ISA** technicians.

Never use electric devices inside this appliance. Do not use mechanical or other means to accelerate the defrosting process, other than recommended by the manufacturer. Keep the air vents in the casing of the appliance or in the structure built into the wall free of obstructions. Do not damage the refrigerant circuit.

RISK OF EXPLOSION

Do not store in the equipment products which contain flammable propellants and explosives.

1. NOTES / WARNINGS

STAFF TRAINING

The buyer is responsible for ensuring personnel who will use the appliance and maintenance technical staff are instructed and trained adequately. The manufacturer is available for advice, clarifications, etc. so that the operator and technical staff can use the appliance correctly.

To ensure the operator's safety, appliance devices should be kept in constant working order. This manual is intended to illustrate the use and maintenance of the appliance. The operator has a responsibility and duty to carefully observe the instructions contained within it.

Failure to comply with safety standards may result in injury to personnel and damage to the equipment components and control unit. The user can contact the dealer to request additional information not contained in this document, or suggest improvements, at any time.



Before the product is delivered to the customer, it is essential that a **trained technical member of staff** checks that the appliance is operating correctly in order to achieve maximum performance.

INTRODUCTION

ISA employs materials of the best quality and as they enter the company, we constantly monitor their storage and the use as part of the manufacturing process to prevent damage, deterioration and failure. All manufacturing elements are designed and manufactured in order to guarantee reliability and high safety standards. All appliances are subjected to a strict testing procedure before delivery. However, please bear in mind that product performance over time depends on correct use and adequate maintenance. This manual contains the necessary instructions to maintain the appliance's initial appearance and functions over time.

The Use and Maintenance manual contains the necessary information for understanding how the appliance works and how to use it properly, namely: the technical description of the various operational units, equipment and safety systems, operations, how to use the instruments and the interpretation of any diagnostics reports, main procedures and information relating to routine maintenance. For correct use of the appliance, the working environment should comply with current health and safety standards.

The safety requirements, indications, standards and notes illustrated in the various chapters of the manual are aimed at establishing a code of conduct and a series of obligations to be observed when performing the various activities, in order to create safe conditions for personnel, the equipment and the surrounding environment.

1. NOTES / WARNINGS

The safety standards reported in this document are intended for trained, authorised personnel responsible for:

- Transport
- Installation
- Operation
- Management
- Maintenance
- Cleaning
- Putting out of order
- Disposal



ATTENTION

Reading this manual, albeit in full, is no substitute for adequate user experience. therefore it should only be considered a useful reminder of the technical features and the main operations to perform.



NOTE

The installers and users must read and understand the instructions contained herein before any operation on the appliance.



1. NOTES / WARNINGS

R744 - REFRIGERANT (WHERE APPLICABLE)

R744 The refrigerant **R744** is a gas that is compatible with the environment. Pay close attention during transport, installation and that the destruction not to damage the refrigerant pipelines.

IN THE EVENT OF DAMAGE:

Keep away from the flame or ignition sources. Properly ventilate the premises for a few minutes. Turn the unit off, pull the plug. Inform customer support service.



WARNING

The refrigerant system is **High Pressure**.



HIGH PRESSURE

Do not tamper with the system, but call a specialised and qualified technician before disassembly.



ATTENTION

Maintenance must be performed exclusively by qualified staff.

R290 - REFRIGERANT (WHERE APPLICABLE)



The refrigerant **R290** is a gas that is compatible with the environment, but **highly flammable**.

Pay close attention during transport, installation and that the destruction not to damage the refrigerant pipelines.

IN THE EVENT OF DAMAGE:

Keep flames or sources of ignition away from the appliance. Properly ventilate the premises for a few minutes. Turn the unit off, pull the plug. Inform customer support service. The more refrigerant containing an appliance, the greater must be the environment in which there is the unit. In areas too small, in the event of leakage can form a flammable mixture of air and gas. **The volume of the room where the appliance is installed must be at least 19 m³ for each cooling system present in the room.**



ATTENTION

Maintenance must be performed by qualified personnel that has been to work with flammable refrigerants.

1. NOTES / WARNINGS

R600a - REFRIGERANT (WHERE APPLICABLE)



The refrigerant **R600a** is a gas that is compatible with the environment, but **highly flammable**.

Pay close attention during transport, installation and that the destruction not to damage the refrigerant pipelines.

IN THE EVENT OF DAMAGE:

Keep flames or sources of ignition away from the appliance. Properly ventilate the premises for a few minutes. Turn the unit off, pull the plug. Inform customer support service. The more refrigerant containing an appliance, the greater must be the environment in which there is the unit. In areas too small, in the event of leakage can form a flammable mixture of air and gas. **The volume of the room where the appliance is installed must be at least 17 m³ for each cooling system present in the room.**



ATTENTION

Maintenance must be performed by qualified personnel that has been to work with flammable refrigerants.

2. MANUFACTURER

ISA | Bastia Umbra - Perugia - Italy | www.isaitaly.com
 Tel. +39 075 80171
 Fax +39 075 8000900

3. WARRANTY TERMS AND CONDITIONS

The seller's warranty on the equipment is valid for **12 (TWELVE) months from the date of delivery**.
 The warranty includes repairs or replacements of any faulty parts due to manufacturing processes or installation after written communication has been received, stating the appliance serial number and date of installation.
 Not included in the warranty:

- All defects caused by incorrect use of the appliance.
- All defects caused by incorrect electrical connection.
- All defects caused by normal wear (for instance compressor failure and fluorescent lamp malfunctioning that is not due to manufacturing defects).
- Calls for installation, technical instructions, adjustments and cleaning the condenser.

If the seller's technical staff detect any tampering, unauthorised repairs or inappropriate use of appliance the warranty will be invalidated.

Shipment of components covered by the warranty is freight collect only.

Any damage to the appliance detected at the time of delivery due to transport must be reported on the same shipping note to claim compensation from the carrier.

The seller cannot be held liable in the event of damage to the preserved product due to appliance failure.

4. EQUIPMENT IDENTIFICATION

- Find the label affixed on the machine to read the technical data.
- Check the machine model and the power supply voltage before you perform any operation.
- If you uncover mismatches, contact the manufacturer or the company that supplied the machine immediately.

1		2			
Tip. 3		Mod. 4			
Art. 5					
Data prod. - Prod. Date 6	Ordine prod. - Prod. Order 7	Ord. cliente - Cust. Order 8	Classe Prodotto - Product Class (En23953) 9		
Matricola - Serial Number 10		Matr. di Proprietà - Property Number 11			
12 V~	13 Hz	14 A	15 W	16 W	
Potenza nominale - Rated Power 17 W	Potenza in Sbrinam. - Defrosting Power 18 W	Psig min 19	Psig max 20	Classe Sicur. - Safety Class (EN 60335-2-89) 21	
Corrente nominale - Rated Current 22 A	Corrente in Sbrinam. - Defrosting Current 23 A	Carico rip. - Shelf load 24 Kg/m2		Carico vasca - Tank load 25 Kg/m2	
Tipo Refrigerante Refrigerant Type 1, 2, 3 26		Peso Refrigerante Refrigerant Weight 27 Kg		Volume Lordo - Gross Volume 28 L	
		Espandente - Foaming Agent 29		30	
CONTIENE GAS FLUORURATI AD EFFETTO SERRA DISCIPLINATI DAL PROTOCOLLO DI KYOTO; SISTEMA ERMETICAMENTE SIGILLATO CONTAINS FLUORINATED GREENHOUSE GASES COVERED BY THE KYOTO PROTOCOL; SYSTEM HERMETICALLY SEALED					

1	IDENTIFICATION OF THE COMPANY PRODUCT MANAGER
2	SYMBOLS OF COMPLIANCE
3	TYPE
4	MODEL NAME
5	ARTICLE
6	PRODUCTION DATE
7	PRODUCTION ORDER
8	CUSTOMER ORDER
9	PRODUCT CLASS
10	SERIAL NUMBER
11	OWNER REGISTRATION NUMBER
12	VOLTAGE
13	SUPPLY VOLTAGE
14	FUSE VALUE
15	LAMP POWER
16	ELECTRICAL RESISTANCE ABSORPTION
17	NOMINAL POWER (NORMAL OPERATION)
18	POWER (DEFROSTING)
19	MINIMUM PRESSURE
20	MAXIMUM PRESSURE
21	SAFETY CLASS
22	NOMINAL CURRENT
23	CURRENT DURING DEFROSTING
24	LEVEL LOAD
25	TANK LOAD
26	TYPE OF COOLANT
27	WEIGHT OF COOLANT
28	GROSS VOLUME
29	EXPANDING ISOLATION AGENT
30	WEEE MARK

5. USE

This appliance is exclusively intended to:

TB DISPLAY AND STORAGE OF PRE-PACKAGED ICE CREAM AND/OR FROZEN FOODS

TN DISPLAY AND STORAGE OF FRESH PRODUCE PRE-PACKAGED DAIRY PRODUCTS AND SOFT DRINKS

The manufacturer is not liable for injury to persons or damage to property or the appliance itself caused by the displaying of products other than those described above.

THE APPLIANCE IS INTENDED FOR PROFESSIONAL USE



USES NOT ALLOWED

- Displaying and/or preserving non-food products (chemicals, pharmaceuticals, etc...).

ATTENTION

LOAD LIMITS



It is fundamental **not to exceed** the load limits **indicated** in order to avoid altering the correct circulation of air and to avoid the temperature of the product being too high. The limits indicated refer to a static and evenly distributed load. Therefore dynamic overloads due to violent loading operations are excluded, which must be prevented for safety reasons.

ATTENTION



LOADING PRODUCT

The load should be performed only after waiting at least one (1) hour by power of the equipment.



≥ 1 hour

5.1 COMPOSITION

The appliance is made up from a unique cabinet, onto which all devices necessary to make it a professional and efficient product for its declared use, are installed.

The appliance is made up from:

Cooling system at Static Refrigeration (RS)

Condensing unit on board (UCA)

MAINTENANCE FREE

Electrical system

Electronic controller

Insulated monolithic structure in ecological polyurethane

Closure with sliding lids

Grid kit

Baseboards rigid

Height adjustable feet

Automatic system for evaporation of condensing water

LED lighting

OPTIONAL

Automatic defrost

OPTIONAL



6. SAFETY

The appliance is equipped with safety devices. The buyer is responsible for training personnel using the appliance on the risks, safety devices and general health and safety rules required by the laws of the country where the appliance is installed. Users/operators should be aware of the position of all the controls and how they work, as well as of the features of the appliance. They must also have read this manual in its entirety.

6.1 SAFETY DEVICES PRESENT

Devices whose operation prevents the occurrence of risk situations in operating conditions (e.g. fuses, pressure switches, protections, magnet circuit breakers, etc.).

6.2 FIXED PROTECTIONS

Fixed protective devices consist of fixed perimeter shields, which are used to prevent external parts from entering the equipment.



DANGER

It is prohibited to re-start the appliance following maintenance without having correctly restores the panels.



VISUAL CHECK

You should check the integrity of fixed panels and corresponding fixings to the frame, focussing in particular on the protective panels.

6.3 ISOLATING THE ELECTRIC POWER SUPPLY

Before conducting any maintenance work on the equipment or part of it, it is necessary to section the power supply that powers it.



DANGER

In the event of maintenance operations in which the operator cannot prevent accidental closure of the circuit by others, to totally disconnect the appliance from the mains electricity.

6.4 RESIDUAL RISKS

During design the manufacturer examined all the areas or parts at risk. Therefore, all necessary precautions have been taken to prevent risks to persons and damage to the appliance.



ATTENTION

- Periodically check that all safety devices are operating correctly.
- Do not remove the fixed guards.
- Do not introduce objects or tools into the work area.

Although the appliance is fitted with the safety devices prepared, there are still some risks that cannot be eliminated, but reduced via corrective actions by the final integrator and correct operational procedures. Below is a summary of the remaining risks associated with the appliance during:

- Normal operation.
- Adjustement and tweaking.
- Maintenance.
- Cleaning.

6.5 RISKS OF CONTACT WITH LIVE PARTS

Risk of breaking or damaging the electrical components of the appliance, with a possible reduction in safety levels, following a short circuit.

Before connecting the electricity supply, make sure there is no ongoing maintenance work.



ATTENTION

Before making the connection, check that the d.c. current in the installation point does not exceed that indicated on the protections switches present in the electric control board. If this is not the case, the user must envision the relevant limiting devices. It is strictly forbidden to conduct any electrical modification, in order to prevent additional unforeseen hazards and risks.

6.6 FIRE



DANGER

In the event of a fire, immediately disconnect the master switch from the main power supply line.

6.7 EXPLOSIVE ATMOSPHERE

The equipment must not be located in an area classified as an explosion risk according to 1999/92/EC such as:

Zone 0

An area in which there is a permanent, long-lasting or frequently explosive atmosphere made up of a mixture of air and flammable substances in the form of gases, fumes or steam.

Zone 1

An area in which the formation of an explosive atmosphere, made up of a mixture of air and flammable substances in the form of gases, fumes or steam is occasionally probable during normal activities.

Zone 20

An area in which there is a permanent, long-lasting or frequently explosive atmosphere in the form of clouds of combustible dust in the air.

Zone 21

An area in which the formation of an explosive atmosphere in the form of clouds of combustible dust is occasionally probable during normal activities.

6.8 SLIPPING



DANGER

Any leaks in the areas surrounding the appliance may cause personnel to slip. Check that there are no leaks and keep these areas clean at all times.

6.9 TRIPPING



DANGER

Generally untidy deposits of material may constitute a tripping hazard and a total or partial obstruction of emergency exit routes. You should ensure that operating and transit areas and escape routes are free from obstacles in compliance with current law.

6.10 CIRCUIT FAULTS

Owing to potential faults, safety circuits may become less effective, which results in lower safety levels. You should check the operational condition of the appliance devices regularly.

6.11 WARNING SIGNS (IF ANY)

The appliance is fitted with warning danger, warning and obligation signs defined in agreement with the Standard relative to the graphical signs to be used on plants. The signs are located in clearly visible positions.



ATTENTION

The warning plates present on the appliance must not be removed.
The user is responsible for replacing warning signs that, owing to wear, become unreadable.

6.12 FALLING OBJECTS

Positioning of the cabinet display parts (i.e. counters, rods and hooks), as also product arrangement inside the cabinet can be the source of potential hazards if not properly performed. Follow the positioning instructions described in this Manual before you place products inside the cabinet, check that the counters are properly fastened, as also the hooks, etc. Do not exceed the maximum load limit. Do not exceed the maximum load limit. Do not position tilted product on the counters if they are not held in place by their stoppers.

6.13 COOLING

During different operations to perform on the counter, such as cleaning or loading goods, it is necessary to handle products and/or counter parts at a low temperature with the risk of "cold injury" for the operators and/or accidental slipping hazard. Follow the safety regulations in the place where the cabinet is installed; more specifically, be sure to always use the right PPE (especially gloves).

6.14 FOODSTUFFS SAFETY (PACKAGED PRODUCTS)

The refrigerator cabinet described herein is meant to be used to display packaged products. As such, it is not designed for direct contact between the foodstuffs and display surfaces. If the foodstuffs do accidentally make contact with the surfaces and for a rather long time, the product may be contaminated. Follow the guidelines on how to use the cabinet. If a product package breaks, remove it from the cabinet and clean, if necessary.

7. DISPOSAL OF WASTE MATERIAL

During normal operation, the appliance does not generate any environmental contamination. At the end of its life cycle, or if it is necessary to proceed to permanent decommissioning, we recommend following the procedures below:

DISPOSAL (USER)



The symbol, applied to either the product or its packaging, indicates that the product should not be considered as normal domestic waste, but should be taken to a waste collection point for the recycling of electrical and electronic appliances. The correct disposal of this product contributes to preventing potential negative consequences that might derive from an inadequate disposal of the product. For detailed information about recycling this product, contact your council, your local waste collection service or the store where you purchased the product.

PROCEDURE FOR DISPOSAL and RECYCLING AT THE END OF APPLIANCE LIFE SPAN (AUTHORISED BODIES)

- Switch off the equipment and unplug the power supply cable.
- Remove the lamps (if installed). These should be disposed of separately.
- Remove the power units and the electronic cards. These should be disposed of separately.
- Remove all the independent parts (grids, casings, profiles, etc.) and group them according to shared features in order to access the heat exchangers, pipes, cables, etc. and be careful not to damage the cooling circuit.
- Remove all mobile parts (doors, sliding doors, glass parts, etc.) and group the various materials according to their features.
- Check the type of refrigerant on the plate positioned inside the counter; extract the refrigerant and dispose of it through authorised services.
- Disconnect the evaporator, condenser, compressor, pipes and fans. These are made of copper, aluminium, steel and plastic and should therefore be disposed of separately.
- On removal of all guards and the various components from the frame, separate the different types of material making up the appliance (plastic, sheet steel, polyurethane, copper, etc) and collect them separately.



All recyclable materials and waste should be processed and recycled by professionals, in compliance with the laws in the country in question. The company responsible for recycling the materials should be registered and certified as a waste disposal service in accordance with the country in question.



ATTENTION

Illegal disposal of the product by the owner will result in administrative sanctions as required by current laws. Disposal of the product should comply with current laws on the disposal of coolant liquids and mineral oils.



IMPORTANT

If the crossed wheeled bin sign is not present on the appliance, it means that the disposal of the product is not the manufacturer's responsibility. In this case, the Regulations regarding the disposal of waste in force are valid.



ADDITIONAL INFORMATION

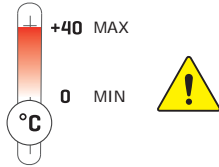
Further information on the disposal of liquid coolant, oils and other substances is available on the safety data sheet corresponding to the substance itself. In order to dispose of foamed assemblies, remember that the polyurethane foams used are CFC, HFC and HCFC free.

8. INSTALLATION

This manual supplies the information necessary for correct unpacking, procedures for positioning and connection to mains electricity.

8.1 STORAGE AND UNPACKING

The appliance, with or without the packaging, should be carefully stored inside warehouses or in areas away from the elements and direct sunlight, at a temperature between **0** and **+40 °C**.



The movement of the apparatus should only be carried out using a fork lift of a suitable power for the weight of the same and manoeuvred by qualified personnel: during such operations the equipment must be positioned on the supplied pallet.

Unplug the appliance from removing the screws that lock the pallet.

All packaging materials are recyclable and should be disposed of in accordance with local regulations. Please destroy "plastic" bags to prevent them from becoming hazardous to children (suffocation).

8.2 ENVIRONMENTAL CONDITIONS

ATTENTION



A dry room that can be ventilated is the suitable location for the appliance's installation. There should be a good air flow around the compressor/condensing unit. Therefore the area around the unit should not be obstructed by boxes or other objects.

Place the equipment away from sources of heat (radiators, heaters of any kind, etc.) and far from the influence of continuous air movement (caused by fans, air conditioning units, etc.). If it is unavoidable to install near a heat source, use a suitable insulating plate,

Also avoid exposure to direct sunlight; all of this causes the temperature inside the refrigerated compartment to rise with negative consequences on operation and energy consumption. Do not use the appliance outdoors and do not leave it exposed to rain.

8.3 ELECTRIC CONNECTION

ATTENTION



Check that the network voltage matches the one displayed on the identification plate of the appliance, and that the power is adequate. Check on the socket that the power supply voltage provides rated voltage ($\pm 10\%$) when you start up the compressor. The plug should be directly connected to the electrical socket. It is forbidden to connect the plug to the socket by means of multiple socket extensions or adaptors. The plant power supply socket must be fitted with a disconnection device from the mains electricity (dimensioned to the load and in compliance with Standards in force), which guarantees complete disconnection in category III (3) over-voltage conditions and therefore protects the circuits against earth faults, overloads and short circuits. Do not route the electricity cable in passageways.



ATTENTION

Earthing is necessary and mandatory by law.

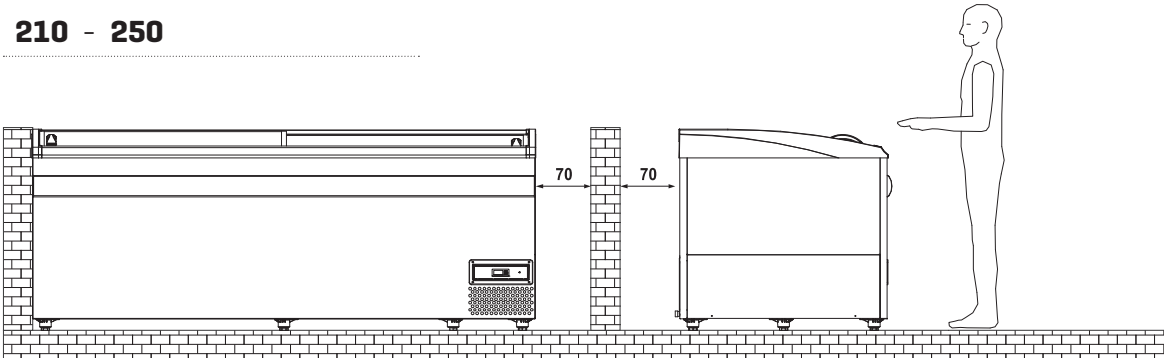
8.4 INSTALLATION - SINGLE MODULE



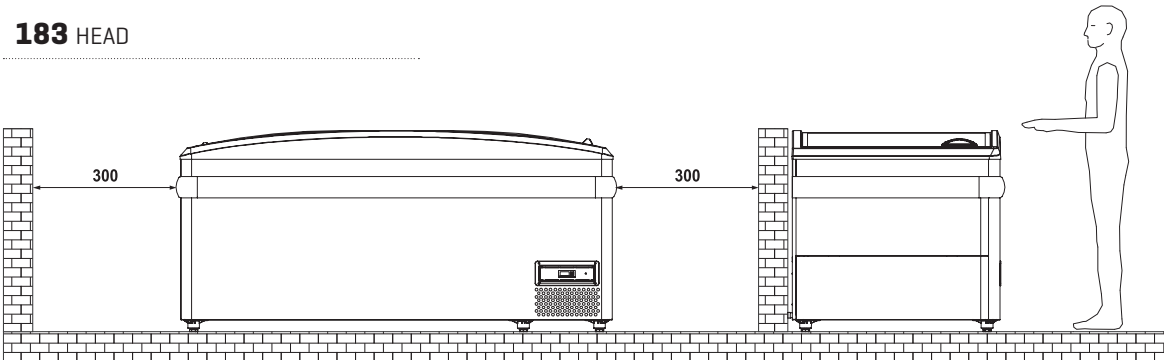
ATTENTION

It is fundamental to respect the distances indicated (mm) for correct installation.

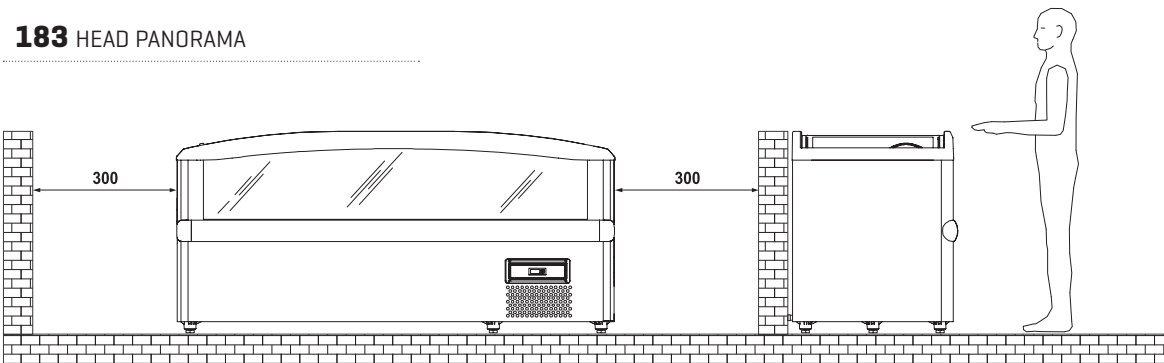
210 - 250



183 HEAD



183 HEAD PANORAMA

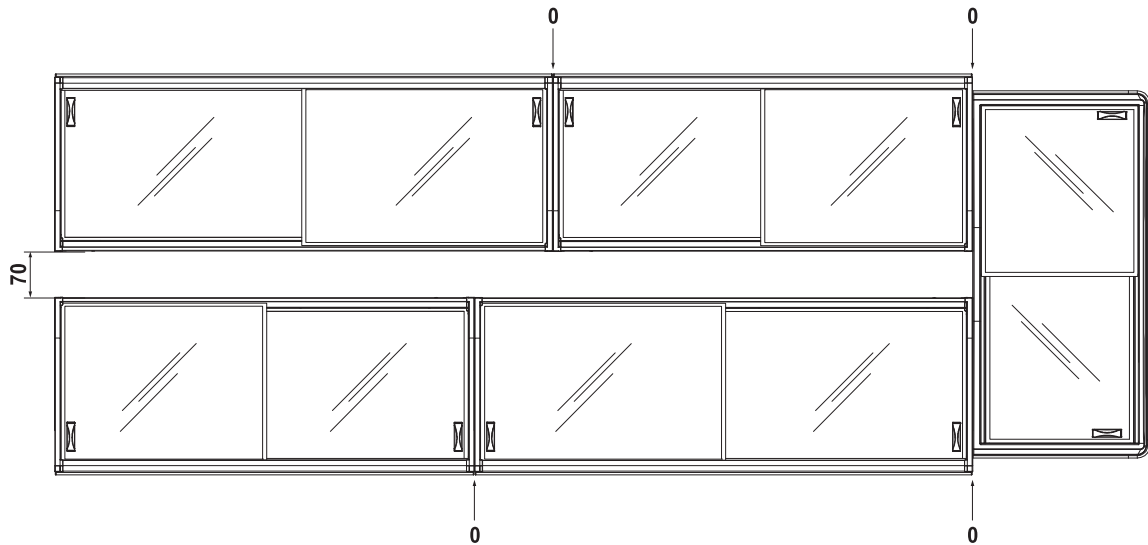


8.5 INSTALLATION - COMBINED MODULES

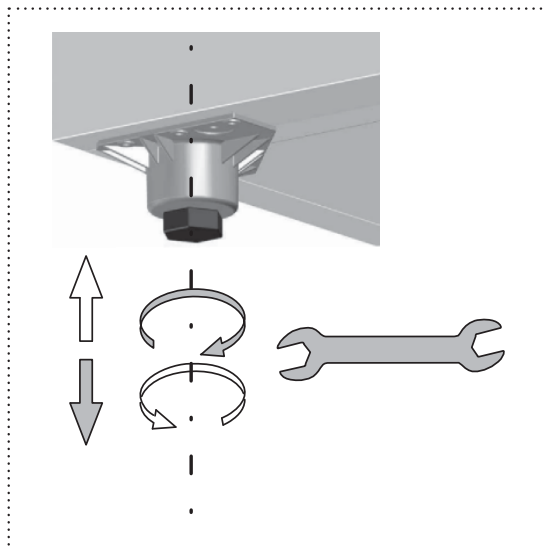


ATTENTION

It is fundamental to respect the distances indicated (mm) for correct installation.



8.6 POSITIONING / LEVELLING

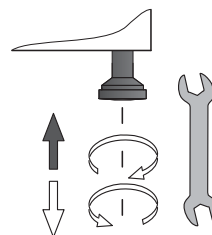


WARNING




HEIGHT ADJUSTABLE FEET

The equipment is set up with adjustable leveling feet in height. It is **absolutely necessary** after placement to level the equipment on the floor.



9. MAINTENANCE

The **Staff in charge of the appliance** must control and respect the expiry dates for maintenance, given in the table below, calling the authorised **Technical After-sales assistance** when indicated.

OPERATION	FREQUENCY				ORDINARY	EXTRAORDINARY	PERSONNEL AUTHORISED
	Depending on the Use and Necessity	Monthly	six-month	Annual			
CLEANING THE EXTERNAL SURFACES	X				X		USER
CLEANING THE ACCESSIBLE INTERNAL PARTS (without the use of tools)	X				X		
CONTROL POWER SUPPLY CABLE, PLUGS AND / OR ELECTRICAL SOCKETS			X		X		
INTEGRITY CONTROL SEAL		X			X		
FILTER CLEANING CONDENSING UNIT (whenever present)			X		X		
CLEANING THE DEFROSTING WATER COLLECTION TRAY	X				X		TECHNICAL ASSISTANCE 
CONDENSER CLEANING	X			X	X		
CHECK COMPRESSORE OIL LEVEL (whenever present)					X		
AIR TANK DRAINING (whenever present)			X		X		
CONTROL PNEUMATIC CONNECTIONS (whenever present)			X		X		
INTEGRITY CONTROL PIPE COOLING SYSTEM			X		X		
INSPECTION OF CABLES INTERNAL CONNECTIONS AND POWER			X		X		
CLEANING CONDENSATE DRYING SPONGES (whenever present)			X		X		
LAMP / LED REPLACEMENT (whenever present)						X	
CONTROL PANEL REPLACING (electronic control unit - thermostat - etc)						X	
REPLACEMENT POWER SUPPLY CABLE, PLUGS AND / OR ELECTRICAL SOCKETS						X	



ATTENTION




After all maintenance it is **mandatory** to perform all electric safety tests in agreement with the IEC EN 50106 Standard.

10. FAULTS - TECHNICAL AFTER-SALES ASSISTANCE

If the appliance is not working properly or stops working, **before contacting** the Customer support centre, check the following:

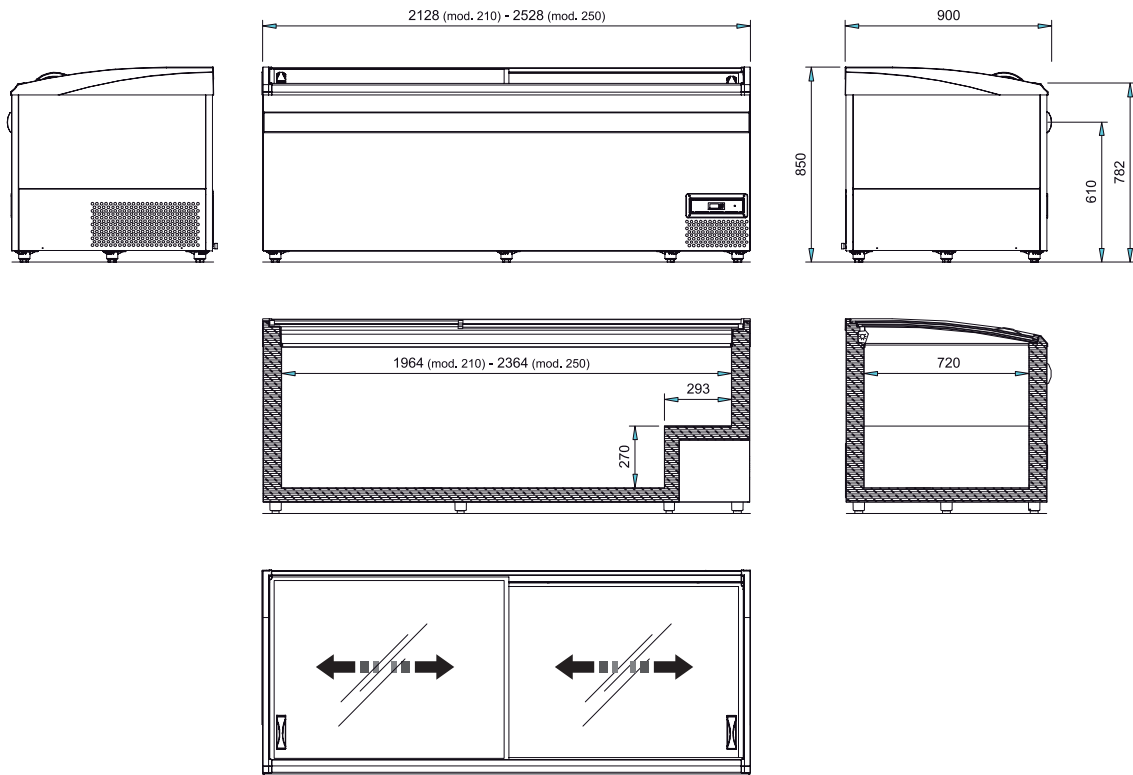
THE EQUIPMENT DOES NOT WORK		
CAUSE	SOLUTION	PERSONNEL AUTHORISED
Blown protective fuse	Find the cause of the intervention of the switch first, and then replace the new fuse.	USER
The master switch is open	Close the master switch.	
The plug is not inserted	Insert the plug.	
Electrical black-out	If the black-out should be prolonged, transfer the product into an appropriate cold storage container.	
THE INTERNAL TEMPERATURE IS NOT LOW ENOUGH		
CAUSE	SOLUTION	PERSONNEL AUTHORISED
Evaporator/s obstructed completely by ice	Carry out an additional defrosting cycle.	USER
Wrong temperature setting	Set the appropriate temperature.	
The appliance is affected by draughts or is exposed to direct or reflected sunlight	Remove any draughts and prevent any direct or reflected sunlight.	
Insufficient air flow for cooling to the condenser	Remove anything that may affect air flow inside the condensing unit (paper sheets, cardboard, grids with an insufficient number of holes, etc.).	
Internal fans at standstill or with fans damage		TECHNICAL ASSISTANCE 
Internal ventilation is too high		
Thermostat / Electrical base unit not efficient	Replace the electronic control board. If the control unit is set up especially for must R290 refrigerant, it must only be replaced with an original replacement from ISA. Replace the temperature probes only after checking which of the two is not operating efficiently.	
Condenser unit blocked by dust or dirt in general.	Clean the condensing unit thoroughly. The air condenser or MAINTENANCE FREE, in particular heavy environments (e.g. presence of dust, the presence of excessive moisture, oiled vapours etc..) in order to avoid performance loss, needs accurate cleaning.	
Insufficient refrigerant load in the cooling system	Find the cause behind the lower amounts of coolant and eliminate it. Top up the coolant. If necessary, empty the system before topping up.	
THE COMPRESSOR DOES NOT START-UP OR OPERATES FOR A FEW MOMENTS		
CAUSE	SOLUTION	PERSONNEL AUTHORISED
No electric power supply to the appliance	Check if there is a power cut. Close the various switches on the power supply line.	USER
Excessively low power voltage	Check that the network voltage of the power supply cable is 220V +/- 10%.	
Temperature set too high	If the temperature is higher than the air temperature in the display chamber, the compressor will not start. Set the suited temperature if the current temperature is not low enough.	
Intervention of the maximum pressure switch (where present)	Check the cause of continuous intervention of the maximum pressure switch, which may be: air condenser blocked, condensing fan stopped, ambient temperature too high, pressure switch defective.	TECHNICAL ASSISTANCE 

10.1 ALARMS LIST (WHERE PRESENT)

ALARMS			
ALARM	DESCRIPTION	OUTPUTS	PERSONNEL AUTHORISED
P1 E0	Broken thermostat probe. Compressor output according to "CO _n " and "COF" parameters.	<ul style="list-style-type: none"> The alarm starts a few seconds after the probe breaks down; it stops a few seconds after the probe starts working again properly. We recommend checking the probe connections before replacing it. 	TECHNICAL ASSISTANCE 
P2 E1	Broken evaporator probe. Set time for defrosting.	<ul style="list-style-type: none"> The alarm starts a few seconds after the probe breaks down; it stops a few seconds after the probe starts working again properly. We recommend checking the probe connections before replacing it. 	
HA HI	High temperature alarm.	<ul style="list-style-type: none"> The alarm stops automatically on reaching the temperature set. Check programming. 	
LA LO	Low temperature alarm.	<ul style="list-style-type: none"> The alarm stops automatically on reaching the temperature set. Check programming. 	
EA IA CB	External alarm.	<ul style="list-style-type: none"> The external alarm stops after the digital in feed is deactivated, it is restored automatically. The alarm is linked to the intervention of the pressure switch and/or the compressor circuit breaker, when present. 	
ETc RTF	Real time clock is broken.	<ul style="list-style-type: none"> Reset the clock. If the alarm does not stop, replace the clock. 	
EE	Machine parameter error.	<ul style="list-style-type: none"> The instrument is damaged. It should be replaced. 	
EF	Parameter error in Operation	<ul style="list-style-type: none"> The instrument is damaged. It should be replaced. 	

11. TECHNICAL SPECIFICATIONS

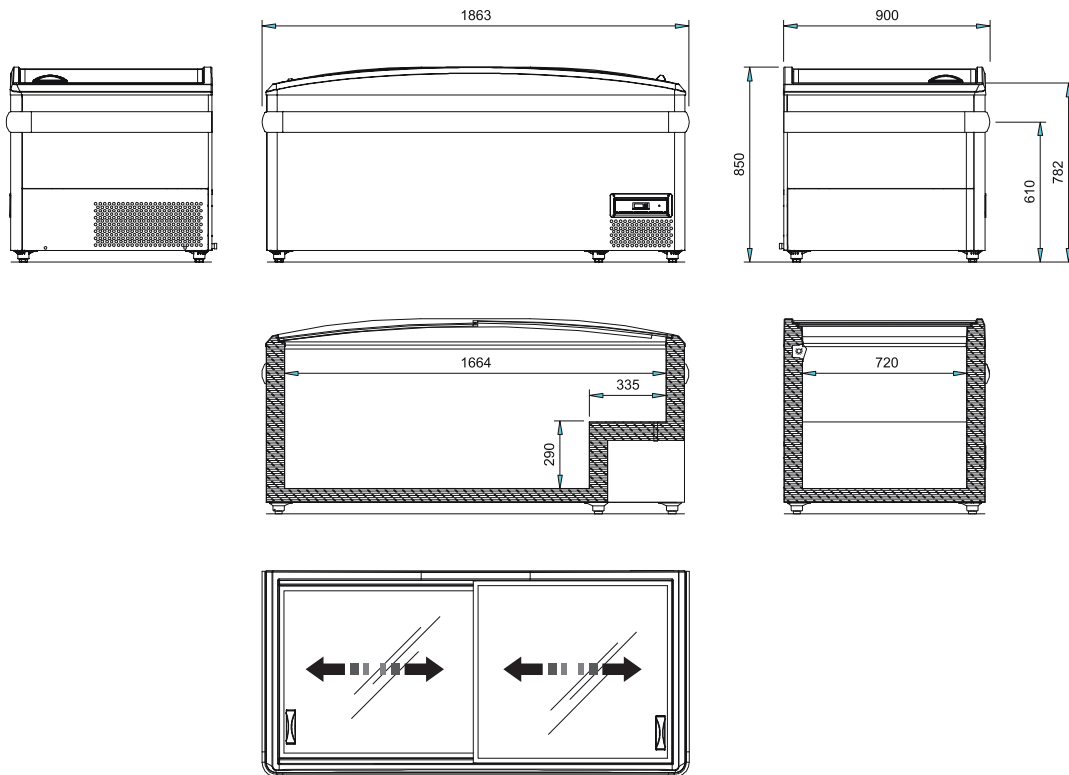
210 - 250



			210	250
External dimensions	Lenght	mm	2128	2528
	Depth	mm	900	
	Height	mm	850	
Weight (net)		Kg	125	149

11. TECHNICAL SPECIFICATIONS

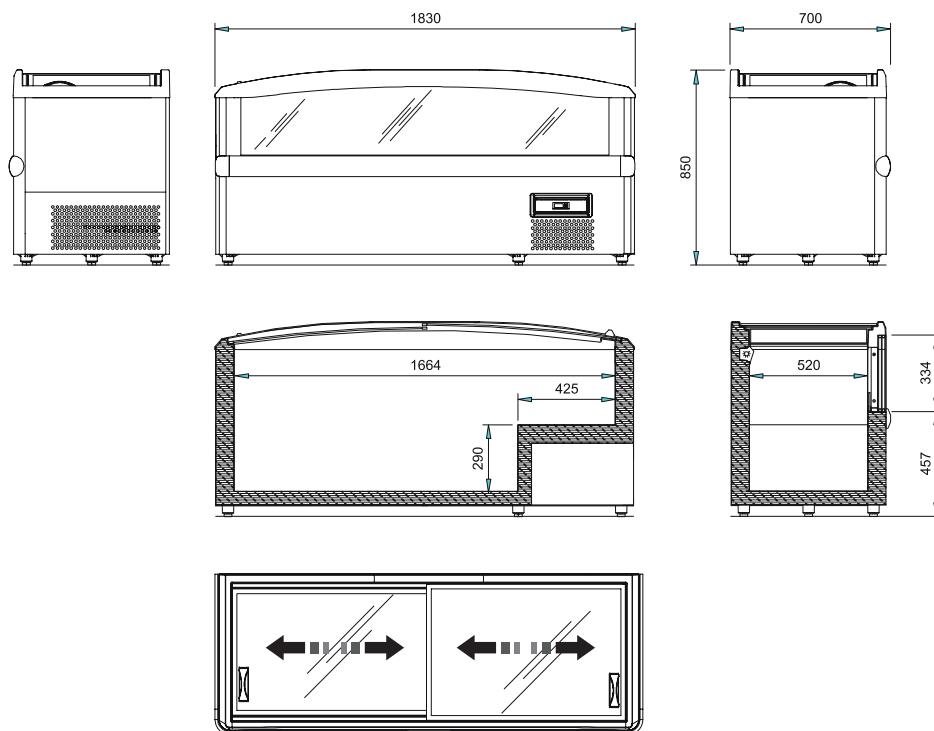
183 HEAD



External dimensions	Lenght	mm	1863
	Depth	mm	900
	Height	mm	850
Weight (net)		Kg	109

11. TECHNICAL SPECIFICATIONS

183 HEAD PANORAMA



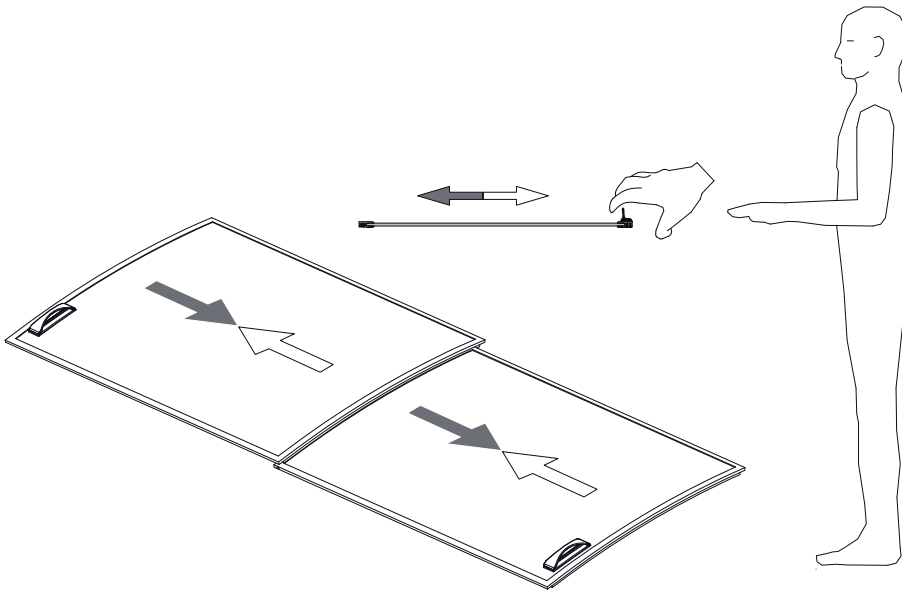
External dimensions	Lenght	mm	1830
	Depth	mm	700
	Height	mm	850
Weight (net)		Kg	109

11.1 OPEN / CLOSE GLASS SLIDING

ATTENTION



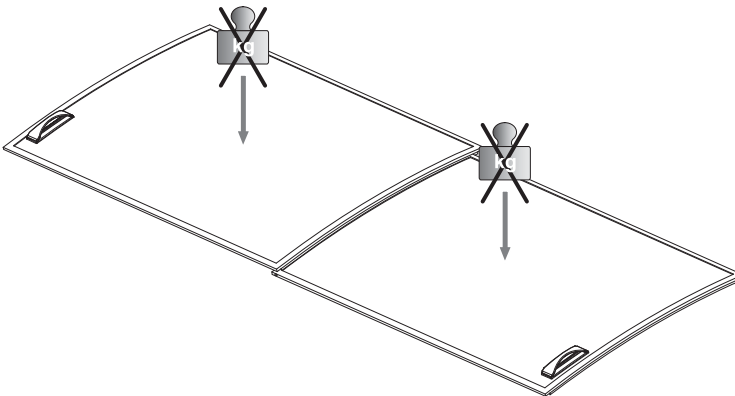
To open and close the compartment exhibition scroll horizontally glass sliding without force and close them manually making sure they are completely closed; improper closure negatively affects performance of the equipment and on the excessive ice buildup on the inner walls.



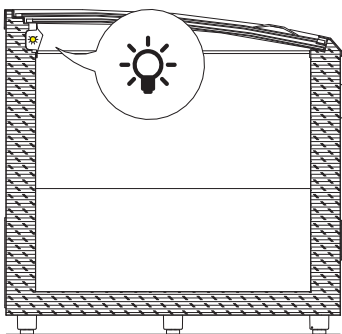
ATTENTION



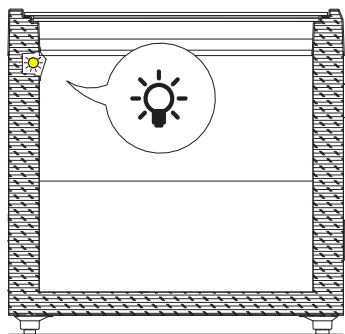
It is absolutely forbidden to place weights on glass surfaces.



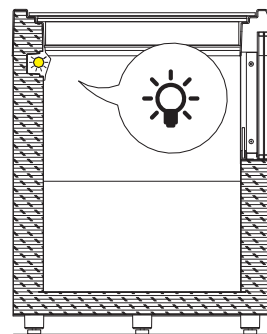
11.2 LIGHTING



210 - 250

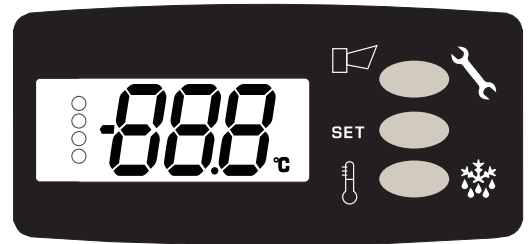


183 HEAD



183 HEAD PANORAMA

12. CONTROL PANEL



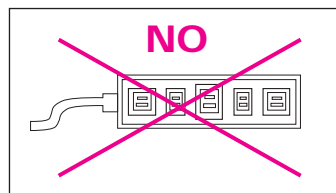
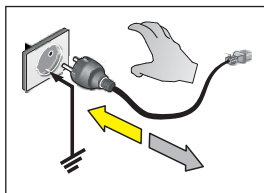
WARNING



The electronic control board is installed already programmed.
Any changes to the control board settings can be carried out exclusively by qualified technical personnel.

START-UP

Plug the appliance in at the socket supplied by the customer, ensuring that the plug is fitted with an earth contact and that there are no multiple sockets connected to it.



The appliance will start working automatically.

12.1 USER INTERFACE - EW978



KEYS



UP
Scrolls menu options
Increases the values
Activates manual defrosting



DOWN
Scrolls menu options
Decreases the values
ON / OFF internal lighting



STAND-BY (ESC)
Goes back up one level with respect to current menu
Confirms parameter value
Activates the Stand-by function



SET (ENTER)
Accesses the Set-point
Accesses the programming menu
Confirm the commandsIt displays any alarms (if present)

LED



COMPRESSOR or RELAY 1
ON for compressor on
Flashing for delay, protection or blocked activation.



ADDITIONAL
ON for defrosting in progress
Flashing for manual activation

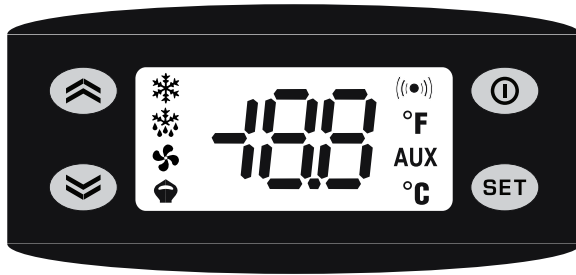


ALARM
ON for active alarm
Flashing for silenced alarm



FANS
ON for operating fans

12.1 USER INTERFACE - EW978



SET-POINT SETTING

SET

Press the button and release immediately.
The "Set" label will appear.
To view the Set-point value, press the button again.
The Set-point value will appear on the display.



To change the Set-point value, press the **UP** or **DOWN** buttons within 15 seconds.

SET

To confirm the new Set-point value set, press the button again.



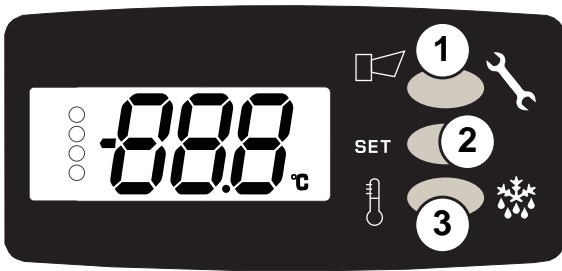
By not operating on the keyboard for more than 15 seconds (time-out) or pressing the button once, the last value displayed is confirmed and you go back to the previous display.

MANUAL ACTIVATION OF THE DEFROSTING CYCLE



To manually activate the defrosting cycle, press and hold the **UP** key for 5 seconds. If defrosting conditions are not present (for instance the temperature of the evaporator probe is higher than the temperature at the end of the defrosting process), the display will flash three (3) times to indicate that the operation will not be performed.

12.2 USER INTERFACE - AK CC 250



KEYS

- 1** If pressed for 5 seconds allows you to enter the programming.
In navigation and allows you to change the values of the parameters slide.
- 2** If pressed for 5 seconds allows you to display the set point.
In the navigation tool to select the parameters and enter the parameter.
- 3** If pressed for 5 seconds allows you to perform a manual defrost.
In navigation and allows you to change the values of the parameters slide.

To enter programming mode and make changes / checks the parameters through the parameters until the parameter r12, r12 = 0 then proceed to set.
Once you have completed any changes / inspections set the parameter r12=1.

13. CLEANING

The materials listed below must be cleaned as follows:

STAINLESS STEEL	Only use warm water and non-aggressive detergents and then rinse and dry using a soft cloth.
ACRYLIC OR POLYCARBONATE	Wash with lukewarm water, using a soft cloth or a chamois cloth. Do not use abrasive cloths or sponges.
GLASS	Only use products specifically designed for cleaning glass. We do not recommend using tap water, which may leave calcium deposits on the surface of the glass.

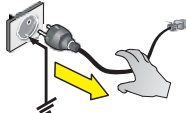
13.1 INTERNAL

ATTENTION



Do not scrape the ice from the walls with pointed tools, the surfaces will be ruined. Do not use high pressure appliances (e.g. steam generators).

1. Remove the product contained in the refrigerated compartment and place it immediately in a special refrigerator conservative to ensure proper storage.
2. Turn off the equipment.



3. Remove accessories manually removable (e.g.. Sliding, grills, ice cream containers, etc).
4. Wait at least 4 to 6 hours, until the ice on the evaporator has melted completely, before proceeding with cleaning operations. We suggest in this regard, you wait for the next day to make sure that the defrosting is completely done. Do not use mechanical devices or other means to accelerate the defrosting process, other than those recommended by the manufacturer.
5. Remove (if present) the drain plug of the tank bottom to drain the defrost water.
6. Clean the side panels and the bottom of the tank using a mild detergent, warm water and a cloth or sponge. Do not use sharp tools. Rinse thoroughly and dry with an absorbent cloth.
7. If the equipment was joined to a floor drain, slide lukewarm water containing a sanitizing solution suited to the specific application. The amount of solution to be used should be such as to ensure a perfect removal of any residual product and proper sanitation along the entire path of the drainage.
8. If the equipment is not joined to a floor drain, follow the procedure referred to above. The rinse water collected in the tank will be positioned inside the base of the apparatus. Clean and disinfect the collection tray.
9. Fit the accessories that were removed (step 3).
10. Turn on the equipment and allow to cool on the bench until it reaches the desired temperature before reintroducing foods.

13.2 CONDENSING UNIT



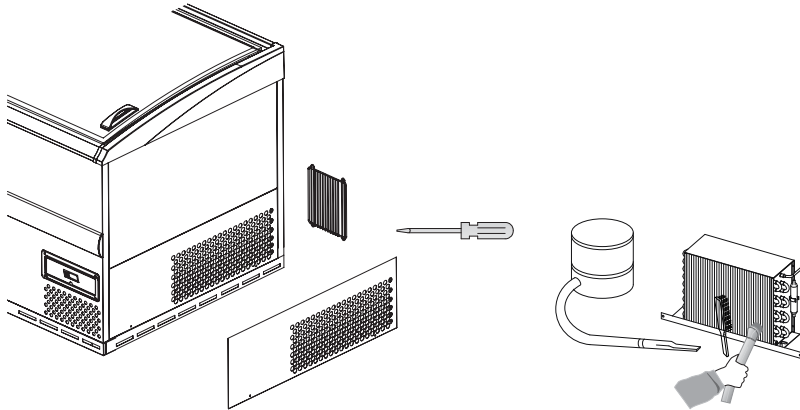
ATTENTION

The condenser although **MAINTENANCE FREE** in particular working environments (eg presence of dust, the presence of excessive moisture, etc..) the performance loss of the equipment needs careful cleaning.

Turn off the product, wait a few hours until the equipment of the condensing unit has reached a temperature close to that of the environment.

Remove the side cover and rear grille as indicated.

Clean the condensing unit using a suction brush.
Clean the condenser with a soft bristle brush.



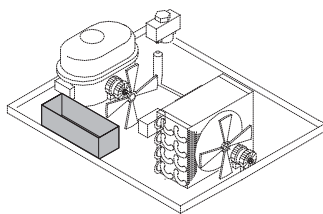
13.3 DEFROST WATER COLLECTION TRAY (IF PRESENT)



ATTENTION

Clean based on use and as needed and in certain environmental conditions (e.g., high humidity, low environmental temperature, presence of dust, etc.) in order to avoid the incorrect and complete evaporation of the water and/or the presence of unpleasant odours.

Sanitise the tray with specific products.

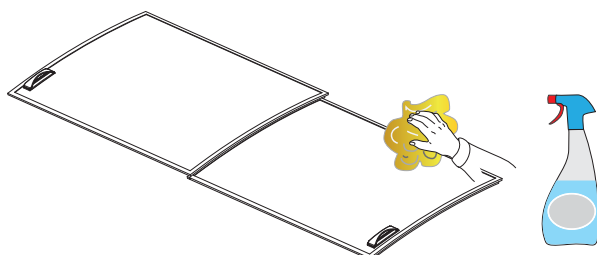


13.4 SLIDING GLASS PANELS



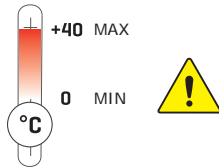
ATTENTION

Slides should be cleaned periodically with a commercial glass cleaner.
To maintain the proper flow dusting and cleaning the chassis daily.

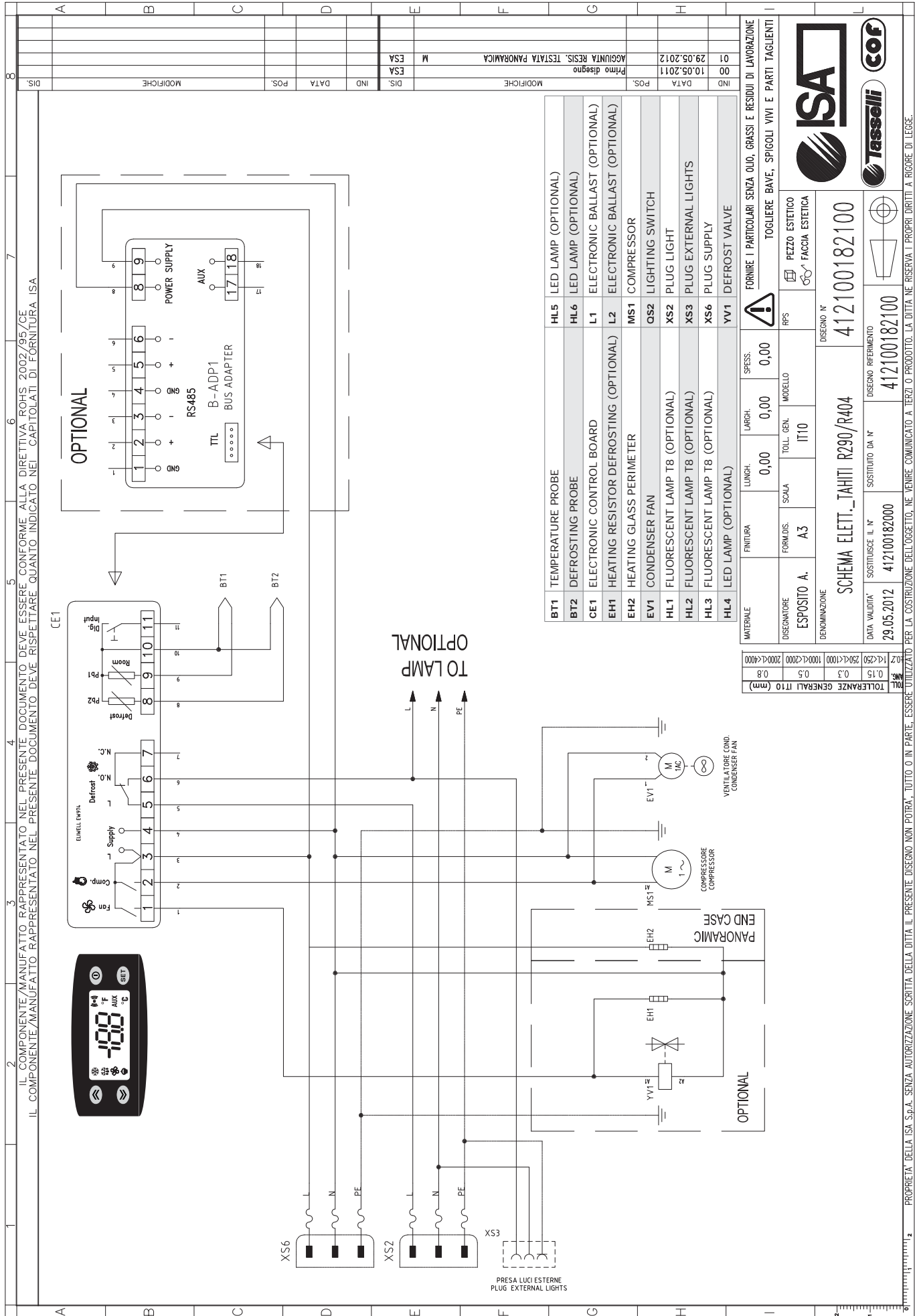


14. PROLONGED APPLIANCE SWITCH-OFF

- Remove the product contained in the refrigerated compartment and place it immediately in a special refrigerator conservative to ensure proper storage.
- Open the equipment and wait for it to reach room temperature and then clean it.
- Leave the door/sliding panels open by 2-3 cm so as to guarantee circulation of the air and prevent the formation of mould and bad smells inside the appliance.
- The appliance, with or without the packaging, should be carefully stored inside warehouses or in areas away from the elements and direct sunlight, at a temperature between **0** and **+40** °C.



1 WIRING DIAGRAM - 412100182100 - 1/2



2 WIRING DIAGRAM - 412100539000 - 2/2

A	B	C	D	E	F	G	H	I	L
0	1	2	3	4	5	6	7	8	9
<p>IL COMPONENTE/MANUFATTO RAPPRESENTATO NEL PRESENTE DOCUMENTO DEVE ESSERE CONFORME ALLA DIRETTIVA ROHS 2002/95/CE IL COMPONENTE/MANUFATTO RAPPRESENTATO NEL PRESENTE DOCUMENTO DEVE RISPETTARE QUANTO INDICATO NEI CAPITOLATI DI FORNITURA ISA</p>									
<div style="display: flex; justify-content: space-around;"> <div style="width: 45%;"> <p style="text-align: center;">MOD.183</p> </div> <div style="width: 45%;"> <p style="text-align: center;">MOD.210-250</p> </div> </div>									
<p style="text-align: right;">MOD.210-250</p>									
<p style="text-align: right;">MOD.183</p>									
<p style="text-align: right;">MOD.210-250</p>									
<p style="text-align: right;">MOD.183</p>									
<p style="text-align: right;">MOD.210-250</p>									
<p style="text-align: right;">MOD.183</p>									
<p style="text-align: right;">MOD.210-250</p>									
<p style="text-align: right;">MOD.183</p>									
<p style="text-align: right;">MOD.210-250</p>									
<p style="text-align: right;">MOD.183</p>									
<p style="text-align: right;">MOD.210-250</p>									
<p style="text-align: right;">MOD.183</p>									
<p style="text-align: right;">MOD.210-250</p>									
<p style="text-align: right;">MOD.183</p>									
<p style="text-align: right;">MOD.210-250</p>									
<p style="text-align: right;">MOD.183</p>									
<p style="text-align: right;">MOD.210-250</p>									
<p style="text-align: right;">MOD.183</p>									
<p style="text-align: right;">MOD.210-250</p>									
<p style="text-align: right;">MOD.183</p>									
<p style="text-align: right;">MOD.210-250</p>									
<p style="text-align: right;">MOD.183</p>									
<p style="text-align: right;">MOD.210-250</p>									
<p style="text-align: right;">MOD.183</p>									
<p style="text-align: right;">MOD.210-250</p>									
<p style="text-align: right;">MOD.183</p>									
<p style="text-align: right;">MOD.210-250</p>									
<p style="text-align: right;">MOD.183</p>									
<p style="text-align: right;">MOD.210-250</p>									
<p style="text-align: right;">MOD.183</p>									
<p style="text-align: right;">MOD.210-250</p>									
<p style="text-align: right;">MOD.183</p>									
<p style="text-align: right;">MOD.210-250</p>									
<p style="text-align: right;">MOD.183</p>									
<p style="text-align: right;">MOD.210-250</p>									
<p style="text-align: right;">MOD.183</p>									
<p style="text-align: right;">MOD.210-250</p>									
<p style="text-align: right;">MOD.183</p>									
<p style="text-align: right;">MOD.210-250</p>									
<p style="text-align: right;">MOD.183</p>									
<p style="text-align: right;">MOD.210-250</p>									
<p style="text-align: right;">MOD.183</p>									
<p style="text-align: right;">MOD.210-250</p>									
<p style="text-align: right;">MOD.183</p>									
<p style="text-align: right;">MOD.210-250</p>									
<p style="text-align: right;">MOD.183</p>									
<p style="text-align: right;">MOD.210-250</p>									
<p style="text-align: right;">MOD.183</p>									
<p style="text-align: right;">MOD.210-250</p>									
<p style="text-align: right;">MOD.183</p>									
<p style="text-align: right;">MOD.210-250</p>									
<p style="text-align: right;">MOD.183</p>									
<p style="text-align: right;">MOD.210-250</p>									
<p style="text-align: right;">MOD.183</p>									
<p style="text-align: right;">MOD.210-250</p>									
<p style="text-align: right;">MOD.183</p>									
<p style="text-align: right;">MOD.210-250</p>									
<p style="text-align: right;">MOD.183</p>									
<p style="text-align: right;">MOD.210-250</p>									
<p style="text-align: right;">MOD.183</p>									
<p style="text-align: right;">MOD.210-250</p>									
<p style="text-align: right;">MOD.183</p>									
<p style="text-align: right;">MOD.210-250</p>									
<p style="text-align: right;">MOD.183</p>									
<p style="text-align: right;">MOD.210-250</p>									
<p style="text-align: right;">MOD.183</p>									
<p style="text-align: right;">MOD.210-250</p>									
<p style="text-align: right;">MOD.183</p>									
<p style="text-align: right;">MOD.210-250</p>									
<p style="text-align: right;">MOD.183</p>									
<p style="text-align: right;">MOD.210-250</p>									
<p style="text-align: right;">MOD.183</p>									
<p style="text-align: right;">MOD.210-250</p>									
<p style="text-align: right;">MOD.183</p>									

3 WIRING DIAGRAM - 412100538000 - 2/2

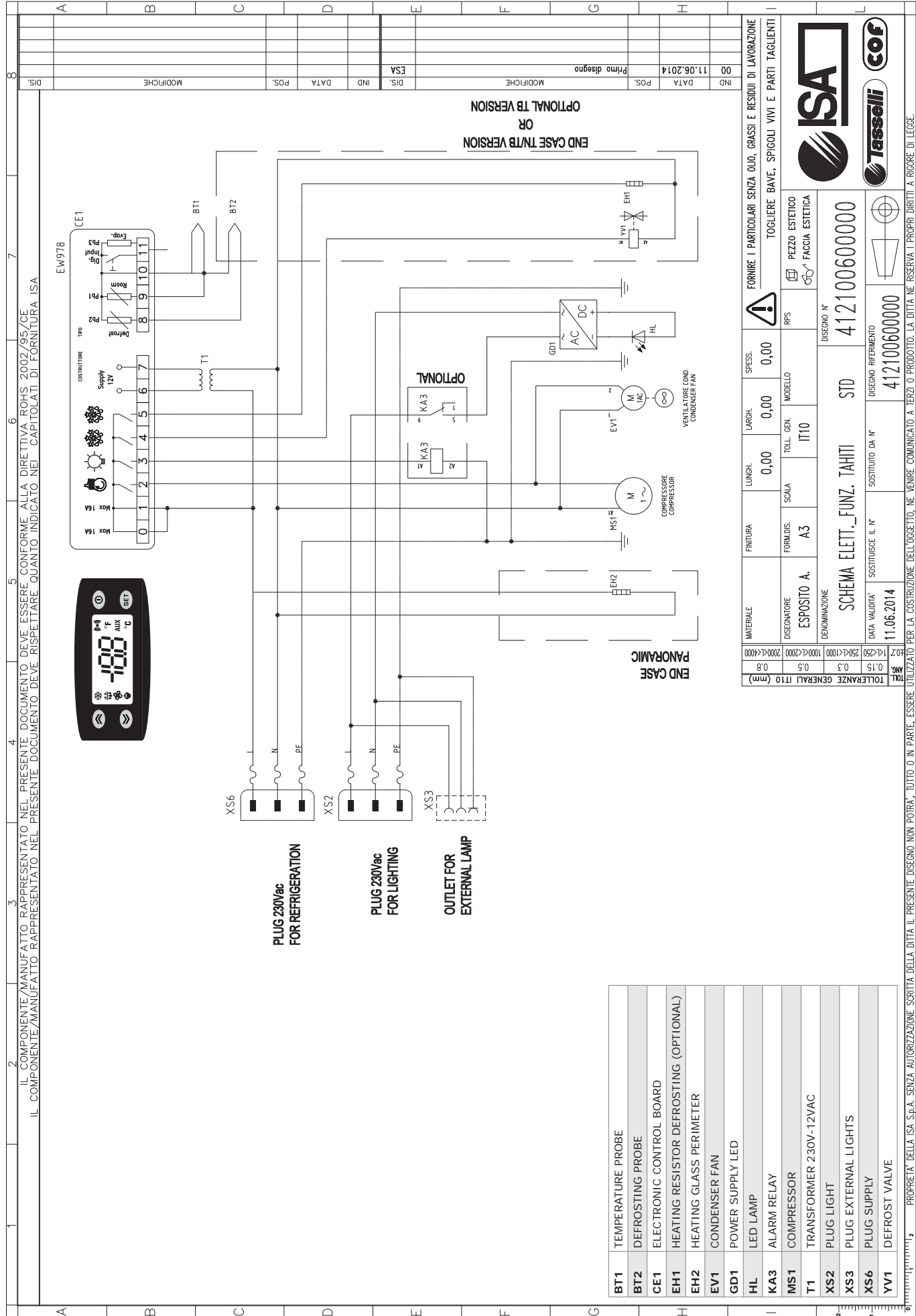
1	2	3	4	5	6	7	8
IL COMPONENTE/MANUFATTO RAPPRESENTATO NEL PRESENTE DOCUMENTO DEVE ESSERE CONFORME ALLA DIRETTIVA ROHS 2002/95/CE IL COMPONENTE/MANUFATTO RAPPRESENTATO NEL PRESENTE DOCUMENTO DEVE RISPETTARE QUANTO INDICATO NEL CAPITOLATO DI FORNITURA ISA							
A	B	C	D	E	F	G	H
<div style="display: flex; justify-content: space-around;"> <div style="text-align: center;"> <p>MOD.183</p> </div> <div style="text-align: center;"> <p>MOD.210-250</p> </div> </div>							
A	B	C	D	E	F	G	H
I	J	K	L				

MATERIALE	FINITURA	LUNGH.	LARGH.	SPESS.	FORNIRE I PARTICOLARI SENZA OLIO, GRASSI E RESIDUI DI LAVORAZIONE TOGLIERE BAVE, SPICCOLI VIVI E PARTI TAGLIANTI
		0,00	0,00	0,00	⚠
DESIGNATORE	FORMIDIS.	SCALA	TOLL. GEN.	MODELLO	RPS
FARINELLI M.	A3		IT10		
DENOMINAZIONE					
SC.ELET.FUNZ.TAHITI TN R290/R404 EW974P					
DATA VALIDITA'	SOSTITUISCE IL N°	DESIGNO N°		DESIGNO RIFERIMENTO	
29.05.2013		412100538000		412100538000	
TOLLERANZE GENERALI IT10 (mm)					
±0.2	±0.15	±0.3	±0.5	±0.8	±1.0

IND	DATA	POS.	MODIFICHE	IND	DATA	POS.	MODIFICHE
00	29.05.2013		Primo disegno				
FAM							
DIS.							
POS.							
MODIFICHE							

1	2	3	4	5	6	7	8
PROPRIETA' DELLA ISA S.p.A. SENZA AUTORIZZAZIONE SCRITTA DELLA DITTA IL PRESENTE DISEGNO NON POTRA' TUTTO O IN PARTE, ESSERE UTILIZZATO PER LA COSTRUZIONE DELL'OGGETTO, NE VENIRE COMUNICATO A TERZI O PRODOTTO. LA DITTA NE RISERVA I PROPRI DIRITTI A RICORRE DI LEGGE.							

4 WIRING DIAGRAM - 412100600000 - 1/2



MATERIALE	FINITURA	LUNGH.	LARGH.	SPESS.	FORNIRE I PARTICOLARI SENZA OLIO, GRASSI E RESIDUI DI LAVORAZIONE
ESPOSITO A.	FORMIDIS.	SCALA	TOLL. GEN.	MODELLO	TOGLIERE BAVE, SPICCOLI VIVI E PARTI TAGLIANTI
DENOMINAZIONE	ESPOSITO A.	A3	IT10	RPS	PEZZO ESTETICO
DATA VALIDITA'	SOSTITUISCE IL N°	11.06.2014	SOSTITUITO DA N°	412100600000	FACCIA ESTETICA
TOLLERANZE GENERALI IT10 (mm)	DISEGNO N°	412100600000	DISEGNO RIFERIMENTO	412100600000	
0.8					
0.5					
0.3					
0.15					
0.07					
1.00					
2.00					
250<1-1000					
1000<1-2000					
2000<1-4000					



PROPRIETA' DELLA ISA S.p.A. SENZA AUTORIZZAZIONE SCRITTA DELLA DITTA IL PRESENTE DISEGNO NON POTRA' TUTTO O IN PARTE, ESSERE UTILIZZATO PER LA COSTRUZIONE DELL'OGGETTO, NE' VENIRE COMUNICATO A TERZI O PRODOTTO. LA DITTA NE RISERVA I PROPRI DIRITTI A RIGORE DI LEGGE.

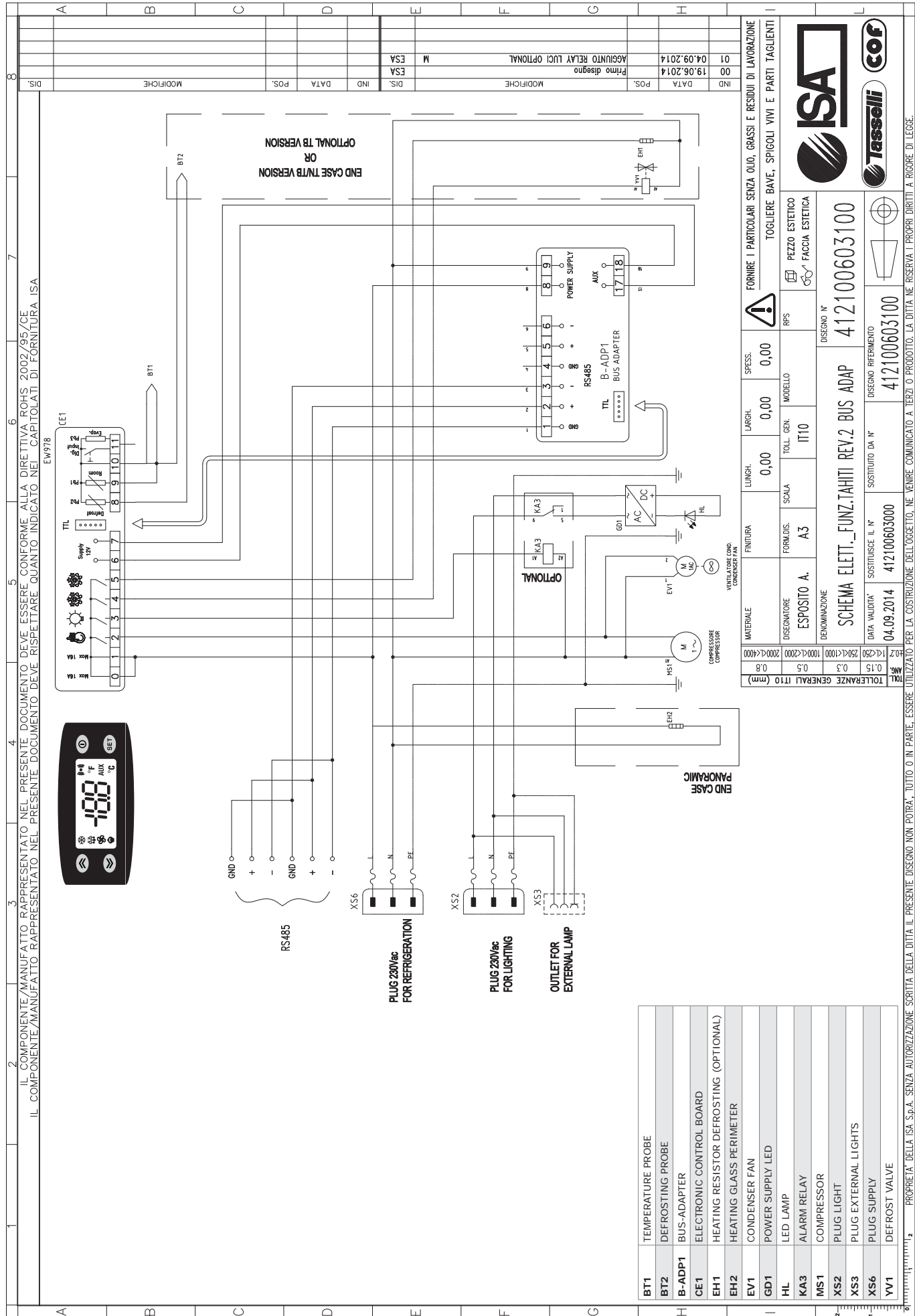
BT1	TEMPERATURE PROBE
BT2	DEFROSTING PROBE
CE1	ELECTRONIC CONTROL BOARD
EH1	HEATING RESISTOR DEFROSTING (OPTIONAL)
EH2	HEATING GLASS PERIMETER
EV1	CONDENSER FAN
GD1	POWER SUPPLY LED
HL	LED LAMP
KA3	ALARM RELAY
MS1	COMPRESSOR
T1	TRANSFORMER 230V-12VAC
XS2	PLUG LIGHT
XS3	PLUG EXTERNAL LIGHTS
XS6	PLUG SUPPLY
YV1	DEFROST VALVE

4 WIRING DIAGRAM - 412100600000 - 2/2

1	2	3	4	5	6	7	8
<p style="text-align: center;">OPTIONAL</p> <p style="text-align: center;">TO OUTLET FOR EXTERNAL LAMP</p>							
<p>IND 00 11.06.2014 Primo disegno</p> <p>MODIFICHE</p> <p>DIS. ESA</p> <p>IND</p> <p>DATA</p> <p>POS.</p> <p>MODIFICHE</p>							

MATERIALE	FINITURA	LUNGH.	LARGH.	SPESS.	FORNIRE I PARTICOLARI SENZA OLIO, GRASSI E RESIDUI DI LAVORAZIONE TOGLIERE BAVE, SPICCOLI VIVI E PARTI TAGLIANTI
GD2	LED POWER SUPPLY	0,00	0,00	0,00	
HL1	LED LAMP	0,00	0,00	0,00	
XS3	EXTERNAL LIGHT PLUGS	0,00	0,00	0,00	
DISEGNATORE ESPOSITO A.		FORM.DIS. A3	TOLL. GEN. IT10	MODELLO	RPS PEZZO ESTETICO FACCIA ESTETICA
DENOMINAZIONE SCHEMA ELETT._FUNZ. TAHITI		STD		DISEGNO N° 412100600000	
DATA VALIDITA' 11.06.2014	SOSTITUISCE IL N°	SOSTITUITO DA N°		DISEGNO RIFERIMENTO 412100600000	

5 WIRING DIAGRAM - 412100603100 - 1/2



01	04.09.2014	AGGIUNTO RELAY LUCI OPTIONAL	MODIFICHE	DIS.	ESA
00	19.08.2014	Primo disegno	MODIFICHE	DIS.	ESA
IN DATA POS. MODIFICHE IND. DATA POS. MODIFICHE DIS.					

MATERIALE	FINITURA	LUNGH.	LARGH.	SPES.	FORNIRE I PARTICOLARI SENZA OLIO, GRASSI E RESIDUI DI LAVORAZIONE TOGLIERE BAVE, SPICOLI VIVI E PARTI TAGLIANTI	
ESPOSITO A.	FORMIDIS.	SCALA	TOLL. GEN.	MODELLO	RPS	TOGLIERE BAVE, SPICOLI VIVI E PARTI TAGLIANTI PEZZO ESTETICO FACCE ESTETICA
DENOMINAZIONE SCHEMA Elett._FUNZ.TAHITI REV.2 BUS ADAP						
DATA VALIDITA'	SOSTITUISCE IL N°	DISEGNO RIFERIMENTO		DISEGNO N°		
04.09.2014	412100603000	412100603100		412100603100		
PROPRIETA' DELLA ISA S.p.A. SENZA AUTORIZZAZIONE SCRITTA DELLA DITTA IL PRESENTE DISEGNO NON POTRA' TUTTO O IN PARTE, ESSERE UTILIZZATO PER LA COSTRUZIONE DELL'OGGETTO, NE' VENIRE COMUNICATO A TERZI O PRODOTTO. LA DITTA NE RISERVA I PROPRI DIRITTI A RICORDO DI LEGGE.						



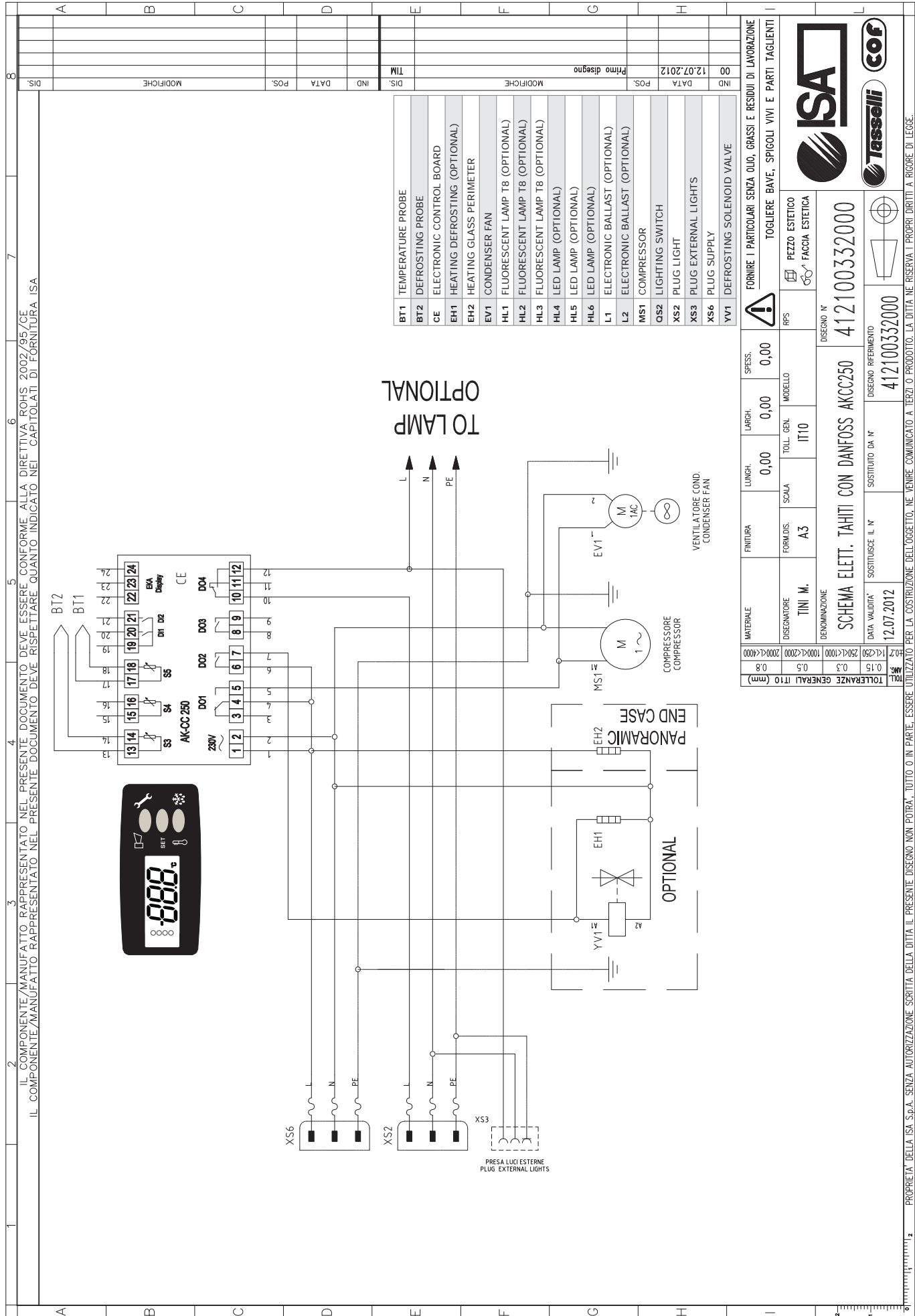
5 WIRING DIAGRAM - 412100603100 - 2/2

1	2	3	4	5	6	7	8	9	0
<p>IL COMPONENTE/MANUFATTO RAPPRESENTATO NEL PRESENTE DOCUMENTO DEVE ESSERE CONFORME ALLA DIRETTIVA ROHS 2002/95/CE IL COMPONENTE/MANUFATTO RAPPRESENTATO NEL PRESENTE DOCUMENTO DEVE RISPETTARE QUANTO INDICATO NEI CAPITOLATI DI FORNITURA ISA</p>									
A	B	C	D	E	F	G	H	I	L
<p style="font-size: 2em; font-weight: bold;">OPTIONAL</p> <p style="text-align: center; font-weight: bold;">TO OUTLET FOR EXTERNAL LAMP</p>									
A	B	C	D	E	F	G	H	I	L

MATERIALE	FINITURA	LUNGH.	LARGH.	SPES.	! FORNIRE I PARTICOLARI SENZA OLIO, GRASSI E RESIDUI DI LAVORAZIONE TOGLIERE BAVE, SPIGOLI VIVI E PARTI TAGLIANTI				
GD2	LED POWER SUPPLY	0,00	0,00	0,00					
HL1	LED LAMP								
XS3	EXTERNAL LIGHT PLUGS								
DISEGNATORE ESPOSITO A.					RPS PEZZO ESTETICO FACCIA ESTETICA				
DENOMINAZIONE SCHEMA ELETT. FUNZ. TAHITI BUS ADAP					DISEGNO N° 412100603100				
DATA VALIDITA' 04.09.2014					DISEGNO RIFERIMENTO 412100603100				
SOSTITUISCE IL N° 412100603000					SOSTITUITO DA N° 412100603100				

IND	DATA	POS.	MODIFICHE	DIS.	IND	DATA	POS.	MODIFICHE	DIS.
00	19.06.2014		Primo disegno	ESA					
01	04.09.2014		AGGIUNTO RELAY LUCI OPTIONAL	M					

1	2	3	4	5	6	7	8	9	
PROPRIETA' DELLA ISA S.p.A. SENZA AUTORIZZAZIONE SCRITTA DELLA DITTA IL PRESENTE DISEGNO NON POTRA' TUTTO O IN PARTE, ESSERE UTILIZZATO PER LA COSTRUZIONE DELL'OGGETTO, NE' VENIRE COMUNICATO A TERZI O PRODOTTO. LA DITTA NE RISERVA I PROPRI DIRITTI A RICORRE DI LEGGE.									



BT1	TEMPERATURE PROBE
BT2	DEFROSTING PROBE
CE	ELECTRONIC CONTROL BOARD
EH1	HEATING DEFROSTING (OPTIONAL)
EH2	HEATING GLASS PERIMETER
EV1	CONDENSER FAN
HL1	FLUORESCENT LAMP T8 (OPTIONAL)
HL2	FLUORESCENT LAMP T8 (OPTIONAL)
HL3	FLUORESCENT LAMP T8 (OPTIONAL)
HL4	LED LAMP (OPTIONAL)
HL5	LED LAMP (OPTIONAL)
HL6	LED LAMP (OPTIONAL)
L1	ELECTRONIC BALLAST (OPTIONAL)
L2	ELECTRONIC BALLAST (OPTIONAL)
MS1	COMPRESSOR
OS2	LIGHTING SWITCH
XS2	PLUG LIGHT
XS3	PLUG EXTERNAL LIGHTS
XS6	PLUG SUPPLY
YV1	DEFROSTING SOLENOID VALVE

00	12.07.2012	DATA	Primo disegno	IND	MODIFICHE
01		POS.		IND	MODIFICHE
02		DATA		IND	MODIFICHE
03		POS.		IND	MODIFICHE
04		DATA		IND	MODIFICHE
05		POS.		IND	MODIFICHE
06		DATA		IND	MODIFICHE
07		POS.		IND	MODIFICHE
08		DATA		IND	MODIFICHE
09		POS.		IND	MODIFICHE
10		DATA		IND	MODIFICHE
11		POS.		IND	MODIFICHE
12		DATA		IND	MODIFICHE

MATERIALE		FINITURA	LUNGH.	LARGH.	SPESS.	FORNIRE I PARTICOLARI SENZA OLIO, GRASSI E RESIDUI DI LAVORAZIONE		
DISEGNATORE		FORMDIS.	SCALA	TOLL. GEN.	MODELLO	TOGLIERE BAVE, SPIGOLI VIVI E PARTI TAGLIANTI		
TINI M.		A3		IT10		RFS		
DENOMINAZIONE		SCHEMA ELETT. TAHITI CON DANFOSS AKCC250					DISEGNO N°	
DATA VALIDITA'		SOSTITUISCE IL N°	DISEGNO RIFERIMENTO			412100332000		
12.07.2012			412100332000			PEZZO ESTETICO		
TOLLERANZE GENERALI T10 (mm)		FACCIA ESTETICA					COF	
0.15							ISA	
0.3								
0.5								
1.0								
2.0								
3.0								
4.0								
5.0								
6.0								
7.0								
8.0								
10.0								
12.0								

PROPRIETA' DELLA ISA S.p.A. SENZA AUTORIZZAZIONE SCRITTA DELLA DITTA IL PRESENTE DISEGNO NON POTRA' TUTTO O IN PARTE, ESSERE UTILIZZATO PER LA COSTRUZIONE DELL'OGGETTO, NE' VENIRE COMUNICATO A TERZI O PRODOTTO. LA DITTA NE RISERVA I PROPRI DIRITTI A RICORRE DI LEGGE.

6 WIRING DIAGRAM - 412100332000 - 2/2

A	B	C	D	E	F	G	H	I	L
0	1	2	3	4	5	6	7	8	9
DIS.	MODIFICHE	MODIFICHE	MODIFICHE	MODIFICHE	MODIFICHE	MODIFICHE	MODIFICHE	MODIFICHE	MODIFICHE
00	12.07.2012	Primo disegno	TIM	DIS.	IND	DATA	POS.	IND	DATA

MOD.183

MOD.210-250

MOD.183

MOD.210-250

MOD.210-250

MOD.210-250

MATERIALE	LUNGHEZZA	LARGHEZZA	SPESSEZZA	FORNIRE I PARTICOLARI SENZA OLIO, GRASSI E RESIDUI DI LAVORAZIONE
	0,00	0,00	0,00	TOGLIERE BAYE, SPICOLI VIVI E PARTI TAGLIANTI
DESIGNATORE	FORM.DIS.	SCALA	TOLL. GEN.	PEZZO ESTETICO
TINI M.	A3	IT10	IT10	FACCIA ESTETICA
DENOMINAZIONE				
SCHEMA Elett. TAHITI CON DANFOSS AKCC250				
DATA VALIDITA'	SOSTITUISCE IL N°	SOSTITUITO DA N°	DESIGNO N°	
12.07.2012			412100332000	
TOLLERANZE GENERALI IT10 (mm)				
±0.2	±0.15	±0.3	±0.5	±0.8

HL1	FLUORESCENT LAMP T8 (OPTIONAL)
HL2	FLUORESCENT LAMP T8 (OPTIONAL)
HL3	FLUORESCENT LAMP T8 (OPTIONAL)
HL4	LED LAMP (OPTIONAL)
HL5	LED LAMP (OPTIONAL)
HL6	LED LAMP (OPTIONAL)

IL COMPONENTE/MANUFATTO RAPPRESENTATO NEL PRESENTE DOCUMENTO DEVE ESSERE CONFORME ALLA DIRETTIVA ROHS 2002/95/CE

IL COMPONENTE/MANUFATTO RAPPRESENTATO NEL PRESENTE DOCUMENTO DEVE RISPETTARE QUANTO INDICATO NEL CAPITOLATO DI FORNITURA ISA

FORMARE I PARTICOLARI SENZA OLIO, GRASSI E RESIDUI DI LAVORAZIONE

TOGLIERE BAYE, SPICOLI VIVI E PARTI TAGLIANTI

PEZZO ESTETICO

FACCIA ESTETICA

SCHEMA Elett. TAHITI CON DANFOSS AKCC250

DESIGNO N° 412100332000

SOSTITUISCE IL N°

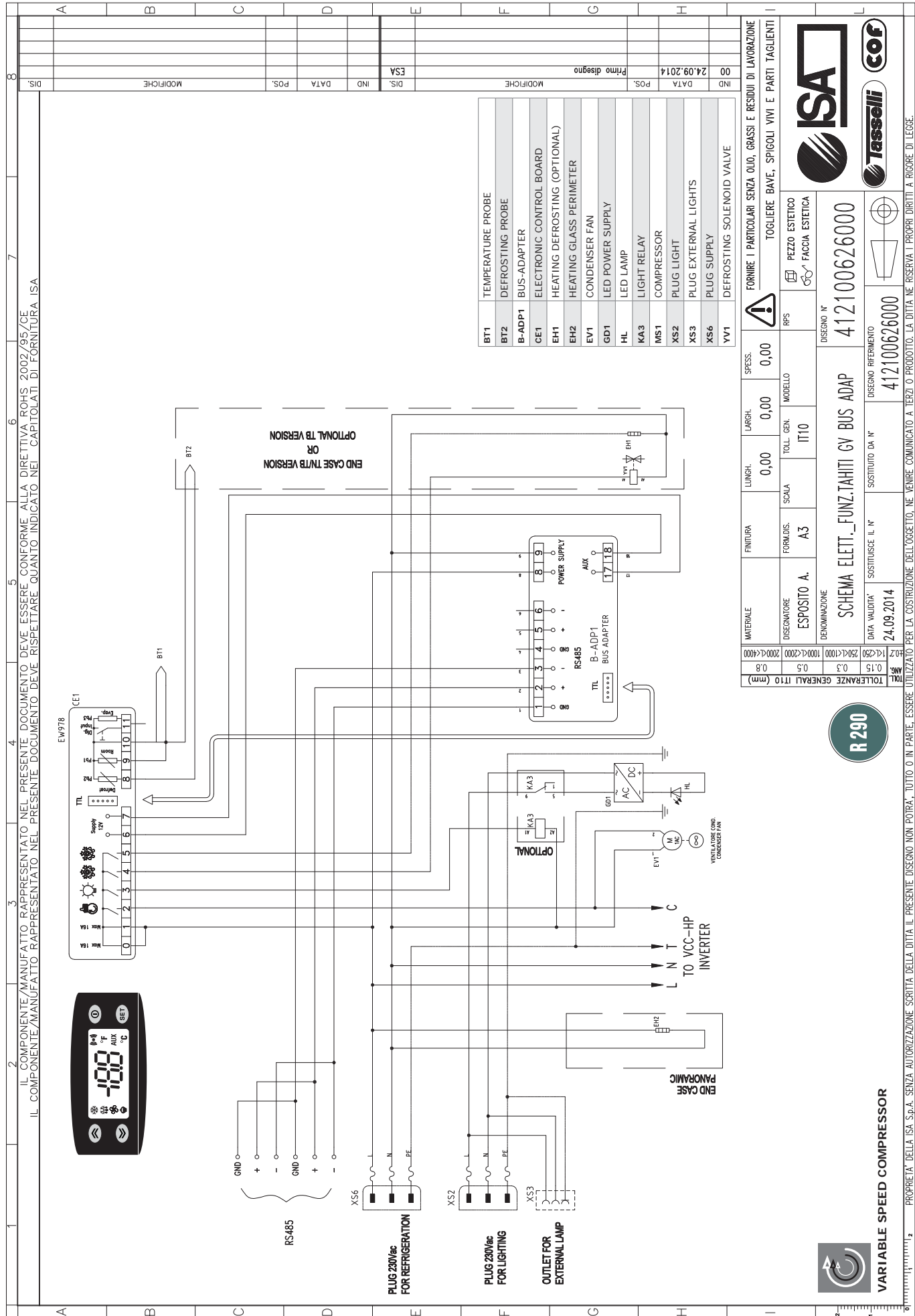
SOSTITUITO DA N°

DESIGNO RIFERIMENTO

412100332000

PROPRIETA' DELLA ISA S.p.A. SENZA AUTORIZZAZIONE SCRITTA DELLA DITTA IL PRESENTE DISEGNO NON POTRA' TUTTO O IN PARTE, ESSERE UTILIZZATO PER LA COSTRUZIONE DELL'OGGETTO, NE VENIRE COMUNICATO A TERZI O PRODOTTO. LA DITTA NE RISERVA I PROPRI DIRITTI A RICORRE DI LEGGE.

7 WIRING DIAGRAM - 412100626000 - 1/3



BT1	TEMPERATURE PROBE
BT2	DEFROSTING PROBE
B-ADP1	BUS-ADAPTER
CE1	ELECTRONIC CONTROL BOARD
EH1	HEATING DEFROSTING (OPTIONAL)
EH2	HEATING GLASS PERIMETER
EV1	CONDENSER FAN
GD1	LED POWER SUPPLY
HL	LED LAMP
KA3	LIGHT RELAY
MS1	COMPRESSOR
XS2	PLUG LIGHT
XS3	PLUG EXTERNAL LIGHTS
XS6	PLUG SUPPLY
YV1	DEFROSTING SOLENOID VALVE

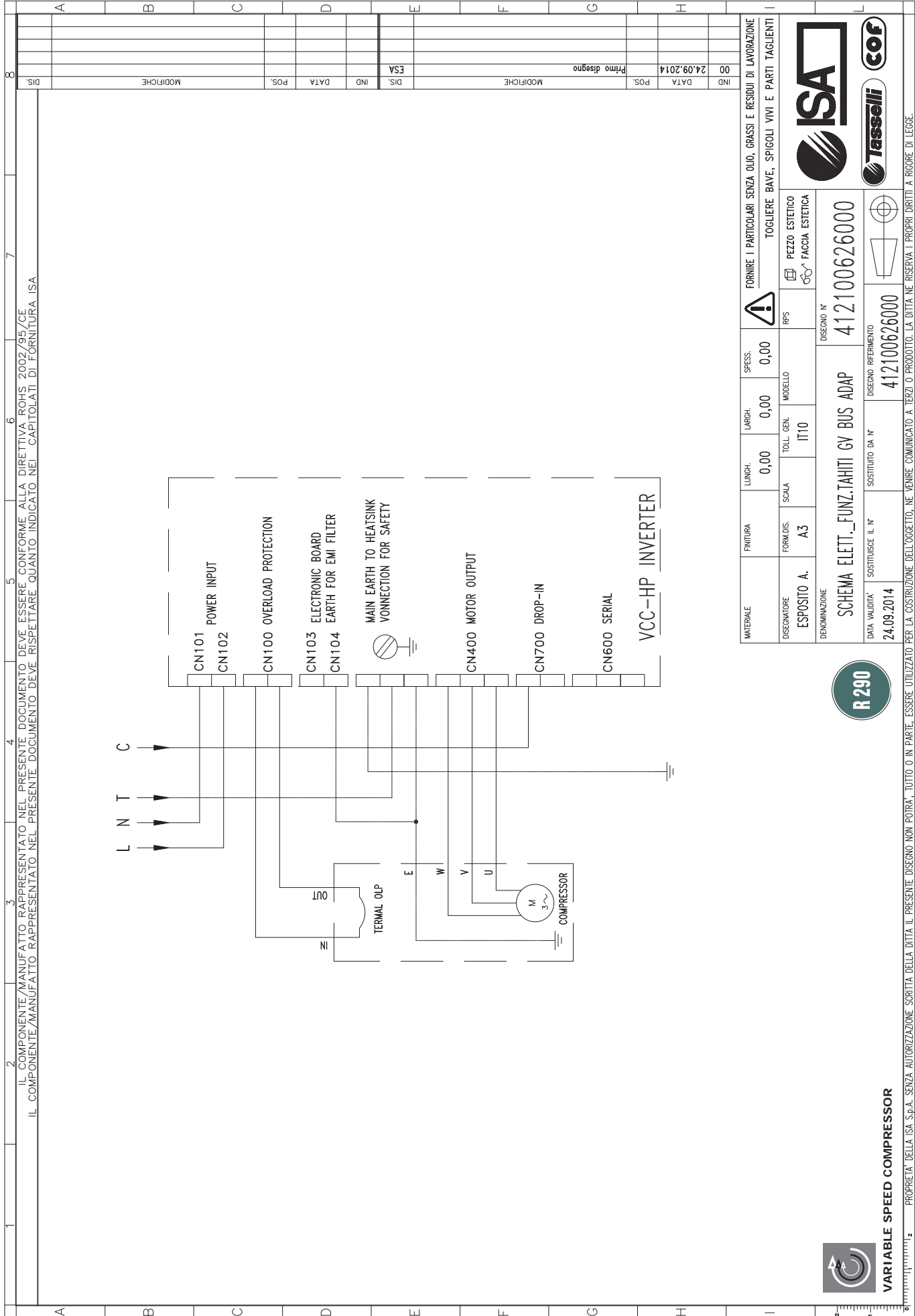
MATERIALE	FINITURA	LUNGH.	LARGH.	SPES.	FORNIRE I PARTICOLARI SENZA OLIO, GRASSI E RESIDUI DI LAVORAZIONE
0,8	0,8	0,00	0,00	0,00	TOGLIERE BAVE, SPICOLI VIVI E PARTI TAGLIANTI
ESPOSITO A.	FORMIDIS.	SCALA	TOLL. GEN.	MODELLO	RPS
A3	A3	IT10	IT10		PEZZO ESTETICO
DENOMINAZIONE		DISEGNO N°		FACCIA ESTETICA	
SCHEMA ELETT._FUNZ.TAHTI GV BUS ADAP		412100626000			
DATA VALIDITA'	SOSTITUISCE IL N°	DISEGNO RIFERIMENTO			
24.09.2014		412100626000			
TOLLERANZE GENERALI IT10 (mm)		DISEGNO N°			
0,15	0,3	412100626000			
0,20	0,5				
0,25	1,00				
1,00	2,00				
2,00	4,00				



VARIABLE SPEED COMPRESSOR

PROPRIETA' DELLA ISA S.p.A. SENZA AUTORIZZAZIONE SCRITTA DELLA DITTA IL PRESENTE DISEGNO NON POTRA' TUTTO O IN PARTE, ESSERE UTILIZZATO PER LA COSTRUZIONE DELL'OGGETTO, NE' VENIRE COMUNICATO A TERZI O PRODOTTO. LA DITTA NE RISERVA I PROPRI DIRITTI A RICORDO DI LEGGE.

7 WIRING DIAGRAM - 412100626000 - 2/3



1 IL COMPONENTE/MANUFATTO RAPPRESENTATO NEL PRESENTE DOCUMENTO DEVE ESSERE CONFORME ALLA DIRETTIVA ROHS 2002/95/CE
 2 IL COMPONENTE/MANUFATTO RAPPRESENTATO NEL PRESENTE DOCUMENTO DEVE RISPETTARE QUANTO INDICATO NEL CAPITOLATO DI FORNITURA ISA
 3
 4
 5
 6
 7
 8

IND	00	DATA	24.09.2014	MODIFICHE	Primo disegno
POS.					
IND		DIS.	ESA	MODIFICHE	
POS.					
		DATA		MODIFICHE	
		IND		MODIFICHE	
		POS.		MODIFICHE	
		MODIFICHE			

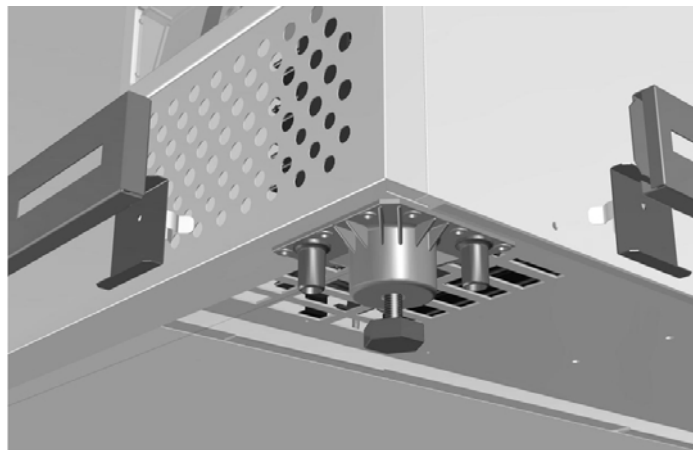
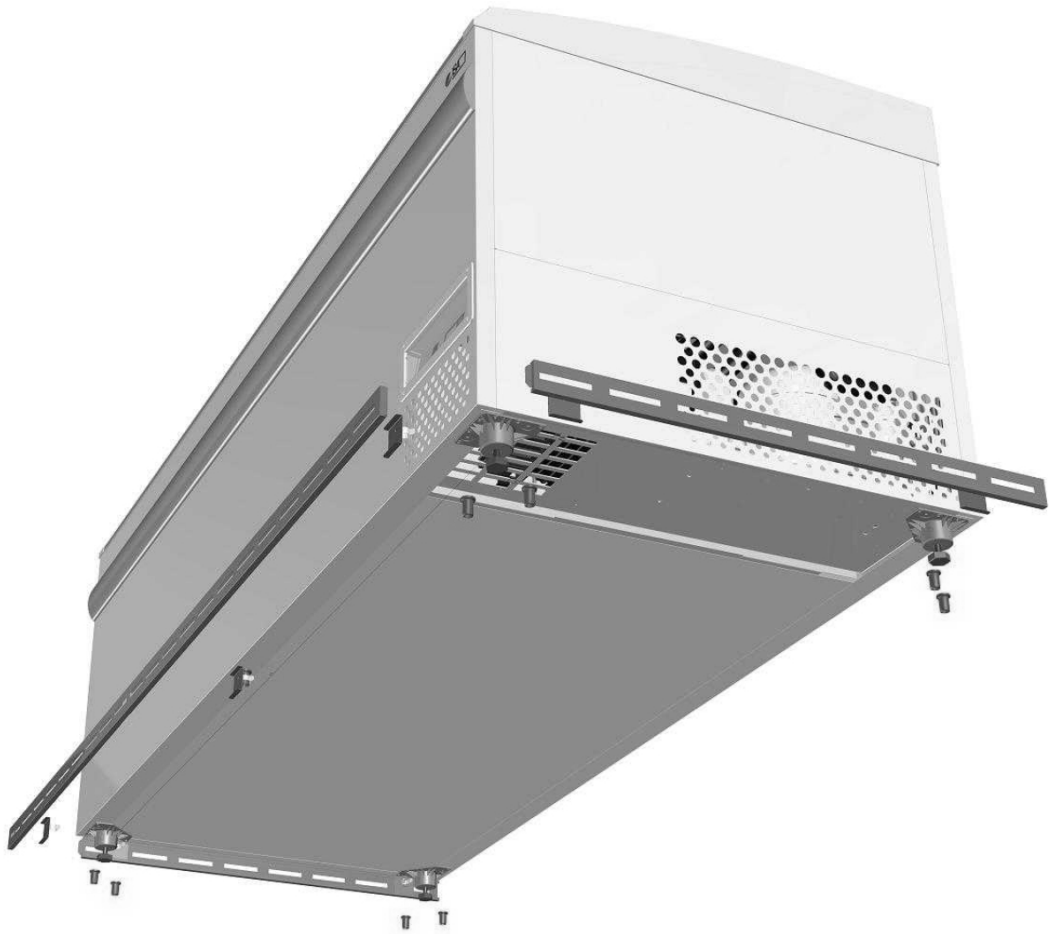
MATERIALE	FINITURA	LUNGH.	LARGH.	SPESS.	FORNIRE I PARTICOLARI SENZA OLIO, GRASSI E RESIDUI DI LAVORAZIONE	
DESIGNATORE	FORMDIS.	SCALA	TOLL. GEN.	MODELLO	TOGLIERE BAVE, SPICCOLI VIVI E PARTI TAGLIANTI	
ESPOSITO A.	A3		IT10		PEZZO ESTETICO	
DENOMINAZIONE		DISEGNO N°		FACCIA ESTETICA		
SCHEMA Elett._FUNZ.TAHITI GV BUS ADAP		412100626000		RPS		
DATA VALIDITA'	SOSTITUISCE IL N°	DISEGNO RIFERIMENTO		TOGLIERE BAVE, SPICCOLI VIVI E PARTI TAGLIANTI		
24.09.2014		412100626000		FACCIA ESTETICA		

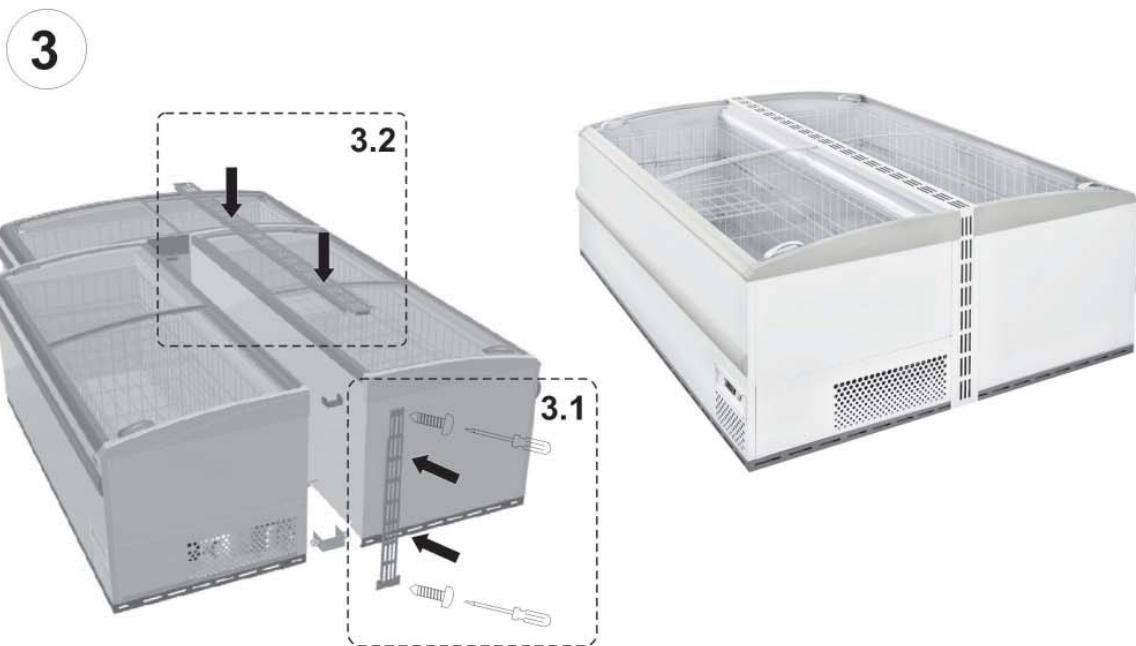
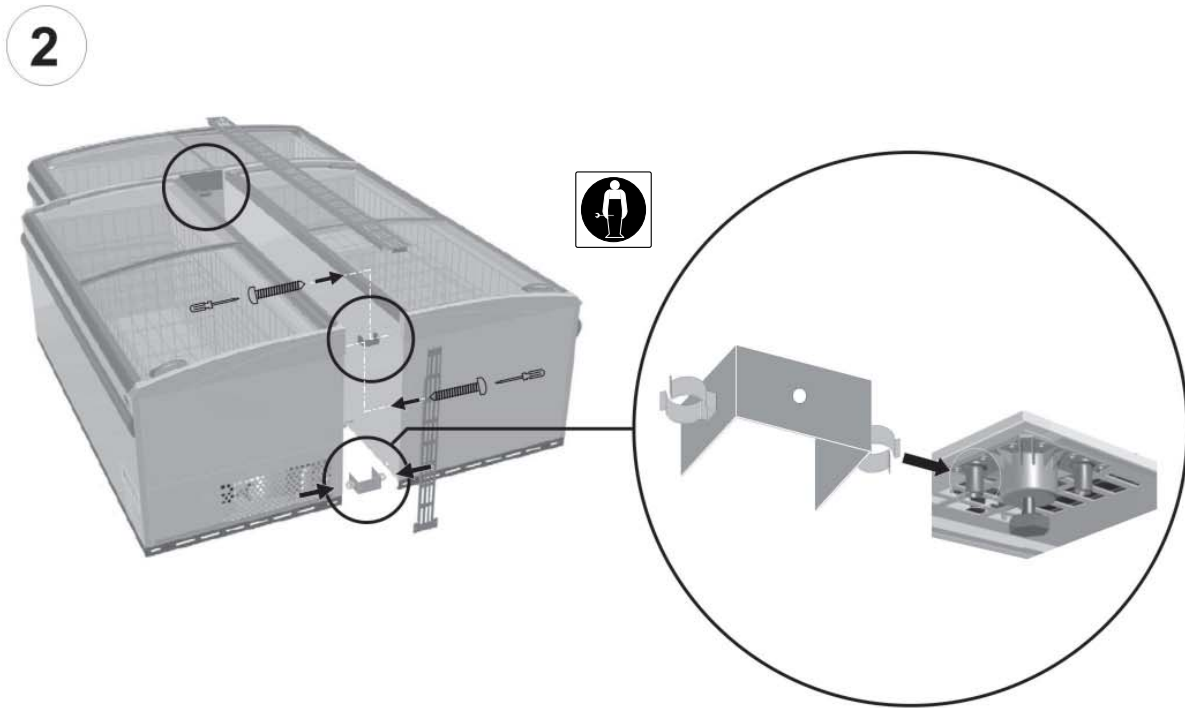
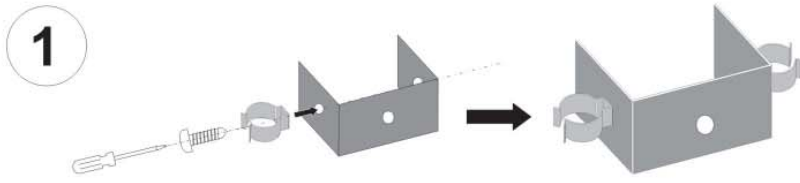


VARIABLE SPEED COMPRESSOR

PROPRIETA' DELLA ISA S.p.A. SENZA AUTORIZZAZIONE SCRITTA DELLA DITTA IL PRESENTE DISEGNO NON POTRA' TUTTO O IN PARTE, ESSERE UTILIZZATO PER LA COSTRUZIONE DELL'OGGETTO, NE' VENIRE COMUNICATO A TERZI O PRODOTTO. LA DITTA NE RISERVA I PROPRI DIRITTI A RICORRE DI LEGGE.

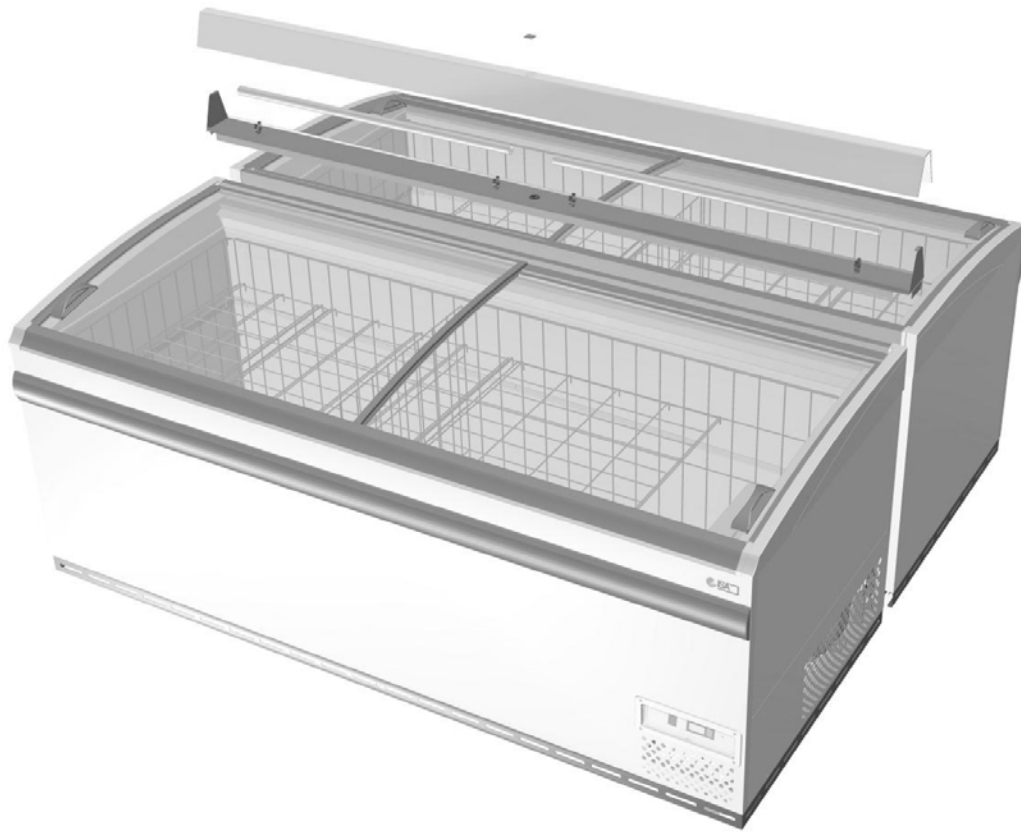
8 BASE BOARD KIT







11 EXTERNAL LIGHTING KIT



12 UPPER SHELF KIT





ISA

Bastia Umbra - Perugia
Italy

Tel. +39 075 80171
Fax +39 075 8000900

www.isaitaly.com