

DUNAVOX

INSTRUCTION MANUAL

Model Number:

DX-16.46K/DX-20.62K/DX-28.88K
DX-30.80DK/DX-46.128DK/DX-54.150DK

Wine Cooler



(Photo: DX-28.88K)

CAUTION!

BEFORE USE, PLEASE READ AND FOLLOW ALL SAFETY RULES AND OPERATING INSTRUCTIONS.

TABLE OF CONTENTS

1. WINE COOLER SAFETY	3
2. IMPORTANT SAFEGUIDES	4
3. PARTS & FEATURES	6
4. IMPORTANT SAFETY INSTRUCTIONS	7
5. INSTALLATION INSTRUCTIONS	7
5.1. BEFORE USING YOUR WINE COOLER	7
5.2. INSTALLATION OF YOUR WINE COOLER	8
5.3. ELECTRICAL CONNECTION	8
5.4. EXTENSION CORD	9
6. OPERATING YOUR WINE COOLER	9
6.1. SPECIAL NOTICE	9
6.2. CONTROL PANEL (DX-16.46K, DX-20.62K, DX-28.88K)	9
6.3. CONTROL PANEL (DX-30.80DK, DX-46.128DK, DX-54.150DK)	10
6.4. CONTROL PANEL LOCK (ALL MODELS), ON/OFF SWITCH (DX-30.80DK, DX-46.128DK, DX-54.150DK)	10
6.5. STORAGE CAPACITY	10
7. CARE AND MAINTENANCE	11
7.1. DEFROSTING YOUR WINE COOLER	11
7.2. CLEANING YOUR WINE COOLER	11
7.3. VACATION TIME	11
7.4. MOVING YOUR WINE COOLER	11
7.5. ENERGY SAVING TIPS	11
8. PROBLEMS WITH YOUR WINE COOLER?	12
9. WIRING DIAGRAM	13
10. TECHNICAL DATA	13

THIS PRODUCT IS DESIGNED FOR WINE STORAGE ONLY.

1. WINE COOLER SAFETY

YOUR SAFETY AND THE SAFETY OF OTHERS ARE VERY IMPORTANT.

We have provided many important safety messages in this manual for your appliance. Always read and obey all safety messages.



This is the Safety Alert Symbol. This symbol alerts you to potential hazards that can kill or injure you and others. All safety messages will follow the Safety Alert Symbol and either the words „**DANGER**”, „**WARNING**” or „**CAUTION**”.



DANGER means that failure to heed this safety statement may result in severe personal injury or death.



WARNING means that failure to heed this safety statement may result in extensive product damage, serious personal injury, or death.



CAUTION means that failure to heed this safety statement may result in minor or moderate personal injury, property or equipment damage.

All safety messages will alert you to know what the potential hazard is, tell you how to reduce the chance of injury, and let you know what can happen if the instructions are not followed.

2. IMPORTANT SAFEGUIDES



Before the Wine Cooler is used, it must be properly positioned and installed as described in this manual, so read the manual carefully. To reduce the risk of fire, electrical shock or injury when using the Wine Cooler, follow basic precautions, including the following:



- Plug into a grounded 3-prong outlet, do not remove grounding prong, do not use an adapter, and do not use an extension cord.
- It is recommended that a separate circuit, serving only your Wine Cooler be provided. Use receptacles that cannot be turned off by a switch or pull chain.
- Never clean Wine Cooler parts with flammable fluids. These fumes can create a fire hazard or explosion. And do not store or use gasoline or other flammable vapors and liquids in the vicinity of this or any other appliance. The fumes can create a fire hazard or explosion.
- Before proceeding with cleaning and maintenance operations, make sure the power line of the unit is disconnected.
- Do not connect or disconnect the electric plug when your hands are wet.
- Unplug the Wine Cooler or disconnect power before cleaning or servicing. Failure to do so can result in electrical shock or death.
- Do not attempt to repair or replace any part of your Wine Cooler unless it is specifically recommended in this manual. All other servicing should be referred to a qualified technician.

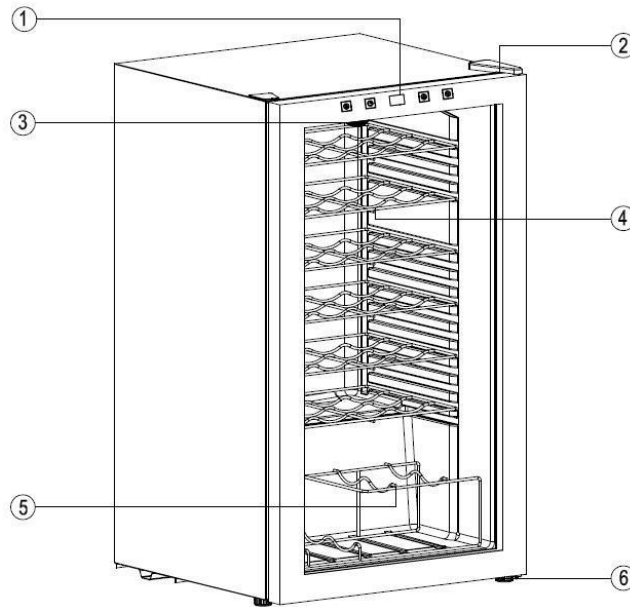


FOLLOW WARNING CALL OUTS BELOW ONLY WHEN APPLICABLE TO YOUR MODEL

- Use two or more people to move and install Wine Cooler. Failure to do so can result in back or other injury.
- To ensure proper ventilation for your Wine Cooler, the front of the unit must be completely unobstructed. Choose a well-ventilated area with temperatures above 60°F (16°C) and below 90°F (32°C). This unit must be installed in an area protected from the elements, such as wind, rain, water spray or drips.
- The Wine Cooler should not be located next to ovens, grills or other sources of high heat.
- The Wine Cooler must be installed with all electrical, water and drain connections in accordance with state and local codes. A standard electrical supply (220-240V AC only, 50 Hz), properly grounded in accordance with the National Electrical Code and local codes and ordinances is required.

- Do not kink or pinch the power supply cord of Wine Cooler.
- The fuse (or circuit breaker) size should be 15 amperes.
- It is important for the Wine Cooler to be leveled in order to work properly. You may need to make several adjustments to level it.
- All installation must be in accordance with local plumbing code requirements.
- Make certain that the pipes are not pinched or kinked or damaged during installation.
- Check for leaks after connection.
- Never allow children to operate, play with or crawl inside the Wine Cooler.
- Although the unit has been tested at the factory, due to long-term transit and storage, the first batch of cubes must be discarded.
- Do not use solvent-based cleaning agents or abrasives on the interior. These cleaners may damage or discolor the interior.
- Do not use this apparatus for other than its intended purpose.
- This appliance is not intended for use by persons (including children) with reduced physical, sensory or mental capabilities, or lack of experience and knowledge, unless they have been given supervision or instruction concerning use of the appliance by a person responsible for their safety.
- Do not use the appliance if the plug, the mains cord or the appliance itself is damaged. If the mains cord is damaged, you must have it replaced by the manufacturer, or an authorized service centre or similarly qualified persons in order to avoid a hazard.
- Children should be supervised to ensure that they do not play with the appliance. Keep the mains cord out of the reach of children. Do not let the mains cord hang over the edge of the table or worktop on which the appliance stands.

3. PARTS & FEATURES



(drawing for reference only)

1	Control Panel	4	SHELF
2	Hinge Cover	5	DISPLAY SHELF
3	LED Light	6	LEG

4. IMPORTANT SAFETY INSTRUCTIONS

WARNING

To reduce the risk of fire, electrical shock, or injury when using your appliance, follow these basic precautions:

- Read all instructions before using the Wine Cooler.
- **DANGER or WARNING:** Risk of child entrapment.
Child entrapment and suffocation are not problems of the past. Junked or abandoned appliances are still dangerous . . . even if they will “just sit in the garage a few days”.
- **Before you throw away your old Wine Cooler:** Take off the door. Leave the shelves in place so that children may not easily climb inside.
- Never allow children to operate, play with, or crawl inside the appliance.
- Never clean appliance parts with flammable fluids. The fumes can create a fire hazard or explosion.
- Do not store or use gasoline or any other flammable vapors and liquids in the vicinity of this or any other appliance. The fumes can create a fire hazard or explosion.
- Do not repair or replace any part of the Wine Cooler or attempt any servicing unless specifically recommended in the user-maintenance instructions or in published user-repair instructions. Replace the fuse with the same type.

- Save these instructions -

5. INSTALLATION INSTRUCTIONS

5.1. Before Using Your Wine Cooler

- Remove the exterior and interior packing.
- Check to be sure you have all of the following parts:
 - Wooden or chrome shelves
 - Instruction Manual
- Clean the interior surface with lukewarm water using a soft cloth.

5.2. Installation of Your Wine Cooler

- This Wine Cooler is designed to be free standing installation or built under counter.
- Place your Wine Cooler on a surface that is strong enough to support it when it is fully loaded.
- Allow 1-5 cm of space between the back and sides of the Wine Cooler, which allows the proper air circulation to cool the heat sink.
- Locate the Wine Cooler away from direct sunlight and sources of heat (stove, heater, radiator, etc.). Direct sunlight may affect the acrylic coating and heat sources may increase electrical consumption. Extreme cold ambient temperatures may also cause the unit not to perform properly.
- Avoid locating the unit in moist areas.
- Plug the Wine Cooler into an exclusive, properly installed-grounded wall outlet. Do not under any circumstances cut or remove the third (ground) prong from the power cord. Any questions concerning power and/or grounding should be directed toward a certified electrician or an authorized service center.
- After plugging the Wine Cooler into a wall outlet, allow the unit to cool down for 2-3 hours before placing any items in the compartment.
- Rest the wine cooler for 24 hours after transportation.

5.3. Electrical Connection

Warning

Improper use of the grounded plug can result in the risk of electrical shock. If the power cord is damaged, have it replaced by an authorized service center.

- This appliance should be properly grounded for your safety. The power cord of this appliance is equipped with a three-prong plug which mates with standard three prong wall outlets to minimize the possibility of electrical shock.
- Do not under any circumstances cut or remove the third ground prong from the power cord supplied. For personal safety, this appliance must be properly grounded.
- This appliance requires a standard 220-240 Volt AC / 50Hz electrical ground outlet with three-prong. Have the wall outlet and circuit checked by a qualified electrician to make sure the outlet is properly grounded. When a standard 2-prong wall outlet is encountered, it is your responsibility and obligation to have it replaced with a properly grounded 3-prong wall outlet.
- The cord should be secured behind the appliance and not left exposed or dangling to prevent accidental injury.
- The appliance should always be plugged into its own individual electrical outlet which has a voltage rating that matches the rating label on the appliance. This provides the best performance and also prevent overloading house wiring circuits that could cause a fire hazard from overheated. Never unplug the appliance by pulling the power cord. Always grip the plug firmly and pull straight out from the receptacle. Repair or replace immediately all power cords that have become frayed or otherwise damaged. Do not use a cord that shows cracks or abrasion damage along its length or at either end. When moving the appliance, be careful not to damage the power cord.

5.4. Extension Cord

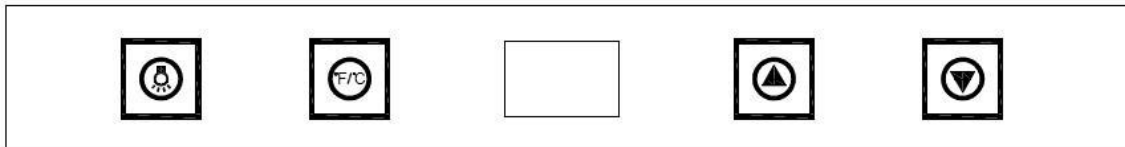
Because of potential safety hazards under certain conditions, it is strongly recommended that you do not use an extension cord with this appliance. However, if you must use an extension cord it is absolutely necessary that it be a 3-wire grounding type appliance extension cord having a grounding type plug and outlet and that the electrical rating of the cord be 220-240 volts and at least 10 amperes.

6. OPERATING YOUR WINE COOLER

6.1. Special Notice

- When you use the Wine cooler for the first time or restart it after having been shut off for a long time, there could be a few degrees variance between the temperature you set and the one indicated on the LED readout. This is normal and it is due to the length of the activation time. Once the Wine Cooler is running for a few hours, everything will be back to normal.
- The Wine Cooler should be placed in a position where the ambient temperature is between 16~32°C/60~90°F. If the ambient temperature is above or below this range, the performance of the unit may be affected. For example, placing your unit in extreme cold or hot conditions may cause interior temperatures to fluctuate. The range of 4~18°C/39~64°F (5~18°C/41~64°F for duo zone models) may not be reached

6.2. Control Panel (DX-16.46K, DX-20.62K, DX-28.88K)



LIGHT

To turn the inner light on/off.



UP

You could increase the set temperature 1 °C or 1 °F by pressing this mark.



DOWN

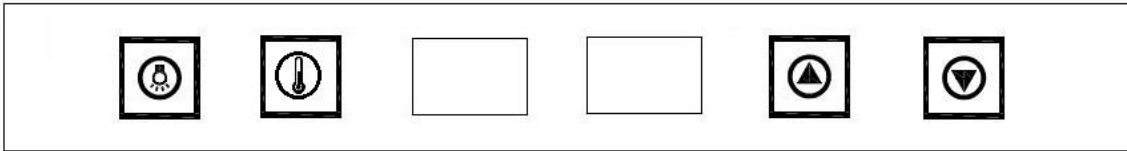
You could decrease the set temperature 1 °C or 1 °F by pressing this mark.



FAHRENHEIT OR CELSIUS DISPLAY

You could get Fahrenheit or Celsius temperature indicate if you touch the marks at the same time for 5 seconds.

6.3. Control Panel (DX-30.80DK, DX-46.128DK, DX-54.150DK)



LIGHT / FAHRENHEIT OR CELSIUS

To turn the inner light on/off. Press for 5 seconds to change between Celsius and Fahrenheit



UP

You could increase the set temperature 1 °C or 1 °F by pressing this mark.



DOWN

You could decrease the set temperature 1 °C or 1 °F by pressing this mark.



Compartment selector

You can select between upper and lower compartment when setting the compartment temperature.

Caution!

- DX-46.128DK and DX-54.150DK models ensure a maximum of 6°C difference between upper and lower compartments.

6.4. Control Panel Lock (all models), ON/OFF switch (DX-30.80DK, DX-46.128DK, DX-54.150DK)

- Your wine cooler is equipped with an AUTOMATIC control panel lock function. This function will prevent any unwanted changes to your temperature or power settings.
- The lock function will activate automatically 12 seconds after the last time a button is pressed on the control panel.
- To unlock the control panel, press and hold the **down arrow** button and **up arrow** button for 5 seconds, then the control panel will beep and blink. This indicates that the control panel is active and the settings can be changed.
- To switch the unit on or off, press the **LIGHT** and **COMPARTMENT SELECTOR** for 5 seconds.

6.5. Storage Capacity

You can place 16 (DX-16.46K), 20 (DX-20.62K), 28 (DX-28.88K), 30 (DX-30.80DK), 46 (DX-46.128DK), 56 (DX-54.150DK) bottles in this Wine Cooler (as indicated in your model's part number). Many bottles may differ in size and dimensions. As such the actual number of bottles you may be able to store may vary. Bottle capacities are approximate maximums when storing traditional Bordeaux 750 ml bottles and include bulk storage.

7. CARE AND MAINTENANCE

7.1. Defrosting Your Wine Cooler

The unit should be defrosted manually. The condensation collects in the drainage channel behind the rear wall of the unit, and the flows through the drainage hole into the drip tray by the compressor where it evaporates.

7.2. Cleaning Your Wine Cooler

- Unplug the Wine Cooler, and remove the Wine and shelves.
- Wash the inside surfaces with a warm water and baking soda solution. The solution should be about 2 tablespoons of baking soda to a quart of water.
- Wash the shelves with a mild detergent solution.
- The outside of the Wine Cooler should be cleaned with mild detergent and warm water.
- Wring excess water out of the sponge or cloth before cleaning the area of the controls, or any electrical parts.
- Wash the outside cabinet with warm water and mild liquid detergent. Rinse well and wipe dry with a clean soft cloth.

7.3. Vacation Time

- **Short vacations:**
Leave the Wine Cooler operating during vacations of less than three weeks.
- **Long vacations:**
If the appliance will not be used for several months, remove all items and unplug the power cord. Clean and dry the interior thoroughly. To prevent odor and mold growth, leave the door open slightly: blocking it open if necessary.

7.4. Moving Your Wine Cooler

- Remove all bottles.
- Securely tape down all loose items (shelves) inside your appliance.
- Tape the door shut.
- Protect outside of appliance with a blanket, or similar item.

7.5. Energy Saving Tips

- The Wine Cooler should be located in the coolest area of the room, away from heat producing appliances, and out of the direct sunlight.
- Overloading the Wine Cooler forces the compressor to run longer.

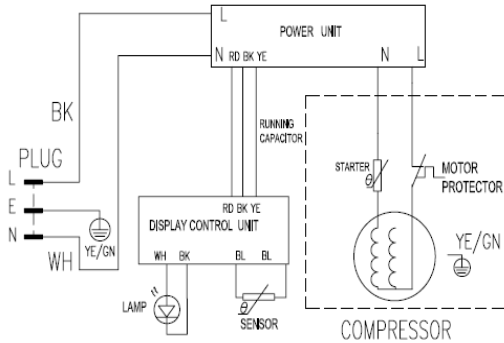
8. PROBLEMS WITH YOUR WINE COOLER?

You can solve many common Wine Cooler problems easily, saving you the cost of a possible service call. Try the suggestions below to see if you can solve the problem before calling the service.

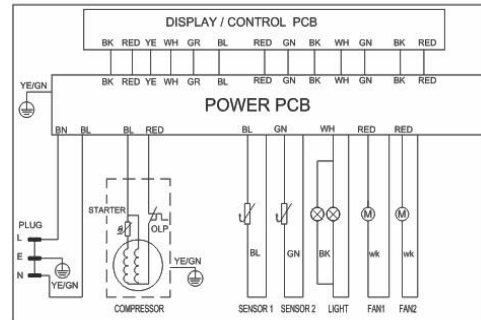
TROUBLESHOOTING GUIDE

PROBLEM	POSSIBLE CAUSE
Wine Cooler does not operate.	Not plugged in. The circuit breaker tripped or a blown fuse.
Turns on and off frequently.	The room temperature is hotter than normal. The door is opened too often. The door is not closed completely. The temperature control is not set correctly. The door gasket does not seal properly. The Wine Cooler does not have the correct clearances.
Vibrations.	Check to assure that the Wine Cooler is level.
The Wine Cooler seems to make too much noise.	The rattling noise may come from the flow of the refrigerant, which is normal. As each cycle ends, you may hear gurgling sounds caused by the flow of refrigerant in your Wine Cooler. Contraction and expansion of the inside walls may cause popping and crackling noises. The Wine Cooler is not level.
The door will not close properly.	The Wine Cooler is not level. The door was reversed and not properly installed. The gasket is dirty. The shelves are out of position.

9. WIRING DIAGRAM



DX-16.46K, DX-20.62K, DX-28.88K



DX-30.80DK, DX-46.128DK, DX-54.150DK

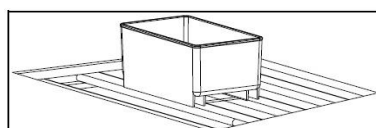
10. TECHNICAL DATA

Model	DX-16.46K	DX-20.62K	DX-28.88K
Volume (liter)	46L	62L	88L
Material	Case	Steel	Steel
	Door	Glass	Glass
Unit Dimension (W×D×H)(mm)	430x480x510	430x480x640	430x480x825
Packaging Dimension (W×D×H)(mm)	460x515x530	460x540x660	460x515x845
Net Weight (Kg)	18	22	26
Gross Weight (Kg)	19	24	28
Power Consumption (KWh/24h)	0.52	0.858	0.858
Refrigerant	R600a	R600a	R600a
Temperature Range	4-18°C	4-18°C	4-18°C
Temperature tolerance	+/- 2 °C	+/- 2 °C	+/- 2 °C
Rated Voltage	AC 220V	AC 220V	AC 220V
Rated Frequency	50Hz	50Hz	50Hz
Input power	85W	85W	85W

Model		DX-30.80DK	DX-46.128DK	DX-54.150DK
Volume (liter)		80L	128L	158L
Material	Case	Steel	Steel	Steel
	Door	Glass	Glass	Glass
Unit Dimension (W×D×H)(mm)		480x490x835	480x470x1125	480x470x1295
Packaging Dimension (W×D×H)(mm)		510x520x870	510x520x1165	510x520x1335
Net Weight (Kg)		28	42	47,6
Gross Weight (Kg)		30	44,5	50
Power Consumption (KWh/24h)		0.516	0,63	0,64
Refrigerant		R600a	R600a	R600a
Temperature Range Temperature tolerance		5-18°C +/- 2 °C	5-18°C +/- 2 °C	5-18°C +/- 2 °C
Rated Voltage		AC 220V	AC 220V	AC 220V
Rated Frequency		50Hz	50Hz	50Hz
Input power		88W	100W	100W

Humidity Control

The appliance is equipped with a system for maintaining the correct level of humidity. Under extremely dry environmental conditions, you may have to add some water into the humidity box provided with your wine cellar. Fill the small plastic reservoir (humidity box) $\frac{3}{4}$ full with water, and fit onto the runners found on the top shelf of the appliance. Check the water level regularly and refill as necessary. Please ensure the reservoir is positioned correctly on the runners on the top shelf to avoid the possibility of water spillage.



■ This marking indicates that this product should not be disposed with other household wastes throughout the EU. To prevent possible harm to the environment or human health from uncontrolled waste disposal, recycle it responsibly to promote the sustainable reuse of material resources. To return your used device, please use the return and collection systems or contact the retailer where the product was purchased. They can take this product for environmental safe recycling.



DUNAVOX

KORISNIČKE UPUTE

Modell:

**DX-16.46K/DX-20.62K/DX-28.88K
DX-30.80DK/DX-46.128DK/DX-54.150DK**

Hladnjak za vino



(Slika: DX-28.88K)

UPOZORENJE:

PRIJE UPOTREBE PAŽLJIVO PROČITAJTE OVE UPUTE I SLIJEDITE SVA SIGURNOSNA PRAVILA I UPUTE.

SADRŽAJ

1	SIGURNOSNE UPUTE ZA HLADNJAK ZA VINO	17
2	VAŽNE SIGURNOSNE UPUTE	18
3	DIJELOVI I KARAKTERISTIKE	19
4	VAŽNE SIGURNOSNE UPUTE	20
5	UPUTE ZA INSTALACIJU	20
5.1	PRIJE KORIŠTENJA HLADNJAKA	20
5.2	INSTALACIJA HLADNJAKA ZA VINO	21
5.3	SPAJANJE NA ELEKTRIČNU MREŽU	21
5.4	KORIŠTENJE PRODUŽNOG KABELA	21
6	KORIŠTENJE UREĐAJA	22
6.1	POSEBNA NAPOMENA	22
6.2	UPRAVLJAČKA PLOČA (DX-16.46K, DX-20.62K, DX-28.88K)	22
6.3	UPRAVLJAČKA PLOČA (DX-30.80DK, DX-46.128DK, DX-54.150DK)	22
6.4	UPRAVLJAČKA PLOČA S ZAKLJUČAVANJEM TIPKOVNICE (SVI MODELI), ON/OFF TIPKA (DX-30.80DK, DX-46.128DK, DX-54.150DK)	23
6.5	KAPACITET HLADNJAKA	23
7	BRIGA I ODRŽAVANJE	23
7.1	ODLEĐIVANJE HLADNJAKA	23
7.2	ČIŠĆENJE HLADNJAKA ZA VINO	23
7.3	U VRIJEME ODMORA	23
7.4	PREMJESTANJE HLADNJAKA	24
7.5	SAVJETI ZA UŠTEDU ENERGIJE	24
8	PROBLEMI U RADU?	24
9	ELEKTRIČNI DIAGRAM	25
10	TEHNIČKI PODACI	25

OVAJ HLADNJAK NAMIJENJEN JE SAMO ZA HLAĐENJE VINA.

1 SIGURNOSNE UPUTE ZA HLADNJAK ZA VINO

VAŠA SIGURNOST I SIGURNOST DRUGIH LJUDI VRLO JE VAŽNA.

U ovim uputama nalaze se mnoge važne upute o sigurnosti. Pročitajte ih i slijedite sve upute o sigurnosti.



Ovaj simbol označava znak za oprez. Upozorava vas na potencijalnu opasnost koja može biti smrtonosna, ili vas može ozljediti. Sve sigurnosne poruke prikazat će se s znakom opreza i s riječima: “OPASNO”, “UPOZORENJE” ili “OPREZ”.



DANGER (opasno), opasnost od ozljeđivanja ili opasno po život.



WARNING (upozorenje), oštećenje uređaja, opasnost od ozljeđivanja ili opasno po život.



CAUTION (oprez) opasnost od ozljeđivanja ili oštećenja uređaja.

Kada vidite ove oznake na uređaju, imajte na umu potencijalnu opasnost na koje upućuju i način kako možete smanjiti mogućnost ozljeđivanja i što se može desiti ako ne slijedite upute.

2 VAŽNE SIGURNOSNE UPUTE



Prije korištenja, hladnjak se mora pravilno instalirati, kako je objašnjeno u ovim uputama, stoga ih pažljivo pročitajte. Kako bi se smanjio rizik od požara.



- Hladnjak za vino priključite u utičnicu s uzemljenjem, odgovarajućeg, ne koristite adaptere, ne odspajajte uzemljenje niti spajajte produžni kabel.
- Preporučuje se korištenje odvojenog strujnog kruga za spajanje hladnjaka za vino. Ne povlačite kabel prilikom odspajanja od izvora napajanja.
- Nikada ne čistite hladnjak s zapaljivim tekućinama. Pare mogu dovesti do eksplozije ili požara. Ne spremajte unutar hladnjaka ili u blizini, benzin ili zapaljive tekućine. Pare mogu dovesti do eksplozije ili požara.
- Prije čišćenje odspojite hladnjak od izvora napajanja.
- Ne priključujte i ne odspajajte utikač od utičnice ukoliko su vam mokre ruke.
- Odspojite hladnjak od izvora napajanja prije čišćenja ili servisa. U suprotnom može doći do električnog udara ili smrti.
- Ne pokušavajte popraviti ili zamijeniti bilo koji dio hladnjaka ukoliko nije posebno preporučeno u ovim uputama. Servis treba obaviti kvalificirani i ovlašteni servisni centar..

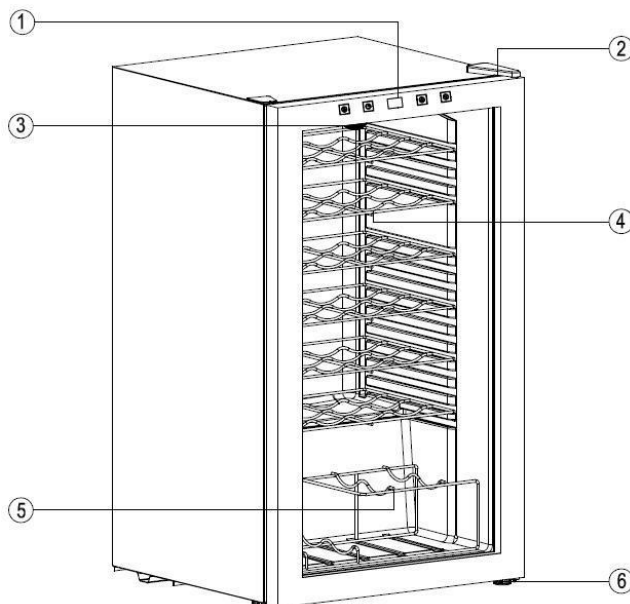


SLIJEDITE UPOZORENJA SAMO KADA SU PRIMJENJIVA NA VAŠ MODEL

- Za prijenos hladnjaka potrebno je dvoje ili više ljudi. U suprotnom može doći do ozljeđivanja.
- Kako bi se osigurala ispravna ventilacija prednji dio mora biti potpuno slobodan. Hladnjak smjestite u prostoriju koja je dobro ventilirana sa temperaturom od 16°C do 32°C. Prostorija mora biti zaštićena od vjetra, kiše, maglice, vlage, itd..
- Ne postavljajte hladnjak blizu pećnica, roštilja ili drugih izvora topline.
- Hladnjak uvijek priključujte na izmjenični izvor napajanja 220-240V AC, 50 Hz, na utičnicu koja je uzemljena.
- Pazite da se priključni kabel ne zapetlja.
- U strujnom krugu hladnjaka treba biti osigurač od 15A.
- Za ispravan rad, hladnjak treba biti niveliran. Koristite nogice na vijak za niveliranje.
- Pazite da ne savijete ili ne oštetite cijevi tijekom instalacije.
- Provjerite je li hladnjak curi nakon instalacije.
- Nikada nemojte dopustiti djeci da se igraju ili sakrivaju unutar hladnjaka.
- Nemojte koristiti agresivna sredstva za čišćenje hladnjaka jer može doći do oštećenja.

- Nemojte koristiti uređaj za drugu namjenu osim za hlađenje vina.
- **Ovaj uređaj nije namijenjen za korištenje osobama (uključujući i djecu) s ograničenim fizičkim, osjetilnim ili psihičkim sposobnostima ili nedovoljnim iskustvom ili znanjem osim ako su pod nadzorom ili dobivaju upute glede rada od osobe odgovorne za njihovu sigurnost. Djeca trebaju biti nadzirana da bi se osiguralo da se ne igraju s ovim uređajem.**
- Periodično provjeravajte stanje kabela za napajanje. Ako je kabel napajanja oštećen, mora biti zamijenjen posebnim kabelom pripremljenim od strane proizvođača ili ovlaštenog servisa.
- Nemojte samostalno popravljati uređaj zbog opasnosti od udara struje. Oštećen uređaj predajte odgovarajućem servisu kako bi izvršio: provjeru ili popravak. Sve popravke mogu vršiti isključivo ovlašteni servisi. Nepravilno izveden popravak može prouzročiti ozbiljnu opasnost za korisnika.
- Ne potapajte kabel, utikač ili cijeli uređaj u vodu ili bilo koju drugu tekućinu. Ne izlažite uređaj djelovanju atmosferskih utjecaja (kiša, sunce i dr.) i ne koristiti ga u uvjetima povišene vlažnosti (kupatila, „vlažne“ vikendice).

3 DIJELOVI I KARAKTERISTIKE



(općenita skica)

1	Upravljačka ploča	4	Polica
2	Poklopac panta	5	Izložbena polica
3	LED svjetlo	6	Nogica

4 VAŽNE SIGURNOSNE UPUTE



Kako bi se smanjio rizik od požara, električnog udara ili ozljeđivanja, slijedite upute:

- Pročitajte sve upute prije korištenja.

OPASNOST I UPOZORENJE: Opasnost od zatvaranja djece. U prošlosti nije zabilježen slučaj da su se djeca zatvorila u hladnjak i da se desio slučaj gušenja. Odloženi uređaji koji nisu u upotrebi predstavljaju opasnost čak ako se odlože i samo nekoliko dana u garaži.

- Prije bacanja hladnjaka: Skinite vrata, ostavite police unutar hladnjaka.
- Ne dozvolite da djeca rukuju s hladnjakom ili da se igraju.
- U hladnjak nikad ne odlažite benzin ili druga zapaljiva sredstva.
- Hladnjak nikad ne čistite s zapaljivim sredstvima, zbog mogućnosti stvaranja eksplozivnih para.
- Neispravan osigurač zamijenite s novim osiguračem istovjetne vrijednosti.
- Ne pokušavajte popravljati niti mjenjati bilo koji dio hladnjaka.

- Sačuvajte ove upute -

5 UPUTE ZA INSTALACIJU

5.1 Prije korištenja hladnjaka

- Uklonite unutarnje i vanjsko pakiranje.
- Provjerite jeste li dobili sve dijelove:
 - Drvene ili metalne police
 - Korisničke upute
- Očistite unutrašnjost s toplom sapunicom i mekom krpom.

5.2 Instalacija hladnjaka za vino

- Ovaj hladnjak za vino je dizajniran kao samostojeći.
- Postavite hladnjak na vino na površinu koja je dovoljno jaka da izdrži teret kada je hladnjak u potpuno napunjen.
- Ostavite 1-5 cm prostora između stražnje i bočnih stranica kako bi zrak mogao normalno cirkulirati.
- Hladnjak postavite dalje od direktnog utjecaja sunčevih zraka i izvora topline (kuhalo, radijatori, peći, itd..). Sunčeve zrake mogu oštetiti površinski premaz i povećati električnu potrošnju. Ekstremna hladnoća prostora također može utjecati na nepravilan rad hladnjaka.
- Izbjegavajte postavljanje hladnjaka u vlažnu okolinu.
- Hladnjak uključite u uzemljenu utičnicu u zidu. Niti pod kojim uvjetima nemojte odspajati vod uzemljenja priključnog kabela. Ukoliko imate pitanja u vezi napajanja i uzemljenja kontaktirajte ovlaštenu stručnu osobu ili servisni centar.
- Nakon uključivanja hladnjaka pustite ga da radi 2h-3h, a zatim ga počnite puniti s bocama.
- Ne uključujte hladnjak 24h nakon transporta.

5.3 Spajanje na električnu mrežu



Nepravilno korištenje priključka uzemljenja hladnjaka može uzrokovati električni udar. Ako je kabel napajanja oštećen, mora biti zamijenjen posebnim kabelom pripremljenim od strane proizvođača ili ovlaštenog servisa.

- Hladnjak uvijek priključujte na utičnicu s uzemljenjem. Utikač hladnjaka izveden je sa spojem uzemljenja kako bi se smanjio rizik od električnog udara.
- Niti pod kojim uvjetima ne odspajate vod uzemljenja priključnog kabela. Zbog vlastite sigurnosti hladnjak uvijek spajajte na utičnicu s uzemljenjem.
- Uređaj uvijek priključite na utičnicu s uzemljenjem gradskog napona 220-240 Volt AC / 50Hz. Ukoliko utičnica nema izvedeno uzemljenje, obavezno je zamijenite sa šuko utičnicom s uzemljenjem.
- Višak priključnog kabela sakrijte iza hladnjaka, kako ne bi zapeli za njega i ozljedili se.
- Uređaj treba uvijek biti priključen na vlastitu utičnicu na napon 220-240 Volt AC / 50Hz. Na taj način smanjit će se preopterećenje električnih vodova unutar mreže, jer u suprotnom može doći do požara zbog pregrijavanja. Nikada ne isključujte uređaj tako da povlačite kabel, uvijek držite za utikač kako bi ga odspojili od napajanja. Ukoliko je priključni kabel oštećen ne koristite uređaj. Prilikom pomicanja uređaja, pazite da ne oštetite priključni kabel.

5.4 Korištenje produžnog kabela

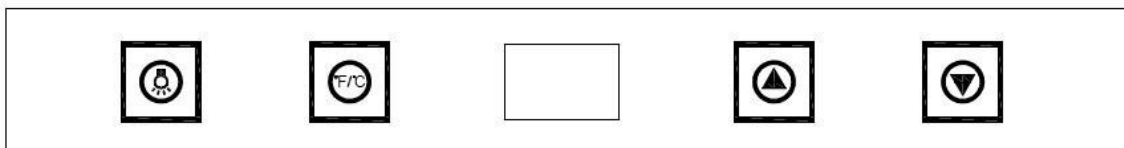
Zbog opasnosti ne preporučuje se korištenje produžnih priključnica i kablova. Ukoliko je neophodno koristite produžne priključnice i pazite da ona bude s izvedenim uzemljenjem i da bude dimenzionirana na minimalno 10A i za napon 230V/50Hz.

6 KORIŠTENJE UREĐAJA

6.1 Posebna napomena

- Prilikom prvog uključjenja hladnjaka ili nakon duže stanke, temperatura na LCD i podešena temperatura će se jedno vrijeme razlikovati dok uređaj ne počne s hlađenjem. To je uobičajeno zbog potrebnog vremena za aktivaciju. Nakon što hladnjak bude radio nekoliko sati postići će se podešena temperatura u hladnjaku.
- Hladnjak postavite u okolinu od 16°C do 32°C. Ukoliko je temperatura prostora iznad ili ispod ovog ranga, hladnjak možda neće moći postići podešenu temperaturu koja može biti od 4°C do 18°C.

6.2 Upravljačka ploča (DX-16.46K, DX-20.62K, DX-28.88K)



LIGHT - Svjetlo

Za uključenje ili isključenje svjetla



UP - Gore

Povećanje temperature za 1 °C ili 1 °F



DOWN - Dole

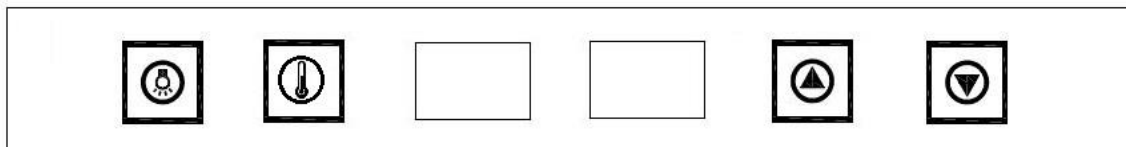
Smanjenje temperature za 1 °C ili 1 °F



PRIKAZ U FAHRENHEIT ILI CELSIUS -ima

Možete odabrati prikaz temperature u Fahrenheitima ili Celsiusima tako da držite tipku 5 sekundi.

6.3 Upravljačka ploča (DX-30.80DK, DX-46.128DK, DX-54.150DK)



LIGHT / FAHRENHEIT OR CELSIUS - Svjetlo/ Celsius ili Fahrenheit

Za uključenje/isključenje unutrašnjeg svjetla. Pritisnite tipku 5 sekundi za odabir prikaza temperature u Celsiusima ili Fahrenheitima.



UP - Gore

Povećanje temperature za 1 °C ili 1 °F



DOWN - Dole

Smanjenje temperature za 1 °C ili 1 °F



Compartment selector – Odabir komore

Možete odabrati gornju ili donju komora za podešenje temperature.

Upozorenje!

- Kod modela DX-46.128DK i DX-54.150DK razmak između gornje i donje komore maksimalno može biti 6°C.

6.4 Upravljačka ploča s zaključavanjem tipkovnice (svi modeli), ON/OFF tipka (DX-30.80DK, DX-46.128DK, DX-54.150DK)

- Hladnjak za vino opremljen je sistemom automatskog zaključavanja tipkovnice. Ova funkcija omogućuje neželjenu promjenu temperature ili isključenje hladnjaka.
- Funkcija zaključavanja tipkovnice će se aktivirati 12 sekundi od neaktivnosti tipkovnice.
- Za otključavanje tipkovnice, pritisnite i držite tipke **down** i **up** 5 sekundi. Tada će tipkovnica beepnuti i treptati. To označava da je tipkovnica aktivna i da se postavke mogu mjenjati.
- Za uključenje ili isključenje uređaja pritisnite tipke **LIGHT (svjetlo)** i **COMPARTMENT (odabir komore)** 5 sekundi.

6.5 Kapacitet hladnjaka

Možete postaviti 16 (DX-16.46K), 20 (DX-20.62K), 28 (DX-28.88K), 30 (DX-30.80DK), 46 (DX-46.128DK), 56 (DX-54.150DK) boca u hladnjak ovisno o modelu. Kapacitet hladnjaka bazira se na Bordeaux boci od 750 ml.

7 BRIGA I ODRŽAVANJE

7.1 Odležavanje hladnjaka

Ovaj hladnjak potrebno je ručno odlediti. Kondenzat koji se nalazi unutar hladnjaka se preko odvodnih kanala sakuplja i odvodi do posude koja se nalazi na kompresoru i gdje kondenzat ispari.

7.2 Čišćenje hladnjaka za vino

- Odspojite hladnjak za vino od izvora napajanja, i izvadite boce i police.
- Operite unutrašnjost s toplom vodom u koju ste dodali malo sode bikarbone (dvije žlice na 1 lit vode). A zatim očistite sa čistom vodom i dobro posušite.
- Operite police s mekom krpom i vodom u koju ste dodali malo blagog deterdženta.
- Vanjski dio hladnjaka operite s toplom vodom i malo blagog deterdženta.

Nakon toga dobro posušite

- Pazite da ne smočite električne dijelove i upravljačku ploču. Dobro ocijedite krpnu prije čišćenja ovih dijelova.

7.3 U vrijeme odmora

- **Kratki odmor:**

Ostavite hladnjak za vino da radi ukoliko će odmor trajati kraće od tri tjedna.

- **Dugi odmor:**

Ukoliko hladnjak nećete koristiti nekoliko mjeseci, izvadite sve boce i odspojite ga od izvora napajanja. Očistite unutrašnjost hladnjaka i posušite. Kako bi spriječili pojavu gljivica i plijesni ostavite vrata malo otvorena, blokirajte vrata ako je potrebno.

7.4 Premještanje hladnjaka

- Izvadite sve boce iz hladnjaka.
- Povežite trakom sve police.
- Povežite trakom vrata
- Prekrijite hladnjak prekrivačem ili sl.

7.5 Savjeti za uštedu energije

- Hladnjak postavite u najhladniji dio prostorije, dalje od izvora topline i sunčevih zraka.
- Ukoliko je hladnjak prepunjen kompresor će duže raditi.

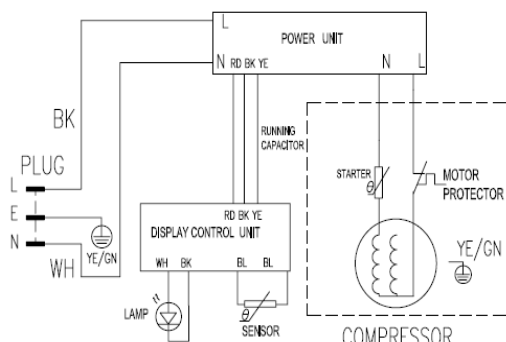
8 PROBLEMI U RADU?

Možete riješiti mnoge probleme jednostavnim postupcima, bez intervencije servisa.

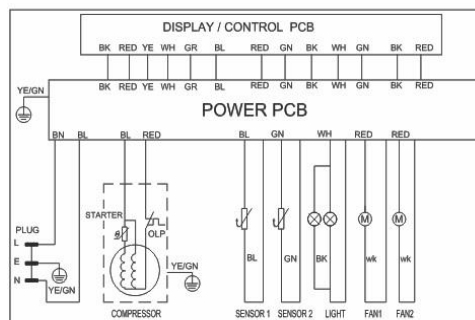
VODIČ ZA RJEŠAVANJE PROBLEMA

PROBLEM	MOGUĆI UZROK
Hladnjak ne radi.	Nije uključen utikač. Provjerite osigurač na razvodnoj ploči.
Hladnjak se često uključuje i isključuje	Temperatura prostorije je veća od normalne. Vrata se često otvaraju. Vrata nisu dobro zatvorena. Nije dobro podešena temperatura. Gumena brtva ne naliježe ispravno na vrata. Hladnjak nije dovoljno odmaknut od zidova.
Vibracije hladnjaka.	Provjerite je li hladnjak ispravno niveliran
Hladnjak proizvodi veću buku od normalne	Buka nastaje zbog prolaska rashladnog sredstva kroz cijevi što je normalno. Hladnjak nije ispravno niveliran.
Vrata se ne mogu dobro zatvoriti.	Hladnjak nije ispravno niveliran. Prilikom zamjene strana, vrata nisu ispravno postavljena. Gumena brtva je prljava. Police nisu na svojem mjestu.

9 ELEKTRIČNI DIAGRAM



DX-16.46K, DX-20.62K, DX-28.88K



DX-30.80DK, DX-46.128DK, DX-54.150DK

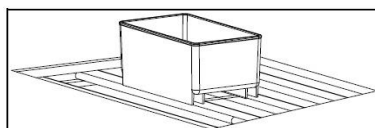
10 TEHNIČKI PODACI

Model		DX-16.46K	DX-20.62K	DX-28.88K
Volumen (lit)		46L	62L	88L
Material	Kućište	Čelik	Čelik	Čelik
	Vrata	Staklo	Staklo	Staklo
Dimenzija (W×D×H)(mm)		430x480x510	430x480x640	430x480x825
Dimenzija pakiranja (W×D×H)(mm)		460x515x530	460x540x660	460x515x845
Neto težina (Kg)		18	22	26
Ukupna težina (Kg)		19	24	28
Potrošnja (KWh/24h)		0.52	0.858	0.858
Plin		R600a	R600a	R600a
Temperaturni opseg		4-18°C	4-18°C	4-18°C
Temperaturna tolerancija		+/- 2 °C	+/- 2 °C	+/- 2 °C
Napon napajanja		AC 230V	AC 230V	AC 230V
Frekvencija		50Hz	50Hz	50Hz
Snaga		85W	85W	85W

Model		DX-30.80DK	DX-46.128DK	DX-54.150DK
Volumen (lit)		80L	128L	158L
Materijal	Kućište	Čelik	Čelik	Čelik
	Vrata	Staklo	Staklo	Staklo
Dimenzija (WxDxH)(mm)		480x490x835	480x470x1125	480x470x1295
Dimenzija pakiranja (WxDxH)(mm)		510x520x870	510x520x1165	510x520x1335
Neto težina (Kg)		28	42	47,6
Ukupna težina (Kg)		30	44,5	50
Potrošnja (KWh/24h)		0.516	0,63	0,64
Plin		R600a	R600a	R600a
Temperaturni opseg Temperaturna tolerancija		5-18°C +/- 2 °C	5-18°C +/- 2 °C	5-18°C +/- 2 °C
Napon napajanja		AC 220V	AC 220V	AC 220V
Frekvencija		50Hz	50Hz	50Hz
Snaga		88W	100W	100W

Kontrola vlažnosti

Uređaj je opremljen sustavom za održavanje odgovarajuće razine vlažnosti unutar hladnjaka. Pod iznimno suhim uvjetima, možda ćete morati dodati malo vode u posudu za vlagu koja se nalazi unutar hladnjaka za vino. Napunite malu plastičnu posudu (posudu za vlagu) sa $\frac{3}{4}$ vode, i učvrstite na vodilicu koja se nalazi na vrhu police hladnjaka. Redovito provjeravajte razinu vode u posudi i po potrebi je dopunite. Provjerite je li spremnik pravilno postavljen na vodilicu na vrhu police kako bi se izbjegla mogućnost izlijevanja vode



Napomena: Nakon raspakiranja proizvoda, posebno odvojite papir, a posebno plastičnu ambalažu i adekvatno ih zbrinite. Radi pravilne obrade, sanacije i recikliranja istrošeni uređaj odložite u posebno spremište za elektronički otpad, ili kontaktirajte prodajno mjesto. Ne bacajte ga u kućni otpad. Zbrinjavanje ovog proizvoda na adekvatan način pomoći će uštedjeti financijska sredstva i spriječiti potencijalne negativne učinke na ljudsko zdravlje i okoliš koji bi inače mogli proizaći iz neadekvatnog zbrinjavanja. Za nepropisno odlaganje otpada propisane su kazne primijenjene u skladu s državnim zakonodavstvom



DUNAVOX

GEBRUIKSAANWIJZING

**DX-16.46K/DX-20.62K/DX-28.88K
DX-30.80DK/DX-46.128DK/DX-54.150DK**

Wijnklimaatkasten



(Foto - DX-28.88K)

Deze gebruiksaanwijzing bevat belangrijke informatie, zoals veiligheids- en installatievoorschriften over de apparatuur. Lees dit voor gebruik zorgvuldig door en volg alle veiligheidsvoorschriften en instructies.

Het wordt aanbevolen dat u deze handleiding ter referentie bewaart, zodat u bekend bent met de werking van het apparaat

INHOUD

1. VEILIGHEID BIJ GEBRUIK VAN UW WIJNKLIAMATKAST	29
2. BELANGRIJKE VEILIGHEIDSVORSCHRIFTEN	30
3. ONDERDELEN EN FUNCTIES	31
4. BELANGRIJKE VEILIGHEIDSINSTRUCTIES.....	32
5. INSTALLATIE INSTRUCTIES	32
5.1 VOORDAT U DE WIJNKOELER IN GEBRUIK NEEMT;.....	32
5.2 INSTALLATIE VAN UW WIJNKOELER.....	32
5.3 ELEKTRISCHE AANSLUITING	33
5.4 VERLENG KABEL.....	33
6. GEBRUIK VAN UW WIJNKOELER	34
6.1 SPECIALE KENNISGEVING.....	34
6.2 BEDIENINGSPANEEL (DX-16.46K, DX-20.62K, DX-28.88K)	34
6.3 BEDIENINGSPANEEL (DX-30.80DK, DX-46.128DK, DX-54.150DK).....	34
6.4 DISPLAY SLOT (ALLE MODELLEN), AAN/UIT (DX-30.80DK, DX-46.128DK, DX-54.150DK)	35
6.5 MAXIMALE OPSLAG CAPACITEIT.....	35
7. ZORG EN ONDERHOUD	35
7.1 ONTVRIEZEN VAN UW WIJNKOELER	35
7.2 UW WIJNKOELER SCHOONMAKEN	35
7.3 VAKANTIE TIJD	35
7.4 HET VERPLAATSEN OF VERHUIZEN VAN UW WIJNKOELER.....	36
7.5 ENERGIE BESPARINGSTIPS	36
8. PROBLEMEN MET UW WIJNKOELER?	36
9. BEDRADINGS SCHEMA	37
10. TECHNISCHE GEGEVENS.....	37

Dit product is alleen ontworpen voor de opslag van wijnflessen!

1. Veiligheid bij gebruik van uw wijnklimaatkast

Uw veiligheid en die van anderen is heel belangrijk!

Veel belangrijke veiligheidsvoorschriften zijn opgenomen in deze handleiding. Lees en volg deze veiligheidsvoorschriften zorgvuldig op.



Dit is het waarschuwingssymbool. Dit symbool waarschuwt u voor mogelijke gevaren die uzelf of anderen kunnen doden of verwonden.

Al de veiligheidsvoorschriften zullen het waarschuwingssymbool volgen, of de woorden “GEVAAR”, “WAARSCHUWING” of “LET OP” vermelden.



“**GEVAAR**” betekent dat het niet opvolgen van deze instructies kan leiden tot ernstig persoonlijk letsel of de dood.



“**WAARSCHUWING**” betekent dat het niet opvolgen van deze instructies kan leiden tot schade aan het product of ernstig lichamelijk letsel of overlijden tot gevolg kan hebben.



“**LET OP**” betekent dat het niet opvolgen van deze instructies lichte of matige materiële of persoonlijke schade tot gevolg kan hebben.

Al de veiligheidswaarschuwingen informeren u over het potentiële gevaar; hoe de kans op blessures te vermijden en informeert u wat kan gebeuren indien de instructies niet worden opgevolgd.

2. Belangrijke Veiligheidsvoorschriften

Voordat de Wijnkoeler wordt gebruikt, moet deze worden geplaatst en geïnstalleerd zoals beschreven in de handleiding; lees dus de gebruiksaanwijzing zorgvuldig door. Om het risico van brand of persoonlijk letsel bij het gebruik van de Wijnkoeler te beperken, volg de elementaire voorzorgsmaatregelen, zoals hieronder vermeld:

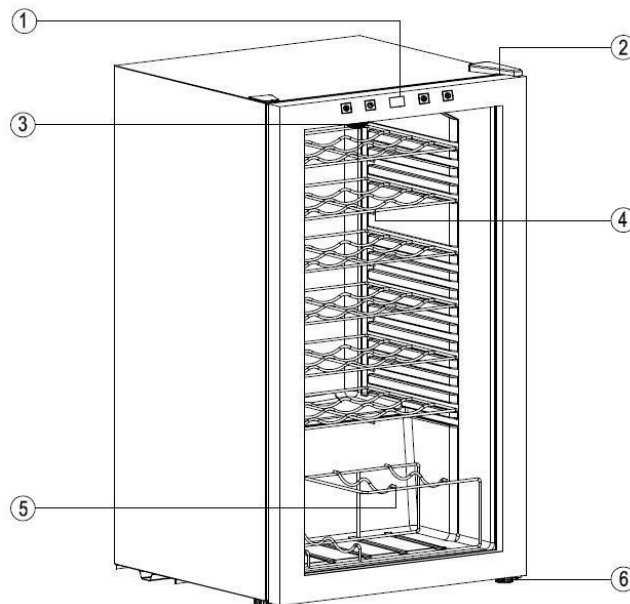


- Steek de stekker in een geaard 3-polig stopcontact; verwijder het uitsteeksel voor de aarding niet, maak geen gebruik van een adapter of een verlengsnoer.
- Het is aanbevolen om uw Wijnkoeler aan te sluiten op een apart circuit. Gebruik een stopcontact dat niet kan uitgeschakeld worden via een schakelaar of stroomonderbreker;
- Reinig de Wijnkoeler nooit met brandbare vloeistoffen. De dampen kunnen een brand of explosie veroorzaken. Bewaar geen benzine of andere brandbare vloeistoffen in de nabijheid van dit apparaat. De dampen kunnen brand of een explosie veroorzaken.
- Trek voor het schoonmaken de stekker uit het stopcontact. Maak de Wijnkoeler niet schoon met bijtende, chemische of oplosmiddelen of met benzine, olie of andere chemische middelen die het apparaat kunnen beschadigen.
- De stekker niet insteken of uittrekken met vochtige handen.
- Trek voor onderhoud de stekker uit het stopcontact; niet navolging kan elektrische schokken en eventueel de dood veroorzaken.
- Probeer niet het toestel te herstellen of onderdelen te vervangen, tenzij uitdrukkelijk in deze handleiding is aanbevolen. Laat reparaties alleen uitvoeren door geautoriseerde reparateurs.



- Gebruik twee of meer personen om de Wijnkoeler te verplaatsen en installeren om rug- en andere klachten te voorkomen.
- Voor een goede ventilatie voor de Wijnkoeler, de voorkant van het apparaat volledig vrij laten. Kies een goed geventileerde ruimte met temperaturen tussen 16°C en 32°C. Dit apparaat moet beschermd worden tegen wind, regen, opspattend water en druppels.
- De Wijnkoeler niet naast warmtebronnen plaatsen zoals ovens, grills of andere hitteproducerende apparaten.
- De Wijnkoeler moet worden geïnstalleerd met alle elektrische, water aan- en afvoeraansluitingen, volgens de nationale voorschriften. Een standaard elektrische voeding (220-240V, 50 Hz), goed geaard en in overeenstemming met de nationale voorschriften is vereist.
- De elektrische kabel voor de Wijnkoeler niet knikken of doorboren.
- De sterkte van de zekering (of circuit onderbreker) moet minimum 15 Ampère bedragen.
- Voor een goede werking van de Wijnkoeler is het noodzakelijk om deze op een genivelleerd oppervlak te plaatsen.
- De installatie moet gebeuren volgens de geldende sanitaire normen.
- Draag er zorg voor dat de buizen niet geknikt of doorboord worden tijdens de installatie.
- Controleer het apparaat na de installatie op eventuele lekken.
- Sta nooit toe dat kinderen met de Wijnkoeler spelen of erin gaan zitten.
- Gebruik geen oplos- of schuurmiddelen voor het reinigen van het interieur; dezen kunnen het interieur beschadigen of verkleuren.
- Deze Wijnkoeler enkel gebruiken voor het oorspronkelijke doel.

3. Onderdelen en Functies



1. Controlepaneel en Temperatuur instellingen
2. Deur scharnier + kapje
3. LED verlichting
4. Opslag leggers
5. Display legger
6. Stelvoetje

4. Belangrijke Veiligheidsinstructies

⚡ Waarschuwing ⚡

Volg de onderstaande voorzorgsmaatregel om het risico van brand, elektrische schokken of letsel bij het gebruik van uw apparaat te voorkomen

- Lees al de instructies vooraleer de Wijnkoeler te gebruiken.
- **GEVAAR! En PAS OP!** Insluiting en verstikking zijn geen problemen uit de verleden tijd. Afgedankte of verlaten toestellen zijn nog steeds gevaarlijk, zelfs als ze slechts enkele dagen in de garage staan.
- Insluitinggevaar ! Demonteer voor u uw oude toestel wegdoet de deur en laat de leggers er in zitten, zodat kinderen zich niet in het apparaat kunnen opsluiten.
- Laat kinderen nooit het toestel gebruiken, ermee spelen of in het toestel kruipen.
- Maak de wijnkoeler niet schoon met bijtende, chemische of oplosmiddelen; de dampen kunnen brand of een explosie veroorzaken.
- Bewaar geen benzine of andere ontvlambare producten en vloeistoffen in de buurt van dit of enig ander toestel. De dampen kunnen een brand of explosie veroorzaken.
- Voer geen herstellingen uit aan de Wijnkoeler, vervang geen onderdelen of geef het toestel geen onderhoudsbeurt, tenzij dit uitdrukkelijk in de handleiding is aanbevolen of is vermeld in de hersteinstructies. Vervang de zekering met hetzelfde type van de te vervangen zekering.

-Bewaar deze instructies goed-

5. Installatie Instructies

5.1 Voordat u de wijnkoeler in gebruik neemt;

- Verwijder de buitenste en binnenste verpakking.
- Controleer of de volgende onderdelen aanwezig zijn:
 - Leggers
 - Handleiding (op papier of CD)
 - Maak de binnenkant schoon met een zachte vochtige doek
- Maak de buitenkant schoon met lauw water, met gebruik van een zachte doek.

5.2 Installatie van uw wijnkoeler

- Deze Wijnkoeler enkel vrijstaand gebruiken; niet inbouwen of in een nis plaatsen. Mag enkel ingebouwd / in nis worden geplaatst als voldoende ventilatie wordt voorzien. Anders kan een inbouwtoestel ook niet worden ingebouwd : ook daar moet ventilatie worden voorzien.
- Plaats uw Wijnkoeler op een ondergrond die voldoende sterk is om het gewicht van het volledig geladen toestel te dragen.
- Laat een ruimte van 10 cm aan de zijkanten en achterkant van uw Wijnkoeler voor een goede ventilatie.
- Vermijd direct zonlicht en hoge temperaturen. Direct zonlicht kan de acryllaag aantasten, en hete

oppervlakken kunnen het elektriciteitsverbruik laten toenemen. Extreem lage omgevingstemperaturen kunnen ook het risico inhouden van een lager rendement van uw toestel.

- Deze Wijnkoeler werkt met een compressor.
- Plaats het toestel niet in een vochtige omgeving .
- Steek de stekker van de Wijnkoeler in een individueel stopcontact met behoorlijke aarding. Verwijder onder geen omstandigheden de aardingspin, maak geen gebruik van een adapter of een verlengsnoer. Alle vragen in verband met stroom en/of aarding moeten gericht worden aan een gespecialiseerd elektricien of een geautoriseerd hersteller.
- Laat het toestel minimum 2-3 uren koelen na het aansluiten vooraleer het in gebruik te nemen.
- Laat het toestel minimaal 24 uur rusten alvorens u de stekker in het stopcontact doet
- Nooit verder kantelen als 45 graden!

5.3 Elektrische Aansluiting

Waarschuwing

Onjuist gebruik van de geaarde stekker kan elektrische schokken veroorzaken. Indien de kabel beschadigd is, laat deze dan vervangen door een geautoriseerd hersteller.

- Voor uw veiligheid moet dit toestel aangesloten worden op een geaard stopcontact. De kabel van dit toestel is uitgerust met een aarding, die in een geaard stopcontact moet aangesloten worden om het risico van elektrische schokken te minimaliseren.
- Verwijder onder geen enkele omstandigheid de derde (aarding-) draad van de bijgevoegde kabel. Voor uw eigen veiligheid moet dit toestel behoorlijk geaard zijn.
- Dit toestel werkt enkel in een standaard 220-240 Volt AC / 50Hz elektrisch geaard stopcontact. Laat het stopcontact en het elektrisch circuit nakijken om er zeker van te zijn dat het toestel behoorlijk geaard is. Indien enkel een twee- weegs stopcontact beschikbaar is, dan is het uw verantwoordelijkheid en plicht om het te laten vervangen door een drie- weegs stopcontact.
- Het snoer moet worden bevestigd achter het apparaat en moet niet blootliggen of losliggen om verwondingen te voorkomen.
- Het toestel moet steeds worden aangesloten op een individueel stopcontact met een voltage die overeenstemt met de voltage van het toestel. Dit verzekert de beste prestaties en voorkomt ook overbelasting van het netwerk circuit, die de oorzaak kan zijn van brand door oververhitting. Trek nooit de stekker uit het stopcontact door aan het snoer te trekken. Grijp steeds de stekker stevig vast en trek deze uit het stopcontact. Herstel onmiddellijk beschadigde kabels. Gebruik geen kabel die enigerlei beschadiging vertoont. Bij het verplaatsen van het toestel, de nodige voorzorgen nemen om de kabel niet te beschadigen.

5.4 Verleng Kabel

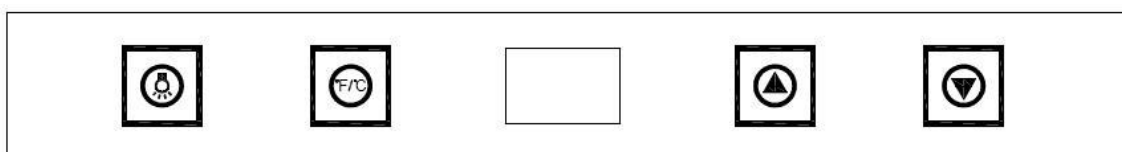
Vanwege mogelijke veiligheidsrisico's onder bepaalde omstandigheden, is het sterk aanbevolen om geen verlengsnoer te gebruiken met dit apparaat. Echter, als het noodzakelijk is om een verlengsnoer te gebruiken, dan moet dit een 3-weegs geaard snoer zijn met een geaarde stekker en stopcontact en geschikt voor 220-240 Volt en ten minste 15 Ampère.

6. Gebruik van uw wijnkoeler

6.1 Speciale kennisgeving

- Wanneer u de Wijnkoeler voor de eerste keer gebruikt of terug aansluit nadat het toestel een tijdje was afgesloten, kunnen er een paar graden verschil zijn tussen de werkelijke temperatuur en degene die u van de LED afleest. Dit is normaal, zodra de Wijnkoeler weer enkele uren in werking is, normaliseert de temperatuur zichzelf volgens de instellingen.
- De Wijnkoeler wordt best geplaatst in een omgevingstemperatuur tussen de 16~35°C. Is de omgevingstemperatuur boven of onder deze temperatuur dan kunnen de prestaties van het apparaat worden beïnvloed. Bijvoorbeeld in extreme koude of warme omstandigheden kan de interne temperatuur schommelingen vertonen en de ingestelde temperaturen van 4(5)~18°C zouden niet bereikt kunnen worden.

6.2 Bedieningspaneel (DX-16.46K, DX-20.62K, DX-28.88K)



Verlichting

Aan en uit zetten van de LED verlichting.



+/Omhoog

Verhoog de instelbare temperatuur



-/Omlaag

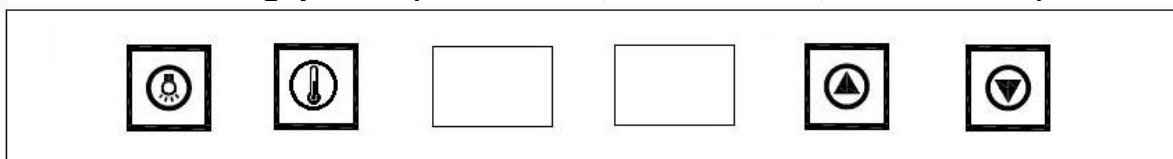
Verlaag de instelbare temperatuur



FAHRENHEIT of CELSIUS

Kies hier weergave van Fahrenheit of Celsius

6.3 Bedieningspaneel (DX-30.80DK, DX-46.128DK, DX-54.150DK)



Verlichting & FAHRENHEIT of CELSIUS

Aan en uit zetten van de LED verlichting & indien 5 seconden ingedrukt kunt u kiezen tussen weergave in °F of °C



+/Omhoog

Verhoog de instelbare temperatuur



-/Omlaag

Verlaag de instelbare temperatuur



Klimaatzone keuze knopje/ zone-selector knop

Kies welk van de 2 klimaatzones u wenst in te stellen.

LET OP!!

DX-46.128DK & DX-54.150DK hanteren een maximaal verschil van 6°C tussen beide klimaatzones. Wanneer u de klimaatkast uit zet, wacht dan 5 minuten voordat u hem weer aan zet, anders zal hij niet werken.



6.4 Display slot (alle modellen), Aan/Uit (DX-30.80DK, DX-46.128DK, DX-54.150DK)

- Uw wijnklimaatkast is uitgerust met een automatische display vergrendelaar. Deze functie blokkeert de toetsen.
- Het display zal na 12 seconden automatisch geblokkeerd worden.
- Om het display te deblokken/te activeren dient u;



pijltje omhoog en pijltje omlaag tegelijkertijd, 5 seconden ingedrukt te houden. Na 5 seconden begint het display te knipperen. Nu kunt u de instellingen wijzigen. Als u de gewenste instellingen heeft bereikt kunt u het display loslaten en zal na enkele seconden niet meer knipperen. De instellingen zijn opgeslagen.

- (DX-30.80DK, DX-46.128DK, DX-54.150DK) Om de wijnklimaatkast aan of uit te zetten

dient u de verlichtingsknop  en de zone-selector knop  tegelijkertijd voor 5 seconden ingedrukt te houden.

6.5 Maximale opslag capaciteit

Het model nummer geeft de maximale opslag capaciteit aan, deze is gebaseerd op 750ml Bordeaux flessen. En het aantal liters inhoud.

B.v. DX16.46K –maximaal 16 flessen en 46 liter inhoud.

7. Zorg en Onderhoud

7.1 Ontvriezen van uw wijnkoeler

Het toestel ontdooit automatisch. De verdampers achter de achterste wand van het toestel ontdooit automatisch. De condensatie wordt verzameld in een drainage kanaal aan de achterwand van het toestel, waarna de condensatie wordt opgevangen in een reservoir naast de compressor en verdampt.

7.2 Uw wijnkoeler schoonmaken

- Schakel het toestel uit en verwijder de wijnflessen en de laden.
- Was de binnenwanden met warm water en soda (twee soeplepels soda op ¼ l water).
- Was de laden met een zacht detergent.
- De buitenkant van de Wijnkoeler wordt best schoongemaakt met een zacht detergent en warm water.
- Verwijder zoveel mogelijk vocht uit het poetsdoek voor het poetsen van de zone rond het controlepaneel en de elektrische delen. Droog alle delen na met een zachte, schone doek.

7.3 Vakantie tijd

- **Korte vakanties:** Voor periodes van afwezigheid van minder dan drie weken kan het toestel aangesloten blijven.
- **Lange vakanties:** Indien het toestel gedurende meerdere maanden niet gebruikt wordt; de onderdelen verwijderen, het toestel uitschakelen en de stekker uit het stopcontact nemen. Maak het interieur schoon en goed droog met een zachte doek. Om onaangename geuren en het vormen van schimmel te voorkomen : laat de deur op een kier staan en blokkeer zo nodig de deur zodat deze niet toevalt.

7.4 Het verplaatsen of verhuizen van uw wijnkoeler

- Al de wijnflessen verwijderen.
- Maak al de losse delen (laden) vast met tape.
- Tape de deur dicht.
- Bescherm de buitenkant met een deken of gelijkaardig doek.

7.5 Energie besparingstips

- De wijnkoeler kunt u het best plaatsen in de koelste zone van de kamer, ver van hitte producerende toestellen, en niet in het directe zonlicht.
- Het overladen van de Wijnkoeler verplicht de compressor om gedurende langere tijd te werken.

8. Problemen met uw wijnkoeler?

Eventueel voorkomende problemen met de wijnkoeler kunnen gemakkelijk opgelost worden aan de hand van onderstaande checklijst, en zodoende kan een oproep naar de technische dienst vermeden worden. Volg eerst onderstaande checklijst vooraleer de technische dienst te contacteren.

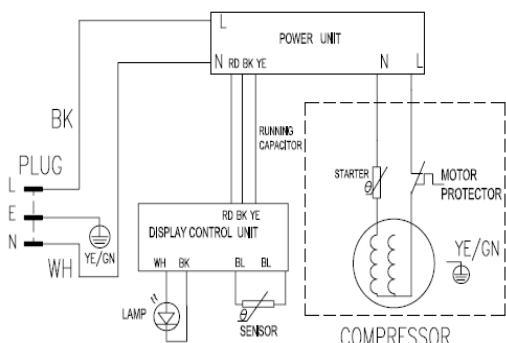
Storings Checklijst

PROBLEEM	Mogelijke Oorzaak
Wijnkoeler werkt niet:	Stekker niet in het contact gestoken. De stroomonderbreker is geactiveerd of een zekering is gesprongen.
Toestel schakelt regelmatig aan en uit:	De kamertemperatuur is hoger dan normaal. De deur is dikwijls geopend. De deur is niet volledig gesloten. De temperatuurcontrole is niet correct ingesteld. De deurpakking sluit niet volledig af. De wijnkoeler staat niet vrij genoeg (bv ingebouwd).
De Wijnkoeler vibreert:	Kijk na of het toestel correct waterpas staat.
De Wijnkoeler is te luidruchtig:	Het geluid kan veroorzaakt worden door de stroming van het koelmiddel, dit is normaal. Bij het einde van een cyclus kan een gorgelend geluid waargenomen worden, dat veroorzaakt wordt door het stromen van het koelmiddel in uw Wijnkoeler. Het uitzetten en inkrimpen van de binnenwanden kan een poppend of krakend geluid veroorzaken. De Wijnkoeler staat niet waterpas.
De deur sluit niet voldoende:	De Wijnkoeler staat niet waterpas. De deur was omgekeerd en is niet correct geplaatst. De pakking is niet schoon. De laden werden niet correct geplaatst.

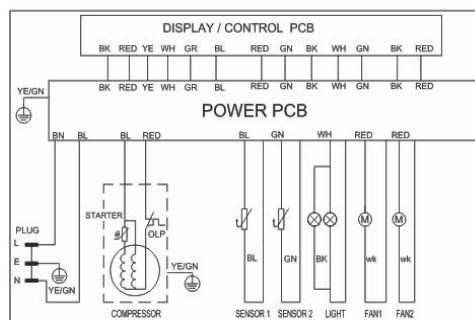
Voor technische specificaties, energieklassen indeling en verbruik kunt u kijken op het label achterop de wijnkoeler en het aangebrachte energylabel.

Dunavox behoudt zich het recht toe om aanpassingen in dit document te maken zonder u daarvan op de hoogte te stellen.

9. BEDRADINGS SCHEMA



DX-16.46K, DX-20.62K, DX-28.88K



DX-30.80DK, DX-46.128DK, DX-54.150DK

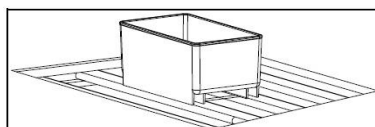
10. TECHNISCHE GEGEVENS

Model		DX-16.46K	DX-20.62K	DX-28.88K
Volume (liter)		46L	62L	88L
Materiaal	Corpus	Staal	Staal	Staal
	Deur	Glas	Glas	Glas
Afmetingen Wijnkast (BxDxH)(mm)		430x480x510	430x480x640	430x480x825
Afmetingen verpakking (BxDxH)(mm)		460x515x530	460x540x660	460x515x845
Netto Gewicht (Kg)		18	22	26
Bruto Gewicht (Kg)		19	24	28
Verbruik (KWh/24h)		0.52	0.858	0.858
Koelmiddel		R600a	R600a	R600a
Temperatuur Bereik		4-18°C	4-18°C	4-18°C
Temperatuur tolerantie		+/- 2 °C	+/- 2 °C	+/- 2 °C
Voltage		AC 220V	AC 220V	AC 220V
Frequentie		50Hz	50Hz	50Hz
Vermogen		85W	85W	85W

Model		DX-30.80DK	DX-46.128DK	DX-54.150DK
Volume (liter)		80L	128L	158L
Materiaal	Corpus	Staal	Staal	Staal
	Deur	Glas	Glas	Glas
Afmetingen Wijnkast (BxDxH)(mm)		480x490x835	480x470x1125	480x470x1295
Afmetingen verpakking (BxDxH)(mm)		510x520x870	510x520x1165	510x520x1335
Netto Gewicht (Kg)		28	42	47,6
Bruto Gewicht (Kg)		30	44,5	50
Verbruik (KWh/24h)		0.516	0,63	0,64
Koelmiddel		R600a	R600a	R600a
Temperatuur Bereik Temperatuur tolerantie		5-18°C +/- 2 °C	5-18°C +/- 2 °C	5-18°C +/- 2 °C
Voltage		AC 220V	AC 220V	AC 220V
Frequentie		50Hz	50Hz	50Hz
Vermogen		88W	100W	100W

Luchtvochtigheidsregeling

Deze wijnkoeler is uitgerust met een systeem voor het handhaven van de luchtvochtigheid. Bij extreem droge weersomstandigheden moet u wellicht wat water in het plastic bakje doen welk is meegeleverd in de wijnkoeler. Vul het plastic bakje voor $\frac{3}{4}$ vol met water, en plaats deze op de bovenste legger in de wijnkoeler. Controleer het waterpeil regelmatig en vul deze bij als dat nodig is. Zorg ervoor dat het bakje correct op de geleiders op de bovenste legger staan om eventueel water morsen te voorkomen.



Deze markering geeft aan dat dit product niet mag worden weggegooid met ander huishoudelijk afval in de gehele EU. Om mogelijke schade aan het milieu of de menselijke gezondheid door ongecontroleerde afvalverwijdering te voorkomen, recycle het op een verantwoorde manier om het duurzame hergebruik van grondstoffen te bevorderen. Om uw gebruikte apparaat af te voeren, kunt u gebruik maken van het terugkeer en inzamelsystemen of neemt u contact op met de winkel waar het product is gekocht. Zij kunnen dit product milieuvriendelijk recyclen.



DUNAVOX

INSTRUKCJA OBSŁUGI

Model:

**DX-16.46K/DX-20.62K/DX-28.88K
DX-30.80DK/DX-46.128DK/DX-54.150DK**

Chłodziarka na wino



(Photo: DX-28.88K)

UWAGA:

PROSIMY O ZAPOZNANIE SIĘ Z ZASADAMI UŻYTKOWANIA URZĄDZENIA ZAMIESZCZONYMI W NINIEJSZEJ INSTRUKCJI PRZED PIERWSZYM PODŁĄCZENIEM URZĄDZENIA DO PRĄDU

SPIS TREŚCI

1. BEZPIECZEŃSTWO W UŻYTKOWANIU CHŁODZIARKI NA WINA	41
2. ZASADY BEZPIECZEŃSTWA.....	42
3. BUDOWA CHŁODZIARKI.....	43
4. WAŻNE INSTRUKCJE BEZPIECZEŃSTWA	44
5. INSTALACJA CHŁODZIARKI	44
5.1. ZANIM PODŁĄCZYSZ CHŁODZIARKĘ	44
5.2. INSTALACJA TWOJEJ CHŁODZIARKI NA WINA	45
5.3. PODŁĄCZENIE ELEKTRYCZNE.....	45
5.4. PRZEDŁUŻACZ	45
6. DZIAŁANIE CHŁODZIARKI	46
6.1. UWAGI SPECJALNE	46
6.2. PANEL KONTROLNY (DX-16.46K, DX-20.62K, DX-28.88K)	46
6.3. PANEL KONTROLNY (DX-30.80DK, DX-46.128DK, DX-54.150DK).....	46
6.4. PANEL KONTROLNY (WSZYSTKIE MODELE), PRZYCISK ON/OFF (DX-30.80DK, DX-46.128DK, DX-54.150DK)	47
6.5. POJEMNOŚĆ.....	47
7. KONSERWACJA CHŁODZIARKI.....	47
7.1. ODMRAŻANIE	47
7.2. CZYSZCZENIE CHŁODZIARKI NA WINA.....	47
7.3. WAKACJE.....	47
7.4. PRZESUWANIE/TRANSPORT CHŁODZIARKI	47
7.5. OSZCZĘDNOŚĆ ENERGII	48
8. PROBLEMY W UŻYTKOWANIU CHŁODZIARKI?	48
9. DIAGRAM	49
10. DANE TECHNICZNE	49

TEN PRODUKT SŁUŻY WYŁĄCZNIE DO PRZECHOWYWANIA WINA.

1. BEZPIECZEŃSTWO W UŻYTKOWANIU CHŁODZIARKI NA WINA

PAŃSTWA BEZPIECZEŃSTWO JEST BARDZO WAŻNE.

W tej instrukcji zawarte są bardzo ważne zasady bezpiecznego użytkowania chłodziarki. Proszę zawsze czytać instrukcje urządzeń elektrycznych przed podłączeniem ich do źródła zasilania



To jest znak Alarmu Bezpieczeństwa. Ten symbol zwraca uwagę na potencjalne zagrożenie, które może spowodować zranienie bądź zagrożenie życia. Wszystkie wiadomości na temat bezpieczeństwa w użytkowaniu chłodziarki będą zawierały ten symbol i oznaczenie zagrożenia "DANGER"(Niebezpieczeństwo) "WARNING" (Ostrzeżenie) lub "CAUTION"(Uwaga).



DANGER oznacza, że niezastosowanie się do oznaczonej tym symbolem czynności może prowadzić do uszczerbku na zdrowiu lub zagrożenia życia.



WARNING oznacza, że niezastosowanie się do oznaczonej tym symbolem czynności może prowadzić do poważnego uszkodzenia urządzenia, uszczerbku na zdrowiu bądź zagrożenia życia



CAUTION oznacza, że niezastosowanie się do oznaczonej tym symbolem czynności może prowadzić do mniejszego zagrożenia uszczerbku na zdrowiu ale poważnego uszkodzenia urządzenia,.

Wszystkie informacje i symbole zawarte w niniejszej instrukcji proszę traktować bardzo poważnie i zastosować się do nich, aby zmniejszyć ryzyko zagrożenia życia i zdrowia.

2. ZASADY BEZPIECZEŃSTWA



Zanim podłączysz chłodziarkę na wina do źródła zasilania, musi być prawidłowo ustawiona i zainstalowana – zgodnie z zasadami przedstawionymi w niniejszej instrukcji. Aby zapobiec ewentualnemu ryzyku powstania pożaru czy wstrząsu elektrycznego prosimy postępować zgodnie z zasadami:



- Proszę podłączyć chłodziarkę na wina do gniazda z uziemieniem. Proszę nie używać przedłużacza.
- Rekomendujemy podłączenie chłodziarki do oddzielnego obiegu, który zasila jedynie chłodziarkę.
- Nigdy nie należy czyścić chłodziarki ani jej części środkami łatwopalnymi. Opary takich środków mogą być niebezpieczne i spowodować zagrożenie pożarem. Nie należy też przechowywać środków łatwopalnych w pobliżu chłodziarki gdyż mogą powodować zagrożenie pożarem
- Przed przystąpieniem do czyszczenia chłodziarki proszę upewnić się, że przewód zasilania jest odłączony od prądu
- Proszę nie włączać urządzenia do prądu ani odłączać urządzenie, jeśli ma się mokre ręce.
- Proszę nie naprawiać urządzenia na własną rękę, chyba że taka czynność jest opisana w niniejszej instrukcji. Pozostałe czynności może wykonywać tylko wykwalifikowany technik w punkcie serwisowym

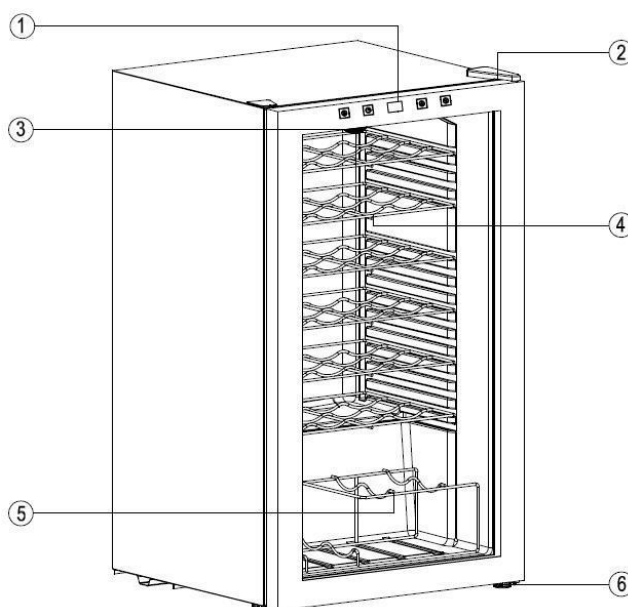


PROSZĘ POSTĘPOWAĆ WG PONIŻSZYCH ZASAD W ZALEŻNOŚCI OD WYBRANEGO MODELU.

- Chłodziarka powinna być przenoszona przy pomocy przynajmniej 2 osób. Próba samodzielnego podniesienia chłodziarki może skutkować urazami m.in kręgosłupa
- Aby zapewnić właściwą wentylację chłodziarki na wina, jej część frontowa nie może być zabudowana czy zastawiona. Chłodziarka powinna być umieszczona w pomieszczeniu z dobrą wentylacją powietrza o temperaturze nie niższej niż 16°C i nie wyższej niż 32°C. To urządzenie powinno być umieszczone w miejscu wolnym od kropli deszczu (lub innych potencjalnych kropli wody od zraszaczy itp.).
- Chłodziarka na wina nie powinna być umieszczona w pobliżu piekarnika, grilla czy innych źródeł ciepła.
- Chłodziarka powinna zostać podłączona zgodnie z zaleceniami prawnymi. Standardowe gniazdko (220-240V, prąd zmienny, 50 Hz), stosownie uziemione zgodnie z lokalnymi przepisami.
- Nie wolno przecinać czy dziurawić przewodu zasilania.
- Bezpiecznik powinien posiadać maksymalną przepustowość 15A.

- Ważne jest aby chłodziarka została wypoziomowana przed podłączeniem. Wyrównaj poziom chłodziarki przez dopasowanie wysokości przedniej nóżki (należy ją dokręcić lub odkręcić).
- Instalacja musi przebiegać zgodnie z zarządzeniami wodno-kanalizacyjnymi
- Upewnij się że rury nie są uszkodzone
- Upewnij się że nie ma przecieków po instalacji
- NIGDY nie pozwól dzieciom bawić się czy wchodzić do środka chłodziarki.
- Urządzenie nie powinno być wykorzystywane niezgodnie z przeznaczeniem.
- Urządzenie nie jest przeznaczone dla osób (w tym dzieci) z obniżoną sprawnością psychomotoryczną lub brakiem wiedzy i doświadczenia. Takie osoby powinny korzystać z chłodziarki wyłącznie pod opieką osoby odpowiedzialnej za ich bezpieczeństwo.
- Nie używaj urządzenia jeśli źródło zasilania, kabel, lub samo urządzenie są uszkodzone.

3. BUDOWA CHŁODZIARKI



(rysunek poglądowy)

1	Panel kontrolny	4	Półka
2	Zawias górny	5	Półka ekspozycyjna
3	Oświetlenie LED	6	Nóżka poziomująca

4. WAŻNE INSTRUKCJE BEZPIECZEŃSTWA

OSTRZEŻENIE

W celu ochrony przed porażeniem prądem proszę przestrzegać poniższych zasad bezpieczeństwa.

- Przeczytaj wszystkie instrukcje zanim podłączysz swoją chłodziarkę na wina.
- OSTRZEŻENIE: urządzenie stanowi ryzyko dla dziecka bawiącego się bez nadzoru opiekuna.
- Zanim wyrzucisz swoją starą chłodziarkę na wina: zdejmij drzwiczki, zostaw półki w urządzeniu, aby dzieci nie mogły łatwo dostać się do środka i zamknąć w urządzeniu.
- Nigdy nie pozwalaj dzieciom wchodzić do środka urządzenia, bawić się nim bądź włączać.
- Nigdy nie używaj środków łatwopalnych do czyszczenia urządzenia, nie przechowuj środków łatwopalnych (cieczy i gazów) w pobliżu tego urządzenia. Opary takich środków mogą być niebezpieczne.
- Nie przechowuj ani nie używaj benzyny ani innych łatwopalnych płynów w pobliżu chłodziarki.
- Nie próbuj naprawiać lub wymieniać części chłodziarki o ile nie zostało to opisane w instrukcji. Bezpiecznik powinien być zastąpiony takim samym typem

- Zachowaj tą instrukcję -

5. INSTALACJA CHŁODZIARKI

5.1. Zanim podłączysz chłodziarkę

- Usuń opakowanie zewnętrzne oraz wewnętrzne zabezpieczenia.
- Sprawdź, czy masz następujące części:
 - Drewniane lub chromowane półki
 - Instrukcja obsługi
- Wyczyść wnętrze chłodziarki wilgotną szmatką.

5.2. Instalacja Twojej chłodziarki na wina

- Ta chłodziarka może być przeznaczona do zabudowy
- Umieść chłodziarkę na podłodze lub na powierzchni, która utrzyma jej ciężar, kiedy będzie w pełni załadowana.
- Allow 1-5 cm of space between the back and sides of the Wine **Cooler, which allows the** proper air circulation to cool the heat sink.
- Chłodziarkę należy zainstalować w miejscu, gdzie nie ma bezpośredniego wpływu promieni słonecznych i źródeł ciepła (piec, kaloryfer itp). Bezpośredni wpływ promieni słonecznych bądź innych źródeł ciepła może spowodować wadliwe działanie chłodziarki .
- Chłodziarka musi stać w suchym miejscu.
- To urządzenie powinno być podłączone do gniazda z uziemieniem. Pod żadnym pozorem nie wolno przeciąć lub zniszczyć kabla. Urządzenie wymaga standardowego gniazda 220V-50Hz.
- Po podłączeniu urządzenia do prądu pozwól mu schłodzić wewnątrz przez 2-3 godziny zanim włożysz butelki z winem.
- Przed podłączeniem do prądu chłodziarka musi stać przez 24 godziny po transporcie niepodłączona.

5.3. Podłączenie elektryczne.

Ostrzeżenie

Nieprawidłowe używanie kabla może spowodować ryzyko porażenia prądem. Jeśli kabel jest uszkodzony proszę zawiadomić producenta..

- This To urządzenie powinno być podłączone do gniazda z uziemieniem. Pod żadnym pozorem nie wolno przeciąć lub zniszczyć kabla
- Do not under any circumstances cut or remove the third ground prong from the power cord supplied. For personal safety, this appliance must be properly grounded.
- Urządzenie wymaga standardowego gniazda 220V-50H.
- The Kabel powinien być zabezpieczony z tyłu chłodziarki , nie powinien wisieć, aby nie powodować zagrożenia potknięcia się o niego czy też innego wypadku.
- Chłodziarka powinna być podłączona do gniazdkda z odpowiednim napięciem. W ten sposób można zapewnić optymalną pracę i zabezpieczyć się przed przeciążeniem sieci. Nie należy odłączać urządzenia wyciągając kabel, ale łapiąc wtyczkę I wyciągając ją z gniazdkda. Uszkodzone kable należy niezwłocznie wymienić. Nie należy używać kabli z widocznymi pęknięciami. Przy przenoszeniu chłodziarki należy być ostrożnym, żeby nie uszkodzić kabla zasilającego

5.4. Przedłużacz

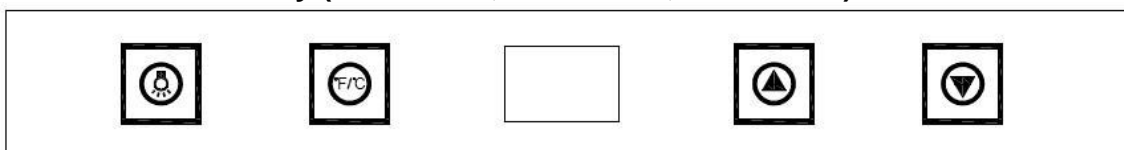
Zaleca się nie stosowanie przedłużacza do tego urządzenia. Jeśli jest to konieczne, proszę podłączyć wyłącznie przedłużacz z uziemieniem

6. DZIAŁANIE CHŁODZIARKI

6.1. Uwagi specjalne

- Gdy chłodziarka jest włączana po raz pierwszy, lub restartowana po długiej przerwie temperatura pokazywana na wyświetlaczu może różnić się o pare stopni od na która ustawiona została chłodziarka. To zjawisko jest normalne i wynika z długości czasu aktywacji. Problem ten zniknie po paru godzinach pracy chłodziarki
- Chłodziarka powinna zostać umieszczona w pomieszczeniu w którym temperatura waha się między 16~32°C/60~90°F. Jeśli temperatura pomieszczenia jest wyższa lub niższa, może mieć to wpływ na pracę chłodziarki.

6.2. Panel kontrolny (DX-16.46K, DX-20.62K, DX-28.88K)



ŚWIATŁO

Włącza I wyłącza wewnętrzne światło



ZWIĘKSZ

Zwiększa temperature o jeden stopien °C lub °F



ZMNIJSZ

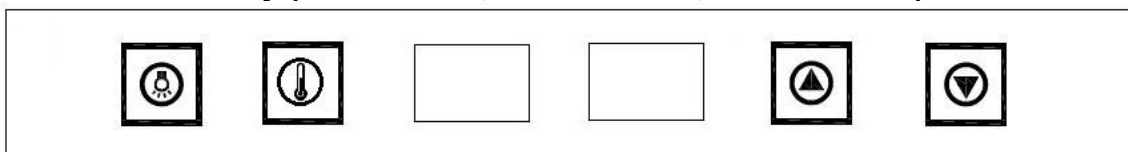
Zmniejsza temperature o jeden stopien °C lub °F



STOPNIE FAHRENHEITA/CELCIUSZA

Przytrzymany przez 5s zmienia jednostkę temperatury

6.3. Panel kontrolny (DX-30.80DK, DX-46.128DK, DX-54.150DK)



ŚWIATŁO/ STOPNIE FAHRENHEITA/CELCIUSZA

Włącza I wyłącza wewnętrzne światło/ Przytrzymany przez 5s zmienia jednostkę temperatury



ZWIĘKSZ

Zwiększa temperature o jeden stopien °C lub °F



ZMNIJSZ

Zmniejsza temperature o jeden stopien °C lub °F



WYBÓR STREFY

Pozwala dostosowywać temperature w górnej I dolnej strefie

Uwaga!

Modele DX-46.128DK i DX-54.150DK pozwalają na maksymalną różnicę 6 stopni

6.4. Panel kontrolny (wszystkie modele), przycisk ON/OFF (DX-30.80DK, DX-46.128DK, DX-54.150DK)

- Panel kontrolny wyłącza się AUTOMATYCZNIE to zapobiega niepożądanym zmianom temperatury
- Panel wyłączy się 12 sekund po użyciu.
- Aby odblokować panel przytrzymaj przycisk zwiększania I przycisk zmniejszania przez 5 sekund. Panel zaświeci się.
- Aby włączyć/wyłączyć urządzenie, należy przycisnąć przyciski ŚWIATŁO I WYBÓR STREF przez 5 sekund.

6.5. Pojemność

W chłodziarce można umieścić 16 (DX-16.46K), 20 (DX-20.62K), 28 (DX-28.88K), 30 (DX-30.80DK), 46 (DX-46.128DK), 56 (DX-54.150DK) butelek. Many bottles may differ in size and dimensions. Wiele butelek ma inny kształt i rozmiar. Faktyczna ilość butelek, którą można przechowywać w chłodziarce może być w związku z tym różna.

7. KONSERWACJA CHŁODZIARKI

7.1. Odmrażanie

Urządzenie rozmraża się mechanicznie.

7.2. Czyszczenie chłodziarki na wina

- Odłącz chłodziarkę, wyjmij butelki i półki
- Umyj wnętrze chłodziarki wodą i delikatnym detergentem.
- Umyj półki
- Obudowa chłodziarki powinna być również wyczyszczona delikatnym detergentem i wodą
- Wytrzyj do sucha wnętrze chłodziarki oraz półki szmatką

7.3. Wakacje

- Krótkie wakacje
Zostaw chłodziarkę włączoną jeśli czas wakacji nie przekracza 3 tygodni
- Długie wakacje
Jeśli urządzenie nie będzie używane przez kilka tygodni, lub miesięcy usuń wszystkie butelki i wyłącz je. Zostaw drzwiczki otwarte, aby zapewnić cyrkulację powietrza wewnątrz i zapobiec ewentualnemu powstaniu pleśni

7.4. Przesuwanie/transport chłodziarki

- Wyjmij butelki
- Zabezpiecz półki wewnątrz chłodziarki (taśmą klejącą)
- Zamknij drzwiczki i zaklej taśmą
- Obudowę osłoń kocem lub czymś podobnym

7.5. Oszczędność energii

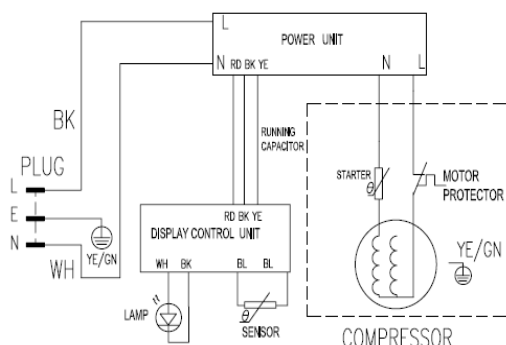
- Chłodziarka powinna być ustawiona w najchłodniejszym miejscu w pomieszczeniu, z dala od urządzeń wytwarzających ciepło.
- Przeładowanie chłodziarki powoduje, że kompresor pracuje dłużej.

8. PROBLEMY W UŻYTKOWANIU CHŁODZIARKI?

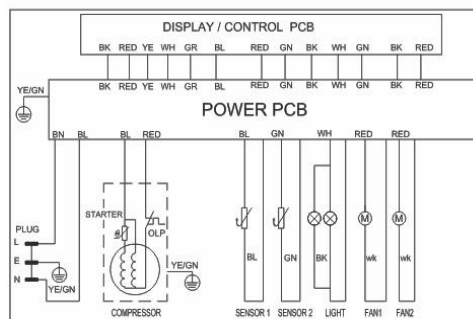
Możesz w łatwy sposób rozwiązać wiele problemów, bez potrzeby oddawania do serwisu. Wypróbuj poniższych wskazówek zanim odeślesz chłodziarkę do naprawy.

PROBLEM	MOŻLIWA PRZYCZYNA
Chłodziarka nie działa.	Chłodziarka nie jest podłączona. Bezpiecznik zepsuł się, nie ma dopływu prądu.
Chłodziarka włącza się i wyłącza.	Temperatura w pomieszczeniu jest wyższa niż wskazana. Drzwiczki są otwierane zbyt często. Drzwiczki nie są domknięte. Temperatura nie jest ustawiona dobrze. Uszczelka na drzwiach nie przylega dokładnie i drzwi nie są szczelne. Chłodziarka nie ma pozostawionej wymaganej przestrzeni wolnej.
Wibracje. Sprawdź	czy chłodziarka jest wypoziomowana
Chłodziarka głośno pracuje.	Odgłos może być spowodowany normalnym przepływem płynu chłodzącego. Kurczenie i rozkurczanie ścian może powodować trzeszczenie. Chłodziarka nie jest wypoziomowana.
Drzwiczki nie otwierają się do końca.	Chłodziarka nie jest wypoziomowana. Drzwiczki zostały źle zainstalowane. Półki są w złej pozycji .

9. DIAGRAM



DX-16.46K, DX-20.62K, DX-28.88K



DX-30.80DK, DX-46.128DK, DX-54.150DK

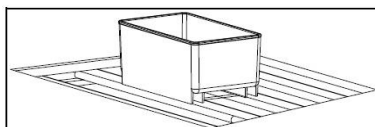
10. DANE TECHNICZNE

Model	DX-16.46K	DX-20.62K	DX-28.88K
Pojemność (litry)	46L	62L	88L
Materiał	Obudowa	Stal	Stal
	Drzwi	Szkło	Szkło
Wymiary urządzenia (S×G×W)(mm)	430x480x510	430x480x640	430x480x825
Wymiary opakowania (S×G×W)(mm)	460x515x530	460x540x660	460x515x845
Waga netto (Kg)	18	22	26
Waga brutto (Kg)	19	24	28
Konsumpcja prądu (KWh/24h)	0.52	0.858	0.858
Substancja chłodząca	R600a	R600a	R600a
Zasięg temperatur	4-18°C	4-18°C	4-18°C
Tolerancja	+/- 2 °C	+/- 2 °C	+/- 2 °C
Napięcie	AC 220V	AC 220V	AC 220V
Częstotliwość	50Hz	50Hz	50Hz
Moc	85W	85W	85W

Model		DX-30.80DK	DX-46.128DK	DX-54.150DK
Pojemność (litry)		80L	128L	158L
Materiał	Obudowa	Stal	Stal	Stal
	Drzwi	Szkło	Szkło	Szkło
Wymiary urządzenia (S×G×W)(mm)		480x490x835	480x470x1125	480x470x1295
Packaging Dimension (W×D×H)(mm)		510x520x870	510x520x1165	510x520x1335
Waga netto (Kg)		28	42	47,6
Waga brutto (Kg)		30	44,5	50
Konsumpcja prądu (KWh/24h)		0.516	0,63	0,64
Substancja chłodząca		R600a	R600a	R600a
Zasięg temperatur Tolerancja		5-18°C +/- 2 °C	5-18°C +/- 2 °C	5-18°C +/- 2 °C
Napięcie		AC 220V	AC 220V	AC 220V
Częstotliwość		50Hz	50Hz	50Hz
Moc		88W	100W	100W

KONTROLA WILGOTNOCI

Urządzenie posiada system utrzymujący odpowiedni poziom wilgotności. W skrajnie suchych warunkach może wystąpić potrzeba wiania wody do pudełka nawilżającego. Pudełko należy wypełnić do 3/4 wysokości i umieścić na prowadnicach górnej półce. Poziom wody trzeba regularnie sprawdzać i w razie potrzeby uzupełnić. Proszę upewnić się, że pudełko jest zamontowane poprawnie, aby uniknąć wylania się.



Tego produktu nie wolno wyrzucać do zwykłych pojemników na odpady. Obowiązkiem użytkownika jest przekazanie zużytego sprzętu do wyznaczonego punktu zbiórki w celu recyklingu odpadów powstałych ze sprzętu elektrycznego i elektronicznego. Zapewniając prawidłową utylizację pomagasz chronić środowisko naturalne. W celu uzyskania bardziej szczegółowych informacji dotyczących recyklingu niniejszego produktu należy skontaktować się z przedstawicielem władz lokalnych, dostawcą usług utylizacji odpadów lub sklepem, gdzie nabyto produkt.



DUNAVOX

MANUAL DE UTILIZARE

Pentru Modelele:

**DX-16.46K/DX-20.62K/DX-28.88K
DX-30.80DK/DX-46.128DK/DX-54.150DK**

Răcitoare de vin



(Foto: DX-28.88K)

ATENȚIE!

CITIȚI ATENT INSTRUCȚIUNILE ÎNAINTE DE UTILIZARE! RESPECTAȚI CU STRICTEȚE MĂSURILE DE SIGURANȚĂ ȘI REGULILE DE OPERARE!

TABLA DE MATERII

1. REGULI DE SIGURANȚĂ PENTRU RĂCITOARE DE VIN	53
2. RECOMANDĂRI IMPORTANTE	54
3. PĂRȚI COMPONENTE ȘI CARACTERISTICI	55
4. INSTRUCȚIUNI DE SIGURANȚĂ	56
5. INSTRUCȚIUNI DE INSTALARE	56
5.1. ÎNAINTE DE PRIMA UTILIZARE	56
5.2. INSTALAREA RĂCITORULUI DE VIN.....	57
5.3. CONECTAREA LA REȚEAUA ELECTRICĂ.....	57
5.4. FOLOSIREA PRELUNGITOARELOR	57
6. OPERAREA RĂCITORULUI DE VIN	58
6.1. ATENȚIONARE.....	58
6.2. PANOUL DE COMANDA (DX-16.46K, DX-20.62K, DX-28.88K)	58
6.3. PANOUL DE COMANDA (DX-30.80DK, DX-46.128DK, DX-54.150DK).....	58
6.4. BLOCAREA PANOULUI DE COMANDĂ (TOATE MODELELE), COMUTATORUL ON/OFF (DX-30.80DK, DX-46.128DK, DX-54.150DK)	59
6.5. CAPACITATEA DE DEPOZITARE	59
7. ÎNTREȚINERE	59
7.1. DEZGHEȚAREA RĂCITORULUI DE VIN	59
7.2. CURĂȚAREA RĂCITORULUI DE VIN.....	59
7.3. PE TIMPUL CONCEDIULUI.....	59
7.4. DEPLASAREA RĂCITORULUI DE VIN.....	59
7.5. ECONOMIA DE ENERGIE	60
8. ÎN CAZ DE PROBLEME	60
9. SCHEMA ELECTRICĂ	61
10. DATE TEHNICE	61

ACEST PRODUS ESTE DESTINAT EXCLUSIV PENTRU DEPOZITAREA VINULUI.

1. REGULI DE SIGURANȚĂ PENTRU RĂCITOARE DE VIN

SIGURANȚA DVS. ȘI A CELOR DIN JUR ESTE PRIMORDIALĂ.

În acest manual veți găsi multe măsuri de siguranță importante. Ele trebuie citite atent și respectate cu strictețe.



Acesta este simbolul de pericol asociat unui mesaj privitor la siguranța Dvs. Acest simbol atrage atenția asupra unui paragraf descriind posibile situații periculoase care pot conduce la decesul sau rănirea Dvs. sau a celor din jur.

Acest simbol poate de asemenea fi urmat de cuvintele „**DANGER**”, “**WARNING**” sau “**CAUTION**”.



DANGER (PERICOL) înseamnă că nerespectarea acestei măsuri atrage pericolul de deces sau rănire.



WARNING (AVERTISMENT) înseamnă că nerespectarea acestei măsuri poate atrage defectarea gravă a aparatului, rănire sau deces.



CAUTION (PRUDENȚĂ) înseamnă că nerespectarea acestei măsuri poate produce daune asupra aparatului, a mediului ambiant sau rănirea unei persoane.

Toate aceste mesaje vă previn asupra riscurilor, vă instruiesc asupra modului în care accidentele pot fi evitate și vă informează asupra consecințelor nerespectării instrucțiunilor de siguranță.

2. RECOMANDĂRI IMPORTANTE



Înainte de utilizare, răcitorul de vin trebuie instalat și poziționat conform instrucțiunilor din acest manual, care trebuie citite cu atenție. Pentru a reduce riscul de incendiu, scurt circuit sau electrocutare se vor respecta următoarele măsuri de precauție elementare:



- Conectarea la rețeaua electrică se va face numai cu ajutorul unei prize cu împământare, verificați existența lamelei de împământare în ștecher, nu folosiți adaptoare sau prelungitoare.
- Se recomandă ca aparatul să fie conectat pe un circuit electric separat față de alți consumatori electrici casnici. Nu folosiți în circuitul electric al aparatului elemente prin care alimentarea poate fi întreruptă (de exemplu prize cu comutator).
- Nu folosiți lichide inflamabile pentru curățarea aparatului sau a unor părți ale acestuia. Vaporii acestora pot crea un risc de foc sau explozie. Nu depozitați benzină sau alte lichide volatile sau inflamabile în apropierea aparatului. Vaporii acestora pot crea un risc de foc sau explozie.
- Înainte de a efectua operații de curățare sau întreținere a aparatului deconectați-l în prealabil de la rețeaua de alimentare electrică.
- Nu conectați sau deconectați aparatul de la rețea cu mâinile umede.
- Pentru curățare sau întreținere scoateți întâi ștecherul din priză, în caz contrar există risc de deces prin electrocutare.
- Nu încercați să reparați sau înlocuiți piese ale aparatului Dvs. dacă acest lucru nu este în mod explicit indicat în acest manual. Orice altă intervenție la aparat trebuie făcută de un tehnician autorizat.



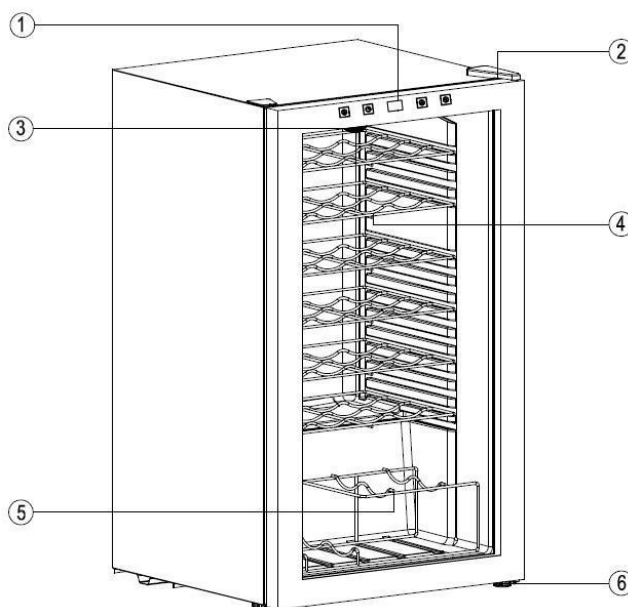
RESPECTAȚI RECOMANDĂRILE APLICABILE MODELULUI DVS.

- Pentru instalarea aparatului rugați una sau mai multe persoane să vă ajute. Ridicarea/deplasarea aparatului de unul singur poate genera dureri de spate sau alte consecințe nedorite.
- Pentru asigurarea ventilării corecte a aparatului Dvs. este necesar ca partea din față a răcitorului să fie total degajată. Plasați aparatul într-o zonă bine ventilată cu o temperatură cuprinsă între 60°F (16°C) și 90°F (32°C). Aparatul trebuie să fie ferit de acțiunea vântului, ploii, stropilor sau vaporilor de apă.
- Răcitorul de vin nu trebuie să fie instalat lângă cuptoare, grătare sau alte surse de căldură intensă.
- Răcitorul de vin trebuie instalat respectând toate normele locale referitoare la conectarea aparatelor electrocasnice la rețelele de apă, canal și electricitate. Priza de curent electric (220-240V c.a., 50 Hz) trebuie să fie împământată conform standardelor locale aplicabile.
- Nu îndoiiți excesiv sau deteriorați izolația cablului de alimentare.
- Siguranța circuitului electric pe care este conectat răcitorul de vin trebuie să fie calibrată la 15A.
- Pentru a funcționa corect, răcitorul de vin trebuie așezat perfect orizontal folosind o nivelă. Pot fi necesare mai multe ajustări succesive pentru un rezultat perfect.
- Instalarea trebuie efectuată respectând standardele locale de instalații.
- Țevile nu trebuie să fie gătuite sau ciupite pe timpul instalării.
- După instalare trebuie verificată etanșeitarea țevelor.
- Nu lăsați copiii să umble la răcitorul de vin, să se joace sau să pătrundă în interiorul aparatului.
- Deși aparatul a fost testat inițial în fabrică, el a fost apoi transportat și depozitat pentru o perioadă

relativ lungă. De aceea este recomandabil ca primele loturi de cuburi de gheață să fie înlăturate.

- Nu se vor folosi pentru curățarea interiorului aparatului substanțe abrazive sau conținând solvenți.
- Aparatul se va folosi exclusiv pentru scopul în care a fost proiectat.
- Acest aparat nu este destinat să fie folosit de persoane (inclusiv copii) cu dizabilități de orice natură sau fără experiența și cunoștințele necesare pentru operarea unui astfel de aparat, mai puțin în cazul în care o persoană responsabilă de siguranța lor le-a instruit în prealabil.
- Nu utilizați aparatul în cazul în care priza, cablul de alimentare sau aparatul prezintă urme de deteriorare. În caz de nevoie, pentru a se evita accidentele, cablul de alimentare poate fi înlocuit de un instalator autorizat, un centru de service sau o persoană similar calificată.
- Copiii vor fi supravegheați în așa fel încât să nu se poată juca la aparat. Cablul de alimentare trebuie să nu fie accesibil copiilor. Nu lăsați cablul de alimentare să atârne peste marginea mesei sau a blatului de lucru pe care este așezat aparatul.

3. PĂRȚI COMPONENTE ȘI CARACTERISTICI



(desenul este orientativ)

1	Panoul de comandă	4	Raft
2	Masca balamalei	5	Raft de prezentare
3	Iluminare LED	6	Picior de sprijin

4. INSTRUCȚIUNI DE SIGURANȚĂ

⚡WARNING⚡

Pentru reducerea riscului de incendiu, electrocutare sau rănire în timpul folosirii aparatului, vă rugăm să respectați următoarele recomandări:

- Citiți toate instrucțiunile înainte de utilizarea răcitorului de vin
- **PERICOL/AVERTISMENT:** Risc de încuiere pe dinăuntru a copiilor.
Încuierea pe dinăuntru și sufocarea copiilor sunt din păcate posibile. Aparatele stricate sau abandonate sunt la fel de periculoase, chiar dacă "stau în garaj câteva zile".
- **Înainte de a arunca vechiul Dvs. răcitor de vin :** Demontați ușa. Lăsați rafturile la locul lor pentru a împiedica pătrunderea în interior a copiilor.
- Nu lăsați copiii să umble la răcitorul de vin, să se joace sau să pătrundă în interiorul aparatului.
- Nu curățați aparatul sau părți ale lui cu lichide inflamabile
- Nu folosiți lichide inflamabile pentru curățarea aparatului sau a unor părți ale acestuia. Vaporii acestora pot crea un risc de foc sau explozie.
- Nu depozitați benzină sau alte lichide volatile sau inflamabile în apropierea aparatului. Vaporii acestora pot crea un risc de foc sau explozie.
- Nu reparați sau înlocuiți piese ale răcitorului de vin sau efectua intervenții asupra aparatului decât în cazul când acestea vă sunt recomandate în manualul său de utilizare sau instrucțiunile de service publicate de producător. Siguranța va fi înlocuită cu una de aceeași valoare și tip.

- Păstrați cu grijă aceste instrucțiuni -

5. INSTRUCȚIUNI DE INSTALARE

5.1. Înainte de prima utilizare

- Înlăturați ambalajul din exterior și interior.
- Verificați că aveți la dispoziție următoarele:
 - Rafturile de lemn sau metal cromat
 - Manualul de utilizare
- Curățați interiorul cu o cârpă moale și apă caldă.

5.2. Instalarea răcitorului de vin

- Acest răcitor de vin este detinat să fie așezat de sine stătător sau încorporat sub blat.
- Plasați răcitorul de vin pe o suprafață care poate suporta greutatea lui când este încărcat la maximum.
- Lăsați un spațiu liber de 1-5 cm în spatele aparatului și pe laterale, permițând astfel o circulație a aerului suficientă pentru a răci agregatul.
- Plasați răcitorul într-o zonă ferită de radiația directă a soarelui și surse intense de căldură (cuptor, radiator, calorifer, etc.). Expunerea directă la soare poate deteriora stratul de acoperire acrilică, iar apropierea de sursele de căldură produce creșterea consumului de energie electrică. Temperaturile foarte scăzute ale mediului ambiant pot de asemenea afecta funcționarea corectă a aparatului.
- Nu plasați aparatul într-o zonă cu umezeală.
- Conectați aparatul la rețea utilizând o priză de perete cu împământare corect realizată. Sub nici un motiv nu se va tăia sau înlătura lamela/ piciorușul de împământare din ștecher – al treilea contact. Orice probleme legate de împământare trebuie rezolvate cu ajutorul unui electrician sau centru de service autorizat.
- După conectarea aparatului la rețea așteptați 2-3 ore înainte de a pune sticle de vin înăuntru.
- După transport lăsați aparatul deconectat și în repaus pentru 24 ore.

5.3. Conectarea la rețeaua electrică



Folosirea necorespunzătoare a împământării din ștecher prezintă risc de electrocutare. În cazul în care cablul de alimentare este deteriorat, el poate fi înlocuit de un centru de service autorizat.

- Pentru siguranța Dvs. acest aparat trebuie corect împământat. Cablul de alimentare este dotat cu ștecher cu trei contacte care se inserează în priză cu trei contacte corespunzătoare pentru a minimiza riscul de electrocutare.
- Nu tăiați sau înlăturați contactul al treilea, de împământare, din ștecherul cablului cu care se livrează aparatul. Pentru siguranța Dvs. personală acest aparat trebuie să fie corect împământat.
- Acest aparat necesită conectarea prin intermediul unei prize de perete standard de 220-240 V c.a. / 50Hz dispunând de contact de împământare (Schuko). Verificați cu ajutorul unui electrician autorizat corectitudinea împământării prizei. Dacă priză Dvs. dispune de numai 2 contacte, cade în responsabilitatea Dvs. înlocuirea ei cu o priză cu împământare înainte de conectarea aparatului.
- Cablul de alimentare trebuie asigurat în spatele aparatului și nu trebuie lăsat expus sau atârând, pentru a evita accidentele.
- Aparatul trebuie obligatoriu conectat cu ajutorul unei prize care-i este exclusiv destinată, a cărei tensiune corespunde permanent celei indicate pe eticheta aparatului. În acest fel se asigură funcționarea corectă a aparatului și se evită supraîncărcarea circuitelor din casă, care ar putea cauza supraîncălzirea firelor și pericol de incendiu. Nu deconectați aparatul tragând de cablu. Apucați strâns ștecherul și trageți-l din priză. Reparați sau înlocuiți imediat un cablu de alimentare cu semne de uzură sau deteriorare. Nu utilizați cablul dacă este crăpat sau ros oriunde de-a lungul lui sau la capete. Atunci când deplasați aparatul aveți grijă să nu deteriorați cablul de alimentare.

5.4. Folosirea prelungitoarelor

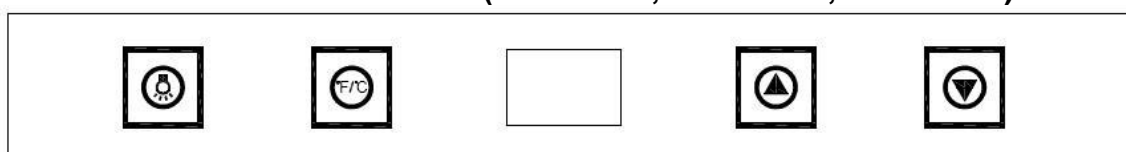
Din cauza riscului pe care, în anumite condiții, îl pot prezenta pentru siguranța Dvs., se recomandă evitarea folosirii prelungitoarelor pentru conectarea la rețea a acestui aparat. Dacă totuși sunteți obligat să folosiți un prelungitor, trebuie să vă asigurați în prealabil că acesta dispune de împământare (3 contacte) și că este proiectat pentru tensiunea de 220-240 V și suportă un curent de minimum 10 A.

6. OPERAREA RĂCITORULUI DE VIN

6.1. Atenționare

- La folosirea pentru prima dată a aparatului, sau atunci când el este repus în funcțiune după o lungă perioadă de inactivitate, pot apărea variații de câteva grade între temperatura setată și cea indicată de afișajul digital. Acest lucru este normal și are legătură cu lungimea perioadei de activitate. După scurgerea unei perioade de lucru de câteva ore totul intră în normal.
- Aparatul trebuie plasat într-un loc unde temperatura ambiantă este situată între 16~32°C/60~90°F. Dacă temperatura ambiantă este în afara acestei plaje, funcționarea aparatului poate fi afectată negativ. De exemplu, așezarea aparatului în condiții de extremă căldură sau frig poate conduce la fluctuații ale temperaturii interne, adică nerespectarea plajelor de temperaturi interne de 4~18°C/39~64°F, respectiv 5~18°C/41~64°F pentru modelele cu două zone de temperatură.

6.2. Panoul de comandă (DX-16.46K, DX-20.62K, DX-28.88K)



LIGHT

Pornește/oprește iluminarea internă.



UP

Creșterea temperaturii interne setate cu 1 °C sau 1 °F.



DOWN

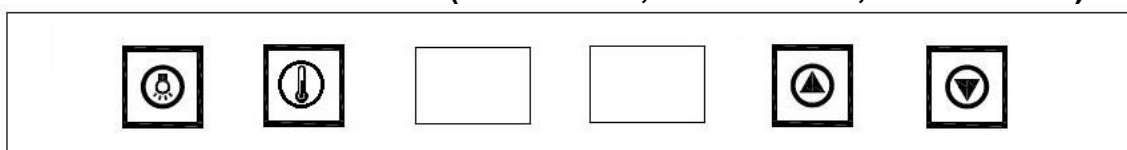
Scăderea temperaturii interne setate cu 1 °C sau 1 °F.



FAHRENHEIT/CELSIUS DISPLAY

Apăsarea acestei taste pentru minimum 5 secunde conduce la schimbarea unității de măsură a temperaturii afișate.

6.3. Panoul de comandă (DX-30.80DK, DX-46.128DK, DX-54.150DK)



LIGHT / FAHRENHEIT OR CELSIUS

Pornește/oprește iluminarea internă. Apăsați tasta minimum 5 secunde pentru a schimba unitatea de măsură a temperaturii afișate (°C/°F)



UP

Creșterea temperaturii interne setate cu 1 °C sau 1 °F.



DOWN

Scăderea temperaturii interne setate cu 1 °C sau 1 °F.



Compartment selector

Selectarea compartimentului (inferior/superior) unde se setează temperatura.

Atenție!

- Pentru modelele DX-46.128DK și DX-54.150DK trebuie setată o diferență de maximum 6°C între compartimentele superior/inferior.

6.4. Blocarea panoului de comandă (toate modelele), comutatorul ON/OFF (DX-30.80DK, DX-46.128DK, DX-54.150DK)

- Răcitorul Dvs. este dotat cu funcția de blocare AUTOMATĂ a panoului de comandă, pentru a preveni orice schimbare accidentală a setărilor de temperatură sau pornire/oprire intempestivă a aparatului.
- Blocarea intervine automat la 12 secunde după ultima acționare a unei taste a panoului de comandă.
- Pentru deblocarea panoului de comandă trebuie apăsat simultan tastele **UP** și **DOWN** pentru minimum 5 secunde, deblocarea panoului fiind semnalată printr-un semnal sonor intermitent și clipirea afișării. Din acest moment setările pot fi schimbate.
- Pentru a porni/opri aparatul trebuie acționate simultan pentru minimum 5 secunde tastele **LIGHT** și **COMPARTMENT SELECTOR**.

6.5. Capacitatea de depozitare

Puteți stoca 16 (DX-16.46K), 20 (DX-20.62K), 28 (DX-28.88K), 30 (DX-30.80DK), 46 (DX-46.128DK), 56 (DX-54.150DK) sticle în răcitorul Dvs. de vin (așa cum este indicat de altfel în prima parte a codului numeric al produsului). Sticlele pot însă diferi ca volum și dimensiuni. Ca atare, numărul de sticle care pot fi efectiv depozitate poate varia. Capacitatea nominală indicată este cea maxim obținută atunci când se stochează sticle în format tradițional Bordeaux de 750 ml.

7. ÎNTREȚINERE

7.1. Dezghețarea răcitorului de vin

Unitatea trebuie dezghețată manual. Condensul se strânge în canalul de colectare situat după peretele din spate al răcitorului și se scurge prin gaura de evacuare în tava de colectare de lângă compresor de unde se evaporă.

7.2. Curățarea răcitorului de vin

- Deconectați răcitorul și scoateți sticlele de vin și rafturile.
- Curățați suprafețele interioare cu o soluție de bicarbonat de sodiu dizolvat în apă caldă. Concentrația recomandată este 2 linguri la 250 ml de apă.
- Rafturile pot fi spălate cu un detergent ușor.
- Exteriorul răcitorului se spală cu un detergent ușor și cu apă caldă.
- Stoarceți bine buretele de apă înainte de a curăța panoul de comandă și orice părți componente de natură electrică.
- Spălați carcasa exterioară cu apă caldă și cu un detergent lichid ușor. Clătiți bine și ștergeți până la uscare cu o cârpă moale curată.

7.3. Pe timpul concediului

- **Absențe scurte:**
Pentru absențe de maximum 3 săptămâni lăsați răcitorul în funcțiune..
- **Concedii lungi:**
Dacă răcitorul nu va fi folosit pentru o perioadă de câteva luni scoateți toate sticlele dinăuntru și deconectați aparatul de la rețea. Curățați și uscați foarte bine interiorul. Pentru prevenirea mirosurilor urâte și formării de mucegai, lăsați ușa întredeschisă, blocând-o la nevoie în această poziție.

7.4. Deplasarea răcitorului de vin

- Scoateți toate sticlele.
- Fixați cu bandă adezivă în interior toate părțile care se pot mișca (rafturile).
- Blocați și ușa cu bandă adezivă.
- Înfășurați carcasa aparatului într-o pătură sau o țesătură similară.

a. Economia de energie

- Răcitorul de vin trebuie plasat în locul cel mai răcoros al camerei, departe de orice sursă de căldură intensă sau de razele soarelui.
- Încărcarea la maximum a răcitorului forțează compresorul să funcționeze mai mult.

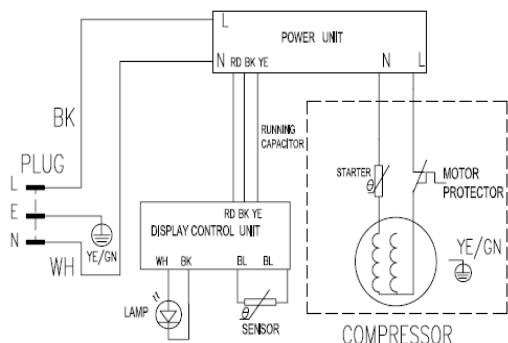
8. ÎN CAZ DE PROBLEME

Puteți cu ușurință rezolva singur multe din problemele curente ale răcitorului Dvs. de vin, economisind în acest fel costul unei posibile intervenții de service. Încercați să rezolvați singur problema aplicând recomandările de mai jos înainte de a face apel la service.

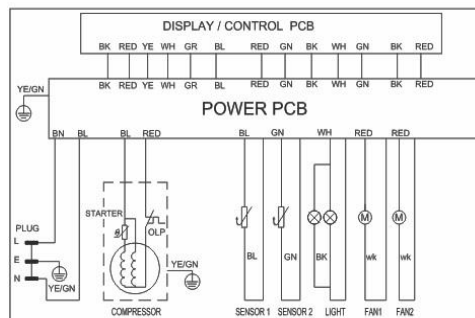
GHID DE DEPANARE

PROBLEMA	CAUZE POSIBILE
Răcitorul de vin nu funcționează.	Deconectat de la rețea. Siguranță arsă în rețea sau la aparat.
Porniri/opriri frecvente.	Temperatura camerei este prea ridicată. Ușa este deschisă prea des. Ușa nu este bine închisă. Temperatura este incorect setată. Garnitura ușii nu etanșează corespunzător. Aparatul nu are spațiu înconjurător suficient.
Vibrații.	Verificați că aparatul este așezat perfect orizontal.
Aparatul produce un zgomot prea puternic.	Zgomotul constând din ușoare pocnituri este datorat circulației agentului de răcire și este perfect normal. La sfârșitul fiecărui ciclu s-ar putea de asemenea să auziți ușoare gălgâituri provenind tot de la circulația agentului de răcire. Contractarea și dilatarea pereților interior ai răcitorului poate de asemenea produce ușoare pocnituri. Răcitorul de vin nu este poziționat perfect orizontal.
Ușa nu se închide bine.	Răcitorul de vin nu este poziționat perfect orizontal. Montarea ușii în partea opusă a fost incorect efectuată. Garnitura de etanșare este murdară. Rafturile sunt deplasate.

9. SCHEMA ELECTRICĂ



DX-16.46K, DX-20.62K, DX-28.88K



DX-30.80DK, DX-46.128DK, DX-54.150DK

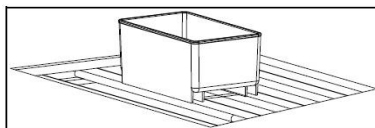
10. DATE TEHNICE

Model	DX-16.46K	DX-20.62K	DX-28.88K
Volum (litri)	46L	62L	88L
Material	Carcasă	Oțel	Oțel
	Ușă	Sticlă	Sticlă
Dimensiuni (L×A×Î)(mm)	430x480x510	430x480x640	430x480x825
Dimensiuni cu ambalaj (L×A×Î)(mm)	460x515x530	460x540x660	460x515x845
Masă netă (Kg)	18	22	26
Masă brută (Kg)	19	24	28
Consum energetic (KWh/24h)	0.52	0.858	0.858
Agent răcire	R600a	R600a	R600a
Plaja de temperatură	4-18°C	4-18°C	4-18°C
Toleranță admisă	+/- 2 °C	+/- 2 °C	+/- 2 °C
Tensiunea de alimentare	220V c.a.	220V c.a.	220V c.a.
Frecvența de rețea	50Hz	50Hz	50Hz
Putere consumată	85W	85W	85W

Model		DX-30.80DK	DX-46.128DK	DX-54.150DK
Volum (litri)		80L	128L	158L
Material	Carcasă	Oțel	Oțel	Oțel
	Ușă	Sticlă	Sticlă	Sticlă
Dimensiuni (LxAxÎ)(mm)		480x490x835	480x470x1125	480x470x1295
Dimensiuni cu ambalaj (LxAxÎ)(mm)		510x520x870	510x520x1165	510x520x1335
Masă netă (Kg)		28	42	47,6
Masă brută (Kg)		30	44,5	50
Consum energetic (KWh/24h)		0.516	0,63	0,64
Agent de răcire		R600a	R600a	R600a
Plaja de temperatură Toleranță admisă		5-18°C +/- 2 °C	5-18°C +/- 2 °C	5-18°C +/- 2 °C
Tensiunea de alimentare		AC 220V	AC 220V	AC 220V
Frecvența de rețea		50Hz	50Hz	50Hz
Putere consumată		88W	100W	100W

Controlul umidității

Aparatul este echipat cu un sistem care permite păstrarea nivelului corect de umiditate. Dacă mediul ambiant este foarte uscat, este posibil să fie nevoie să adăugați apă în rezervorul sistemului de păstrare a umidității al răcitorului Dvs. de vin. Umpleți cu apă până la trei sferturi rezervorul umidificatorului (cutiuța de plastic) și fixați-l pe ghidajele de pe raftul superior al aparatului. Verificați nivelul de apă și completați-l după nevoie. Asigurați-vă că rezervorul este corect poziționat pe ghidaje pentru a se evita scurgerea apei.”



■ Acest semn indică faptul că oriunde în UE acest produs nu poate fi aruncat la gunoi similar cu resturile menajere. Pentru prevenirea daunelor asupra mediului ambiant sau a sănătății omului din cauza deșeurilor aruncate necontrolat, reciclarea acestuia în mod responsabil contribuie la reutilizarea sustenabilă a resurselor materiale.

Pentru predarea aparatului utilizați sistemul de returnare și colectare sau luați legătura cu vânzătorul, care îl poate prelua în vederea reciclării cu respectarea mediului ambiant.



DUNAVOX

UPUTSTVO ZA UPOTREBU

Zamodele:

**DX-16.46K/DX-20.62K/DX-28.88K
DX-30.80DK/DX-46.128DK/DX-54.150DK**

Vinske vitrine



(Foto: DX-28.88K)

OPREZ!

PRE UPOTREBE, MOLIMO VAS DA PROČITATE I PRIDRŽAVATE SE BEZBEDNOSNIH PRAVILA I UPUTSTAVA ZA KORIŠĆENJE UREĐAJA.

SADRŽAJ

1. BEZBEDNOST VINSKE VITRINE	65
2. VAŽNA SIGURNOSNA UPUTSTVA	66
3. DELOVI I KARAKTERISTIKE	67
4. VAŽNA BEZBEDNOSNA UPUTSTVA	68
5. UPUTSTVA ZA POSTAVLJANJE UREĐAJA	68
5.1. PRE UPOTREBE VINSKE VITRINE.....	68
5.2. POSTAVLJANJE VINSKE VITRINE.....	69
5.3. POVEZIVANJE NA ELETRIČNU MREŽU	69
5.4. PRODUŽNI KABLOVI.....	69
6. UPRAVLJANJE VINSKOM VITRINOM	70
6.1. POSEBNA NAPOMENA	70
6.2. KONTROLNI PANEL (DX-16.46K, DX-20.62K, DX-28.88K).....	70
6.3. KONTROLNI PANEL (DX-30.80DK, DX-46.128DK, DX-54.150DK)	70
6.4. OTKLJUČAVANJE UPRAVLJAČKOG PANELA (SVI MODELI), ON/OFF PREKIDAČ (DX-30.80DK, DX-46.128DK, DX-54.150DK)	71
6.5. KAPACITET UREĐAJA	71
7. ČUVANJE I ODRŽAVANJE	71
7.1. OTAPANJE VINSKE VITRINE.....	71
7.2. ČIŠĆENJE VINSKE VITRINE	71
7.3. TOKOM ODMORA	71
7.4. TRANSPORT VAŠE VINSKE VITRINE.....	71
7.5. UPUTSTVA ZA UŠTEDU ELEKTRIČNE ENERGIJE	72
8. PROBLEMI SA VINSKOM VITRINOM	72
9. ŠEMA VEZJA	72
10. TEHNIČKI PODACI	73

OVAJ UREĐAJ JE PREDVIĐEN ISKLJUČIVO ZA ČUVANJE VINA.

1. BEZBEDNOST VINSKE VITRINE

VAŠA BEZBEDNOST I BEZBEDNOST DRUGIH LICA SU VEOMA VAŽNE.

Obezbedili smo mnoge značajne bezbednosne napomene u ovom uputstvu kojih treba da se pridržavate. Uvek pročitajte i pridržavajte se svih bezbednosnih poruka.



Ovo je bezbednosni znak upozorenja. On vas upozorava na moguće rizike koji mogu dovesti do povreda ili smrti Vas i drugih lica. Sve bezbednosne poruke će pratiti ova oznaka i još neka od reči: „**OPASNOST**”, „**UPOZORENJE**” ili „**PAŽNJA**”.



OPASNOST znači da ukoliko se ne pridržavate takve bezbednosne izjave može doći do teške telesne povrede ili smrti.



UPOZORENJE znači da ukoliko se ne pridržavate takve bezbednosne izjave može doći do značajnog oštećenja proizvoda, teške telesne povrede ili smrti.



PAŽNJA znači da ukoliko se ne pridržavate takve bezbednosne izjave može doći do manje ili umerene telesne povrede, oštećenja imovine ili uređaja.

Sve bezbednosne izjave će Vas upozoriti na takav način da znate koja je potencijalna opasnost i kako da smanjite mogućnosti za povredu i upozoriće vas na moguće ishode ukoliko ne poštujete uputstva.

2. VAŽNA SIGURNOSNA UPUTSTVA



Pre upotrebe vinske vitrine, ona mora biti pravilno postavljena i montirana na način kako je opisano u ovom uputstvu. Pročitajte uputstvo pažljivo. Da bi smanjili rizik od požara, strujnog udara ili povreda prilikom korišćenja vinske vitrine, pridržavajte se osnovnih mera predostrožnosti, uključujući sledeće:



- Proverite da li napon obeležen na uređaju odgovara lokalnom naponu. Uključite utikač u utičnicu sa uzemljenjem, ne koristite adaptere ili produžetak za napajanje.
- Savetujemo vam, da odvojite strujni tok namenjen samo vinskoj vitrini.
- Ne čistite vitrinu sa zapaljivim sredstvima i ne držite benzin i druge zapaljive materije u njenoj blizini nisti u samoj vitrini.
- Ne uključujte i ne isključujte uređaj iz struje mokrim rukama.
- Pre svakog čišćenja, održavanja ili servisa vitrine, obavezno je isključite iz struje. U suprotnom može doći do strujnog udara ili smrti.
- Ne pokušavajte da zamenite ili popravite delove koji nisu predviđeni ovim uputstvima. Sve druge popravke koje nisu navedene u uputstvima neka obavi ovlašćeno lice.

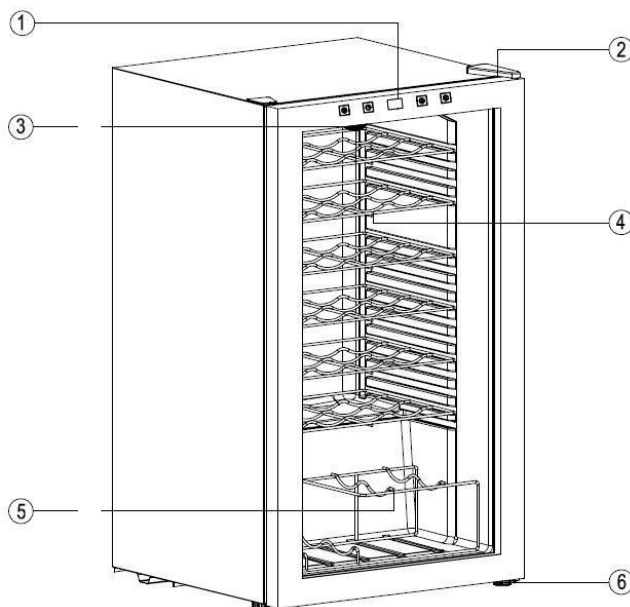


PRIDRŽAVAJTE SE SLEDEĆIH UPOZORENJA SAMO KADA SU PRIMENJIVA NA VAŠ MODEL

- Pobrinite se da vam više osoba pomogne prilikom montaže i pomeranja uređaja, kako biste izbegli oštećenja aparata ili povredu ljudi.
- Pozadina uređaja i bočne stranice moraju da budu slobodne zbog pravilne ventilacije uređaja. Izaberite dobro provetrono mesto gde je temperatura prostorije u opsegu od 16 - 32°C. Ne postavljajte uređaj na mesto na koje padaju sučevi zraci ili blizu nekog drugog izvora toplote (šporet, grejalica, radiator i sl.)
- Vinska vitrina ne bi trebala da se posatvi u neposrednoj blizini retni, roštilja ili drugih jakih toplotnih izvora
- Vinska vitrina se mora posativiti pravilno povezana na strujnu mrežu u skladu sa državnim i lokalnim propisima. Potrebno je imati standardni priključak za struju (220-240V AC, 50 Hz), sa uzemljenjem radi pravilnog povezivanja vinske vitrine na električnu mrežu.
- Nemojte lomiti ili uštinuti kabl za napajanje vinske vitrine.
- Osigurač na liniji za uređaj treba da bude najmanje 15A.
- Uređaj mora da bude u ravni kako bi normalno radio. Možda ćete morati da podesite nožice za nivelaciju.
- Uređaj nije namenjen upotrebi od strane dece. Ne dozvolite da se deca igraju ili ulaze u unutrašnjost uređaja.
- Ne koristite sredstva za čišćenje na bazi razređivača ili abrazivna sredstva za čišćenje u utrašnjosti vitrine. Ova sredstva mogu dovesti do oštećenja ili gubitka boje u unutrašnjosti uređaja.
- Ovaj uređaj nije namenjen za korišćenje od strane pojedinaca sa ograničenim fizičkim, čulnim ili mentalnim sposobnostima bez nadzora odgovornog lica. Takođe nije ni za osobe sa nedostatkom iskustva ili znanja, uključujući djecu, osim ako su pod nadzorom osobe koja je odgovorna za njihovu sigurnost ili su dobili obuku u radu uređaja.
- Ne koristite uređaj ukoliko su utikač, kabl za napajanje električnom energijom ili drugi delovi uređaja oštećeni. Ukoliko postoje oštećenja, javite se proizvođaču ili distributeru da Vas upute na ovlašćeni servisni centar ili kvalifikovanu osobu koja može da izvrši popravku, da se ne bi izlagali opasnosti.

- Deca moraju biti pod nadzorom da se ne bi igrala sa uređajem. Postavite naponski kabl tako da bude van domašaja dece. Ukoliko uređaj stoji na nekoj visini, vodite računa da kabl za napajanje ne visi kroz vazduh preko ivice elementa.

3. DELOVI I KARAKTERISTIKE



(ilustracija samo reference radi)

1	Kontrolni panel	4	Polica
2	Poklopac šarke	5	Polica za izlaganje
3	LED Svetlo	6	Nožica

4. VAŽNA BEZBEDNOSNA UPUTSTVA

⚡ UPOZORENJE ⚡

Da bi smanjili rizik od požara, strujnog udara ili povrede pri upotrebi uređaja, pridržavajte se sledećih mera predostrožnosti:

- Pročitajte kompletno uputstvo pre upotrebe vinske vitrine.
- **OPASNOST ili UPOZORENJE:** Postoji rizik zarobljavanja deteta u uređaju.
Zarobljavanje i gušenje dece je moguć problem. Bačeni ili napušteni uređaji su opasni.
- **Pre nego što bacite svoju staru Vinsku vitrinu:** Demontirajte vrata. Ostavite police u uređaju, kako deca ne bi mogla da se zavuku u uređaj.
- Ne dozvolite deci se igrati sa uređajem ili zavlache u njega.
- Nikada nemojte čistiti uređaj sa zapaljivim sredstvima. Isparenja takvih sredstava mogu stvoriti uslove za nastanak požara ili eksplozije.
- Nemojte čuvati benzin ili druge zapaljive i isparljive tečnosti u blizini ovog ili sličnih uređaja. Isparenja takvih sredstava mogu stvoriti uslove za nastanak požara ili eksplozije.
- Nemojte popravljati delove ove vinske vitrine ili pokušavati da je servisirate sami, osim ukoliko to nije specifično navedeno u ovom uputstvu ili u odvojenom uputstvu za popravke od strane korisnika. Osigurač uvek menjajte osiguračem iste vrste i snage.

- Sačuvajte ova uputstva -

5. UPUTSTVA ZA POSTAVLJANJE UREĐAJA

5.1. Pre upotrebe vinske vitrine

- Uklonite spoljašnju ambalažu i delove ambalaže iz unutrašnjosti uređaja.
- Proverite da li imate sve od sledećih delova:
 - Drvene ili metalne police
 - Uputstvo za upotrebu
- Očistite unutrašnjost uređaja dobro ocedenom mekanom krpom.

5.2. Postavljanje vinske vitrine

- Ova vinska vitrina je dizajnirana da se koristi isključivo kao samostojeći uređaj.
- Postavite Vašu vinsku vitrinu na površinu koja je dovoljno jaka da podnese opterećenje vinske vitrine sa maksimalnim brojem flaša u njoj.
- Napravite 2-5 cm prostora između leđa i strana Vaše vinske vitrine da bi se omogućila pravilna cirkulacija vazduha potrebna za odvođenje toplog vazduha sa hladnjaka.
- Nemojte držati vinsku vitrinu na direktnom sunčevom svetlu ili u blizini izvora toplote (šporet, rerna, grejalica, radiator i td.). Ekstremno niske temperature mogu takođe izazvati nepravilan rad uređaja.
- Izbegavajte postavljanje uređaja u porsotrijama u kojima je visoka vlažnost.
- Vinsku vitrinu utaknite u zaseban, uzemljen utikač. Ni pod kojim uslovima nemojte uklanjati uzemljenje.
- Nakon uključivanja uređaja u struju sačekajte 2-3 sata da dostigne zadatu radnu temperaturu, pa tek onda pohranite vinske boce u uređaj.
- Pustite uređaj da miruje 24h nakon transporta.

5.3. Povezivanje na električnu mrežu

UPOZORENJE

Nepravilna upotreba uzemljenog utikača može dovesti do strujnog udara. Ukoliko je naponski kabl oštećen, zamenite ga u autorizovanom servisu.

- Ovaj uređaj treba da bude pravilno uzemljen radi vaše bezbednosti.
- Ovaj uređaj zahteva neizmehičnu struju napona 220-240V / 50Hz sa uzemljenjm. Ukoliko utičnica nema uzemljenje, Vaša je odgovornost i obaveza da je zamenite za odgovarajuću, pravilno uzemljenu utičnicu.
- Naponski kabl uređaja treba da je obezbeđen iza uređaja i ne sme biti ostavljen na otvorenom ili da visi da bi se sprečili nesrećni slučajevi
- Uređaj bi trebao uvek biti samostalno priključen na izvor struje koji odgovara specifikaciji uređaja. Time se obezbeđuju optimalne performanse i sprečava prepoterećenje kućnih instalacija koje može izazvati opasnost od požara.
- Nikad ne isključujte uređaj vučenjem naponskog kabla. Uvek uhvatite utikač čvrsto i povucite od zida/utičnice. U slučaju oštećenja kablova ili utikača nemojte koristiti uređaj i javite se ovlašćenom servisu radi poravke.
- Pri pomeranju uređaja budite pažljivi da ne oštete naponski kabl ili utikač.

5.4. Produžni kablovi

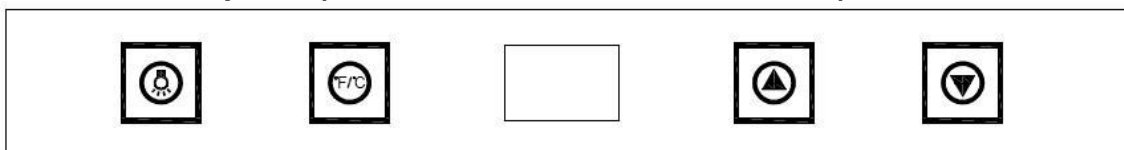
Zbog potencijalnih bezbednosnih rizika u određenim uslovima, preporučujemo da NE KORISTITE produžne kablove za napajanje ovog uređaja. Ukoliko morate koristiti produžni kabl, neophodno je da on ima rešeno uzemljenje i da njegova električna deklaracija glasni na 220-240V i barem 10A.

6. UPRAVLJANJE VINSKOM VITRINOM

6.1. Posebna napomena

- Kada koristite vinsku vitrinu po prvi put, ili je aktivirate posle duže pauze u upotrebi, postojaće par stepeni razlike između temperature koju ste postavili i temperature koju pokazuje LED ekran. Ovo je normalno i posledica nemogućnosti uređaja da trenutno dostigne zadatu temperaturu. Nakon par časova od aktivacije biće dostignuta zadata radna temperatura.
- Vinska vitrina bi trebala da se nalazi prostoru u kome je temperatura između 16~32°C. Ukoliko je temperatura niža ili viša od ovog opsega, funkcionalnost uređaja može biti dovedena u pitanje. Npr. ukoliko se vitrina nalazi u prostoru koji je značajno topliji ili hladniji od preporučenog opsega, unutrašnja temperatura u uređaju može varirati, i može se desiti da ne bude na zadatom nivou u okviru 4-18°C.

6.2. Kontrolni panel (DX-16.46K, DX-20.62K, DX-28.88K)



SVETLO

Paljenje i gašenje unutrašnjeg osvetljenja uređaja.



GORE

Povećavanje temperature u uređaju za 1 °C ili 1 °F.



DOLE

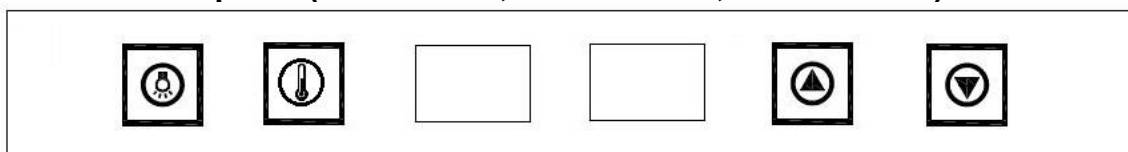
Smanjivanje temperature u uređaju za 1 °C or 1 °F.



NAČIN PRIKAZIVANJA TEMPERATURE

Ovim dugmetom birate da li će temperatura biti prikazana u stepnima Celzijusa ili Farenhajta.

6.3. Kontrolni panel (DX-30.80DK, DX-46.128DK, DX-54.150DK)



SVETLO / NAČIN PRIKAZIVANJA TEMPERATURE

Pritiskom na ovo dugme palite i gasite unutrašnje svetlo. Ukoliko pritisnete i držite ovo dugme na 5 sekundi, izvršićete promenu načina prikazivanja temperature iz Celzijusa u Farenhajta i obrnuto



GORE

Povećavanje temperature u uređaju za 1 °C ili 1 °F.



DOLE

Smanjujete u uređaju za 1 °C ili 1 °F.



IZBOR ODELJKA

Pritiskom na ovo dugme birate deo vitrine (gornji ili donji) u kome želite da podesite temperaturu.

Pažnja!

- DX-46.128DK i DX-54.150DK modeli moguće imaju maksimalnu razliku od 6°C između gornje i donje zone hlađenja.

6.4. Otključavanje upravljačkog panela (svi modeli), ON/OFF prekidač (DX-30.80DK, DX-46.128DK, DX-54.150DK)

- Vinska vitrina ima funkciju AUTOMATSKOG zaključavanja upravljačkog panela. Time se sprečavaju neželjene promene temperature ili aktivnosti uređaja. Do zaključavanja upravljačkog panela doći će 12 sekundi nakon poslednjeg pritiska na neku od komandi na upravljačkom panelu.
- Da bi ste otključali upravljački panel, pritisnite i **držite istovremeno stelicu na gore i stelicu na dole u trajanju od 5 sekundi**. Tada će upravljački panel zapištati i bljesnuti, čime će indicirati da su komande otključane i da se mogu vršiti podešavanja.
- Da bi ste upalili ili ugasil uređaj DX-30.80DK, po otključavanju pritisnite i držite u trajanju od 5 sekundi komande **za svetlo i izbor odeljka**.

6.5. Kapacitet uređaja

U ove uređaje možete staviti maksimalno 16 (DX-16.46K), 20 (DX-20.62K), 28 (DX-28.88K), 30 (DX-30.80DK), 46 (DX-46.128DK), 56 (DX-54.150DK) boca vina (kako je indicirano i oznaka uređaja). Vinske boce dolaze u različitim kapacitetima i dimenzijama, pa otuda kapacitet može dodatno varirati. Navedeni kapaciteti odnose se na maksimalan broj klasičnih Bordeaux 750ml boca koji može stati u uređaje.

7. ČUVANJE I ODRŽAVANJE

7.1. Otapanje vinske vitrine

Vaš uređaj mora se otapati ručno. Kondenzacija se skuplja iza zadnjeg zida Vašeg uređaja, i kroz rupu za drenažu se sliva u posudu pored kompresora iz koje isparava.

7.2. Čišćenje vinske vitrine

- Otkaçite vinsku vitrinu sa strujne mreže, uklonite vinske boce i police iz unutrašnjosti.
- Operite unutrašnje površine rastvorom sode bikarbone u mlakoj vodi. Rastvor napravite od 2 supene kašike (30 grama) sode bikarbone u 1 litru vode.
- Operite police blagim rastvorom deterdženta za posuđe.
- Spoljašnost vinske vitrine možete očistiti blagim rastvorom deterdženta za posuđe i mlake vode.
- Dobro iscedite krpu ili sunđer pre brisanja delova na kojima se nalaze kontrole ili bilo koji električni delovi.
- Spoljašnost uređaja perite sa mlakom vodom i blagim tečnim detergentom. Isperite dobro i obrišite mekanom suvom krpom.

7.3. Tokom odmora

- **Kraći odmori:**
Ostavite vinsku vitrinu da radi u kući/stanu, ukoliko odmor traje kraće od 3 nedelje.
- **Duži odmori:**
Ukoliko nećete koristiti vitrinu nekoliko meseci, isključite je iz struje i ispraznite njen sadržaj. Očistite temeljno unutrašnjost i osušite vitrinu. Da bi se sprečila pojava neprijatnih mirisa i buđi, ostavite vrata uređaja otvorena (ako je potrebno, blokirajte ih u otvorenom položaju).

7.4. Transport Vaše vinske vitrine

- Uklonite sve boce iz unutrašnjosti uređaja.
- Samolepljivom trakom pričvrstite sve labave delove (police) u unutrašnjosti uređaja.

- Zatvorena vrata fiksirajte samolepljivom trakom.
- Zaštite spoljašnost uređaja originalnom ambalažom, čebetom ili sličnim predmetom.

7.5. Uputstva za uštedu električne energije

- Vinska vitrina treba da se nalazi u najsvežijem delu sobe, udaljena od izvora toplote i direktne sunčeve svetlosti.
- Držanje maksimalno popunjene vitrine stvara potrebu za dužim radom kompresora.

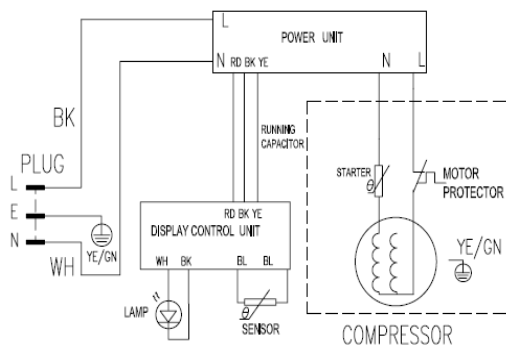
8. PROBLEMI SA VINSKOM VITRINOM

Mnoge uobičajene probleme sa Vašom vinskiom vitrinom možete rešiti i sami, bez troška pozivanja servisera. Pokušajte da primenite savete koji slede, ukoliko Vam mogu pomoći u rešavanju problema sa Vašom vitrinom, pre pozivanja servisa.

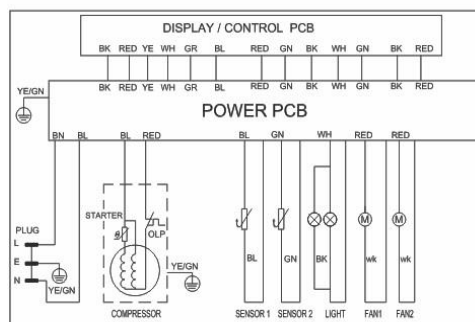
SAVETI ZA OTKLANJANJE SMETNJI

PROBLEM	MOGUĆI UZROCI PROBLEMA
Vinska vitrina ne radi.	Uređaj nije uključen u struju. Iskočio je osigurač na kome se nalazi utičnica na koju je povezana vitrina.
Kompresor se često pali i gasi.	Temperatura u prostorji je viša nego inače. Prečesto otvarate vrata vitrine. Vrata nisu zatvorena u potpunosti. Dih tunzi na vratima ne naležu pravilno. Nema dovoljno prostora oko uređaja.
Vibracije	Proverite da li vitrina stoji horizontalno u ravni.
Vinska vitrina pravi previše buke.	Usled protoka rashladne tečnosti mogu se čuti kolkotavi ili čangrljavi zvuci iz vitrine, što je normalno kod kompresorskih uređaja. Sakupljanje i širenje unutrašnjih zidova usled promene temperature može izazvati zvuke poput pucanja i krckanja. Vinska vitrina ne stoji horizontalno u ravni.
Vrata se ne zatvaraju pravilno.	Vinska vitrina ne stoji horizontalno u ravni. Dih tunj je prljav. Police nisu u svojim žljebovima.

9. ŠEMA VEZJA



DX-16.46K, DX-20.62K, DX-28.88K



DX-30.80DK, DX-46.128DK, DX-54.150DK

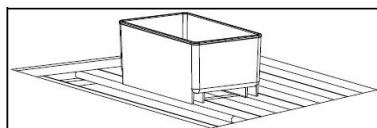
10. TEHNIČKI PODACI

Model		DX-16.46K	DX-20.62K	DX-28.88K
Zapremina (litara)		46L	62L	88L
Materijal	Kućište	Čelik	Čelik	Čelik
	Vrata	Staklo	Staklo	Staklo
Dimenzije uređaja (Š×D×V)(mm)		430x480x510	430x480x640	430x480x825
Dimenzije ambalaže (Š×D×V)(mm)		460x515x530	460x540x660	460x515x845
Neto težina (Kg)		18	22	26
Bruto težina (Kg)		19	24	28
Potrošnja struje (KWh/24h)		0.52	0.858	0.858
Rashladni gas		R600a	R600a	R600a
Temperaturni opseg Temperaturna tolerancija		4-18°C +/- 2 °C	4-18°C +/- 2 °C	4-18°C +/- 2 °C
Deklarisani napon		AC 220V	AC 220V	AC 220V
Deklarisana frekvencija		50Hz	50Hz	50Hz
Snaga		85W	85W	85W

Model		DX-30.80DK	DX-46.128DK	DX-54.150DK
Zapremina (litara)		80L	128L	158L
Materijal	Kućište	Čelik	Čelik	Čelik
	Vrata	Staklo	Staklo	Staklo
Dimenzije uređaja (Š×D×V)(mm)		480x490x835	480x470x1125	480x470x1295
Dimenzije ambalaže (Š×D×V)(mm)		510x520x870	510x520x1165	510x520x1335
Neto težina (Kg)		28	42	47,6
Bruto težina (Kg)		30	44,5	50
Potrošnja struje (KWh/24h)		0.516	0,63	0,64
Rashladni gas		R600a	R600a	R600a
Temperaturni opseg Temperaturna tolerancija		5-18°C +/- 2 °C	5-18°C +/- 2 °C	5-18°C +/- 2 °C
Deklarisani napon		AC 220V	AC 220V	AC 220V
Deklarisana frekvencija		50Hz	50Hz	50Hz
Snaga		88W	100W	100W

Kontrola vlažnosti

Uređaj je opremljen sa sistemom za održavanje vlažnosti. U ekstremno suvim sredinama možda ćete morati da upotrebite ovaj sistem. Napunite mali plastični rezervoar (posudu za isparavanje) do ¾ visine sa vodom, i postavite je na letvice najviše police u uređaju. Proveravajte nivo vode i po potrebi dopunjavajte posudu. Vodite računa da je posuda pravilno i stabilno montirana na letvicama kako ne bi došlo do prosipanja vode u unutrašnjosti uređaja.



Simbol na proizvodu ili na njegovoj ambalaži označava, da se sa ovim proizvodom ne sme postupati kaosa otpadom iz domaćinstva. Umesto toga, proizvod treba predati odgovarajućim sabirnim centrima za reciklažu elektronskih i električnih aparata. Ispravnim odvoženjem ovog proizvoda sprečavaju se negativne posledice na životnu sredinu i zdravlje ljudi, koji bi inače mogli biti ugroženi odgovarajućim rukovanjem otpadom ovog proizvoda. Za dobijanje detaljnih informacija o tretmanu, odbacivanju i ponovnom korišćenju ovog proizvoda, stupite u kontakt sa prikladnim lokalnim ustanovama, službom za sakupljanje kućnog otpada ili sa prodavnicom u kojoj ste kupili ovaj proizvod.



DUNAVOX

NÁVOD K POUŽITÍ

MODEL

DX-16.46K/DX-20.62K/DX-28.88K

DX-30.80DK/DX-46.128DK/DX-54.150DK

CHLADNIČKY NA VÍNO



(foto: DX-28.88K)

POZOR!

Prosím pozorně si přečtete a pečlivě dodržujte návod k obsluze!

OBSAH

1. BEZPEČNOST VINOTÉKY	77
2. BEZPEČNOSTNÍ POKYNY	78
3. ČÁSTI A VLASTNOSTI	79
4. DŮLEŽITÉ BEZPEČNOSTNÍ POKYNY	80
5. MONTÁŽNÍ INSTRUKCE	80
5.1. PŘED PRVNÍM POUŽITÍM.....	80
5.2. MONTÁŽ VINOTÉKY	81
5.3. ELEKTRICKÉ ZAPOJENÍ.....	81
5.4. PRODLUŽOVACÍ KABEL	81
6. PROVOZ CHLADNIČKY NA VÍNO	82
6.1. ZVLÁŠTNÍ UPOZORNĚNÍ	82
6.2. OVLÁDACÍ PANEL (DX-16.46K, DX-20.62K, DX-28.88K)	82
6.3. OVLÁDACÍ PANEL (DX-30.80DK, DX-46.128DK, DX-54.150DK).....	82
6.4. ZÁMEK OVLÁDACÍHO PANELU (VŠECHNY MODELY), ON/OFF VYPÍNAČ (DX-30.80DK, DX-46.128DK, DX-54.150DK) .	83
6.5. SKLADOVACÍ KAPACITA.....	83
7. PÉČE A ÚDRŽBA.....	84
7.1. ODMRAZOVÁNÍ	84
7.2. ČIŠTĚNÍ.....	84
7.3. Odstávky.....	84
7.4. Přesouvání.....	84
7.5. TÍPY NA ÚSPORNÝ PROVOZ.....	84
8. ŘEŠENÍ PROBLÉMŮ.....	85
9. SCHÉMA ZAPOJENÍ.....	86
10. TECHNICKÁ SPECIFIKACE	86

TENTO PRODUKT JE URČEN POUZE PRO USKLADNĚNÍ VÍNA!

1. BEZPEČNOST VINOTÉKY

BEZPEČNOST VASE A DRUHÝCH JE VELMI DŮLEŽITÁ.

Příručka spotřebiče obsahuje spoustu bezpečnostních varování a doporučení. Vždy je pečlivě prostudujte a dodržujte.



Symbol upozorňující na nebezpečí. Tento symbol varuje před hrozbou zranění či smrti vaší nebo druhých. Tento symbol je doprovázen textem dle míry nebezpečí a to „**DANGER**“, „**WARNING**“ nebo „**CAUTION**“.



DANGER znamená, že v případě zanedbání tohoto varování hrozí závažné poranění nebo smrt.



WARNING znamená, že v případě zanedbání tohoto varování hrozí zničení spotřebiče, závažné poranění osoby nebo smrt.



CAUTION znamená, že v případě zanedbání tohoto varování hrozí zničení nebo poškození spotřebiče či lehké poranění osob.

Všechny bezpečnostní zprávy upozorňují na potenciální rizika, nasměrují k prevenci nebo eliminaci hazardů, poranění a varují před možnými následky jejich neuposlechnutí.

2. BEZPEČNOSTNÍ POKYNY



Před prvním použitím, musí být spotřebič řádně usazen a nainstalován dle pokynů v tomto návodu. Pro zamezení rizika požáru, poranění elektrickým proudem či zranění, dodržujte základní pravidla, zejména a včetně následujících:



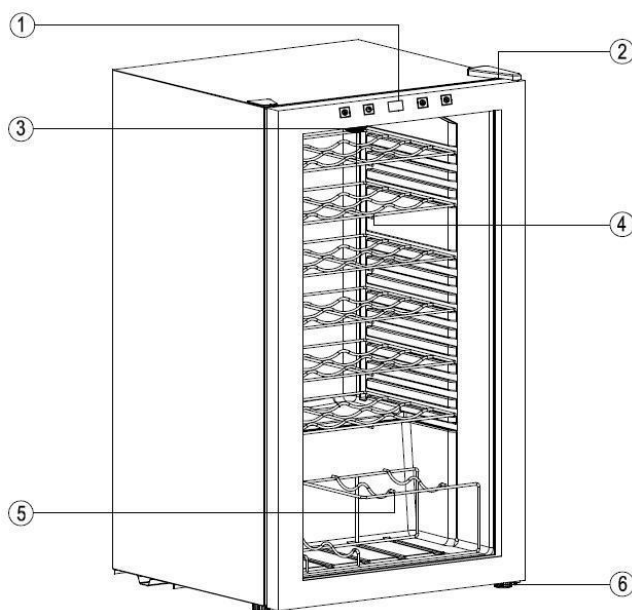
- Zařízení je zamýšleno na použití výhradně pro skladování vína.
- Napětí / proud uvedený na výrobním štítku musí odpovídat s parametry místní elektrické sítě. Zástrčku vložte do standardní 3-pin zásuvky, neodstraňujte nulový kolík, nepoužívejte adaptér ani prodlužovací kabel.
- Doporučuje se použít samostatně jištěný obvod pro váš spotřebič.
- Nikdy nečistěte zařízení, nebo jeho díly pomocí hořlavých kapalin, které zvyšují riziko požáru nebo výbuchu. A nikdy neskladujte hořlavé kapaliny v blízkosti zařízení.
- Nepřipojujte ani neodpojujte elektrickou zástrčku mokřými rukama.
- Odpojte zařízení od elektriky před zahájením čištění nebo jiné údržby. Neuposlechnutí tohoto postupu může vést k zásahu elektrickým proudem nebo smrti.
- Nepokoušejte se opravit nebo nahradit jakoukoli část zařízení pokud to není specifikováno v tomto manuálu. Jakýkoliv jiný servis musí být proveden kvalifikovaným technikem.



- Manipulace se zařízením musí být provedena dostatečným množstvím osob, aby se zabránilo poškození zařízení nebo zranění osob.
- Je nutné zajistit řádné větrání pro zařízení, čelo musí být zcela bez překážek. Vyberte dobře větranou místnost s teplotou mezi 16°C a 32°C. Jednotka musí být umístěna mimo vlivy větru, deště, vody (sprej nebo kapání).
- Je nutné lokalizovat jednotku mimo přímé sluneční světlo a mimo zdroj tepla (sporák, radiátor, apod.).
- Instalace jednotky (elektrika, voda, odpad) musí být v souladu s místní normou. Elektrická síť (220-240V AC, 50 Hz), řádně uzemněná v souladu s místní elektrickou normou je nezbytností.
- Nekopejte ani nebouchetje do napájecího kabelu.
- Pojistka (obvodový jistič) musí být o velikosti minimálně 15 ampérů.
- Je důležité zařízení před zapojením řádně vyrovnat. K tomuto účelu slouží výškově nastavitelné nohy.
- Veškerá instalatérská práce musí být v souladu s místní normou.

- Ujistěte se, že veškeré trubky, potrubí nejsou poškozeny při montáži.
- Po montáži proveďte kontrolu na úniky.
- Toto zařízení není zamýšleno pro použití malými dětmi. Nikdy nedovolte dětem zařízení provozovat, hrát si s ním, lézt dovnitř apod.
- Přestože je jednotka řádně testována ve výrobě, kvůli dlouhému transportu a skladování je nutné první dávku kostek vyhodit.
- Nepoužívejte čisticí prostředky na bázi rozpouštědel nebo brusivého charakteru. Tyto prostředky mohou poškodit (vyblednout, poškrábat) spotřebič.
- Nepoužívejte zařízení na nic jiného než k čemu je určeno.
- Toto zařízení by nemělo být obsluhováno lidmi s mentální nebo fyzickou vadou a dětmi.
- Nepoužívejte spotřebič pokud je zástrčka nebo napájecí kabel poničen. V takovém případě je nutná výměna za nový. Kontaktujte výrobce, distributora nebo servisní středisko.
- Děti musí být neustále pod dozorem aby si se spotřebičem nehrály. Hlavní napájecí kabel vedte mimo dosah dětí. Nenechávejte jej viset přes hranu.

3. ČÁSTI A VLASTNOSTI



(ilustrativní nákres)

1	Ovládací panel	4	Police
2	Krytka ramene	5	Výstavná police
3	LED podsvícení	6	Noha

4. DŮLEŽITÉ BEZPEČNOSTNÍ POKYNY

⚡ POZOR ⚡

Pro zamezení rizika požáru, poranění elektrickým proudem či zranění, dodržujte základní pravidla, zejména a včetně následujících:

- Pročtěte si všechny instrukce před prvním použitím.
- **DANGER nebo WARNING:** Riziko chzcený dětí.
Vyhozené a opuštěné jednotky jsou stále nebezpečné . . . I když pouze “stojí v garáži po pár dní”.
- **Než spotřebič vyhodíte:** Odmontujte dveře. Police nechte uvnitř, aby děti nemohli snadno vlézt dovnitř.
- Nikdy nedovolte dětem zařízení provozovat, hrát si s ním, lézt dovnitř apod.
- Nikdy nečistěte zařízení, nebo jeho díly pomocí hořlavých kapalin, které zvyšují riziko požáru nebo výbuchu. A nikdy neskladujte hořlavé kapaliny v blízkosti zařízení.
- Neskladujte hořlaviny v blízkosti spotřebiče. Výpary zvyšují riziko požáru nebo výbuchu.
- Nepokoušejte se opravit nebo nahradit jakoukoli část zařízení pokud to není specifikováno v tomto manuálu. Jakýkoliv jiný servis musí být proveden kvalifikovaným technikem.
- Pojistku nahrazujte vždy stejnou, stejného typu.

- uchovejte tyto instrukce -

5. MONTÁŽNÍ INSTRUKCE

5.1. Před prvním použitím

- Odstraňte veškerý vnitřní i vnější obalový materiál.
- Zkontrolujte zda obsahuje následující:
 - dřevěné nebo chromové police
 - návod na použití
- umyjte vnitřek pomocí měkké tkaniny pro čištění interiéru a vlažné vody

5.2. Montáž vinotéky

- Tato vinotéka je buď volně stojící nebo vestavěná pod pult.
- Postavte na pevný podklad, aby unesl plně zatíženou skříň.
- Nechte 1-5 cm místa vzadu za vinotékou a na stranách – důležité pro cirkulaci vzduchu.
- Je nutné lokalizovat jednotku mimo přímé sluneční světlo a mimo zdroj tepla (sporák, radiátor, apod). Přímé sluneční světlo může ovlivnit akrylovou vrstvu a zvýšit spotřebu elektrické energie. Extrémně chledná okolní teplota může též vest k nesprávné funkci.
- Neumísťujte do vlhkých prostor.
- Zapojte do samostatné, řádně namontované uzemněné zásuvky. Za žádných okolností nezkracujte nebo neodjímejte zemní kolík. Dotazy musí být směřovány na kvalifikovaný servis nebo odborného elektrikáře.
- Po zapojení do zásuvky, nechte nachladit po 2-3 hodiny. Poté je možné umístit dovnitř zboží.
- Po transportu nechte v klidu stát po dobu 24 hodin.

5.3. Elektrické zapojení



Nevhodné použití zemního kolíku může vést k zásahu proudem. Pokud je napájecí kabel poničen, nechte jej vyměnit autorizovaným servisem.

- Pro vaší bezpečnost by toto zařízení mělo být řádně uzemněno. Napájecí kabel je vybaven třemi žilami které pasují do standardní 3-kabelové zásuvky pro minimalizaci možnosti zasažení proudem.
- Za žádných okolností nezkracujte nebo neodjímejte zemní kolík. Pro osobní bezpečnost je spotřebič uzemněn.
- Toto zařízení potřebuje standardní 220-240 Volt AC / 50Hz elektrický rozvod se třemi žilami. Nechte ji zásuvku a obvod zkontrolovat kvalifikovaným odborníkem. Pokud máte pouze dvoj žílový rozvod, je vaše povinnost a odpovědnost jej nahradit za tří-žílový, řádně uzemněný.
- Kabel musí být uchován za spotřebičem, nikoliv na přístupném místě vystaven riziku zranění.
- Zařízení by mělo být zapojeno do samostatné zásuvky o správné charakteristice uvedené na štítku. Takto je zaručena nejlepší funkčnost a výkon. Zameníme tak i přetěžování domovního okruhu, což by mohlo vest k riziku přehřátí. Nikdy neodpojujte taháním za napájecí kabel. Hned opravte nebo vyměňte poničené kabely. Pokud spotřebič stěhujete, dbejte pozornosti aby nebyl poničen napájecí kabel.

5.4. Prodlužovací kabel

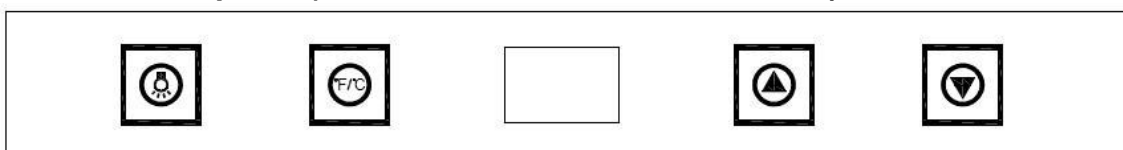
Z důvodu potenciální bezpečnostní hrozby, se doporučuje prodlužovací kabel nepoužívat. Nicméně, pokud není jiná možnost, prodlužovací kabel musí být tří žílový se zemní žílou a elektrické charakteristiky kabelu musí splňovat 220-240 voltů a nejméně 10 ampérů.

6. PROVOZ CHLADNIČKY NA VÍNO

6.1. Zvláštní upozornění

- Pokud zapínáte vinotéku poprvé nebo po dlouhé době nečinnosti, je běžné že nastavená teplota se nebude shodovat se skutečnou teplotou. Po pár hodinách se tato variance srovná.
- Doporučuje se, aby jste umístili chladničku na víno v místě, kde se okolní teplota pohybuje mezi 16-32 ° C (60-90 ° F) . Pokud je okolní teplota vyšší nebo nižší než doporučené teploty, může být ovlivněn výkon jednotky. Například umístění do extrémně chladných nebo teplých podmínek může způsobit vnitřní kolísání teploty. Nemůže tak být dosaženo rozsahu nastavených teploty (viz. Technické údaje).

6.2. Ovládací panel (DX-16.46K, DX-20.62K, DX-28.88K)



SVĚTLO

Pro zapnutí / vypnutí vnitřního osvětlení.



NAHORU

Jedno stisknutí zvýší nastavenou teplotu o 1 °C nebo 1 °F.



DOLŮ

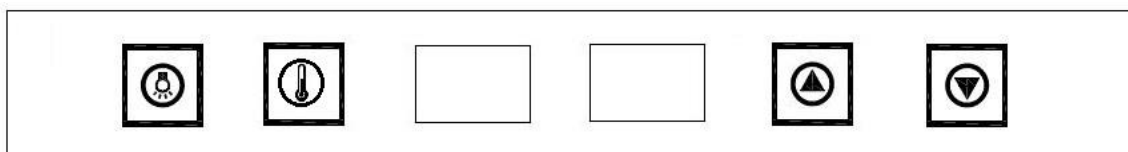
Jedno stisknutí sníží nastavenou teplotu o 1 °C nebo 1 °F.



FAHRENHEIT nebo CELSIUS

Volba jednotek teploty Fahrenheit nebo Celsius. Stisknutím a podržením po dobu 5 sekund.

6.3. Ovládací panel (DX-30.80DK, DX-46.128DK, DX-54.150DK)



SVĚTLO a přepínač FAHRENHEIT / CELSIUS

Pro zapnutí / vypnutí vnitřního osvětlení. Podržením po dobu 5 sekund přepínáme zobrazované jednotky teploty.



NAHORU

Jedno stisknutí zvýší nastavenou teplotu o 1 °C nebo 1 °F.



DOLŮ

Jedno stisknutí sníží nastavenou teplotu o 1 °C nebo 1 °F.



VOLBA ZÓNY

Přepíná mezi zónami pro nastavování teploty.

Upozornění!

DX-46.128DK, DX-54.150DK neumožňuje nastavení většího rozdílu teplot mezi oběma zónami než 6 stupňů Celsia. Spodní zóna potome nemusí dosáhnout nastavené teploty. Toto je normální jev. Po vypnutí spotřebiče je opětovné zapnutí možné až po 3-5 minutách.

6.4. Zámek ovládacího panelu (všechny modely), ON/OFF vypínač (DX-30.80DK, DX-46.128DK, DX-54.150DK)

- Vinotéka je vybavena automatickým zámek ovládacího panelu. Toto zamezuje nechtěné nastavení teploty nebo výkonu.
- Zámek se automaticky aktivuje po 12 sekundách nečinnosti.
- Odemknutí zámku provedeme stisknutím šipky **nahoru** a **dolů** zároveň po dobu 5ti sekund. Ovládací panek blikne a pípne, což je indikace odemčení.
- Vinotéku zapneme / vypneme stisknutím tlačítek **SVĚTLO** a **VOLBA ZÓNY** zároveň po dobu 5ti sekund.

6.5. Skladovací kapacita

Lze umístit 16 (DX-16.46K), 20 (DX-20.62K), 28 (DX-28.88K), 30 (DX-30.80DK) 46 (DX-46.128DK), 56 (DX-54.150DK) láhví (jak specifikováno na čísle modelu). Počítáno na běžné láhve typu Bordeaux 750 ml.

7. PÉČE A ÚDRŽBA

7.1. Odmrazování

Jednotka by měla být odmrazována manuálně. Kondenzát se shlukuje v kanálku za zadní stěnou, odkud odkapává do mističky, kde se odpařuje.

7.2. Čištění

- Vypněte, odpojte od napájení a vyndejte veškerý obsah včetně polic.
- Stírejte vnitřek pomocí houby a roztoku z jedlé sody. Roztok v poměru 2 polévkové lžičce sody na 1 litr teplé vody.
- Police umývejte měkkým saponátem. Nechte dřevěné police vyschnout před vložením zpět do vinotéky.
- Při čištění ovládacího panelu nebo elektrických částí je nutné veškerou přebytečnou vodu z houby nebo hardu vyždímat.
- Venkovní skříň otírejte jemným saponátem, sušte měkkým hadříkem.
- Na nerezové části nepoužívejte drátěnku ani ocelové kartáče. Tyto mohou nerez poškrábat, narušit ochranou vrstvu což může vést ke korozi.

7.3. Odstávky

- **Krátké:**
V případě krátké odstávky (dovolené) méně než 3 týdny nechte vinotéku v provozu.
- **Dlouhé:**
Pokud vinotéka nebude v provozu po několik měsíců, vyprázdněte ji, odpojte od napájení. Umyjte a usušte interiér. Pro zamezení plísní a zápachu, nechte po dobu nečinnosti dveře vinotéky pootevřené.

7.4. Přesouvání

- Vyjměte veškerý obsah.
- Veškeré pohyblivé části (police) zabezpečte proti pohybu páskou.
- Všechny nastavitelné nohy zatáhněte dovnitř na minimální výšku.
- Páskou zajistěte dveře proti oteření.
- Ujistěte se, že zařízení stojí bezpečně svisle během transportu. Venkovní skříň je potřeba ochránit např. pomocí deky.

7.5. Tipy na úsporný provoz

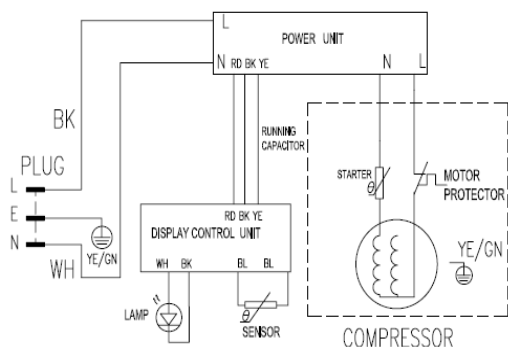
- Zařízení by mělo stát mimo jakýkoliv zdroj tepla a též mimo přímé sluneční světlo.
- Zajistěte řádné větrání. Nikdy nezakrývejte žádný ventilátor.
- Dveře otvírejte jen když je to nutné. Nenechávejte dveře otevřené. Vyvarujte se častému otevírání a zavírání.
- Přepliňování vinotéky má za následek častějšího spínání kompresoru a delší cykly.

8. ŘEŠENÍ PROBLÉMŮ

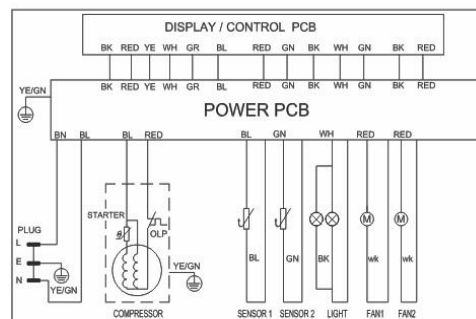
Máte-li podezření na disfunkci, poruchu, postupujte dle těchto kroků. Část si problém můžete vyřešit sami, než zavoláte servisního technika.

PROBLEM	MOŽNÁ PŘÍČINNA/MĚŘENÍ
Vinotéka nefunguje	Není zapojena do elektriky. Zařízení je vypnuté. Spálená pojistka nebo schozený jistič.
Časté automatické spínání	Teplota v místnosti je vyšší než obvykle. Do vinotéky byl vložen nový objemný obsah. Dveře jsou často otevírány. Dveře nejsou zcela dovřeny. Teplota je nesprávně nastavena. Těsnění dveří je poškozeno.
Velké vibrace	Zkontrolujte vodorovnost usazení. Zkontrolujte zda není žádný volný předmět v komůrce kompresoru nebo v užitém prostoru.
Velká hlučnost	Může způsobovat tok chladicího média, což je normální. Na konci cyklu je normální zachramotání. Kontrakce a rozpínání materiálu uvnitř může způsobovat drobné praskání. Zařízení není vodorovně usazeno.
Dveře nelze řádně dovřít	Zařízení není vodorovně usazeno. Dveře byly otočeny a nesprávně nasazeny. Těsnění je znečištěno. Police jsou mimo místo určení.

9. SCHÉMA ZAPOJENÍ



DX-16.46K, DX-20.62K, DX-28.88K
54.150DK



DX-30.80DK, DX-46.128DK, DX-54.150DK

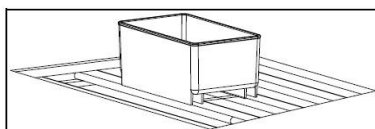
10. TECHNICKÁ SPECIFIKACE

Model		DX-16.46K	DX-20.62K	DX-28.88K
objem (litry)		46L	62L	88L
Materiál	Skříň	Ocel	Ocel	Ocel
	dveře	Sklo	Sklo	Sklo
rozměry (Š×H×V)(mm)		430x480x510	430x480x640	430x480x825
balení (Š×H×V)(mm)		460x515x530	460x540x660	460x515x845
Čistá hmotnost (Kg)		18	22	26
Hrubá hmotnost (Kg)		19	24	28
spotřeba (KWh/24h)		0.52	0.858	0.858
chladio		R600a	R600a	R600a
Rozsah teploty tolerance		4-18°C +/- 2 °C	4-18°C +/- 2 °C	4-18°C +/- 2 °C
Napětí		AC 220V	AC 220V	AC 220V
Frekvence		50Hz	50Hz	50Hz
Příkon		85W	85W	85W

Model		DX-30.80DK	DX-46.128DK	DX-54.150DK
objem (litry)		80L	128L	158L
Materiál	Skříň	Ocel	Ocel	Ocel
	dveře	Sklo	Sklo	Sklo
rozměry (Š×H×V)(mm)		480x490x835	480x470x1125	480x470x1295
balení (Š×H×V)(mm)		510x520x870	510x520x1165	510x520x1335
Čistá hmotnost (Kg)		28	42	47,6
Hrubá hmotnost (Kg)		30	44,5	50
spotřeba (KWh/24h)		0.516	0,63	0,64
chlادivo		R600a	R600a	R600a
Rozsah teploty tolerance		5-18°C +/- 2 °C	5-18°C +/- 2 °C	5-18°C +/- 2 °C
Napětí		AC 220V	AC 220V	AC 220V
Frekvence		50Hz	50Hz	50Hz
Příkon		88W	100W	100W

Kontrola vlhkosti

Přístroj je vybaven systémem pro udržování správné hodnoty vlhkosti. Za extrémně suchých podmínek okolního prostředí, budete muset přidat trochu vody do zvlhčovací nádobky dodané společně s vinotékou. Naplňte nádobku (zvlhčovací box) do ¾ vodou a umístěte ji na běžce, které naleznete na horní polici Vašeho spotřebiče. Pravidelně kontrolujte hladinu vody a znovu doplňujte dle potřeby. Prosím, ujistěte se, že nádobka je správně umístěna na běžcích horní police tak, aby nedocházelo k úniku vody.



■ Toto označení znamená, že tento výrobek by neměl být používán s jinými domácími odpady v celé EU. Aby se zabránilo možnému poškození životního prostředí nebo lidského zdraví způsobeným nekontrolovanou likvidací odpadu, recyklujte je zodpovědně k podpoře opětovného využití hmotných zdrojů. Chcete-li vrátit použité zařízení, použijte prosím sběrný nebo se obraťte na prodejce, u kterého byl výrobek zakoupen. Umí výrobek bezpečně recyklovat.

