

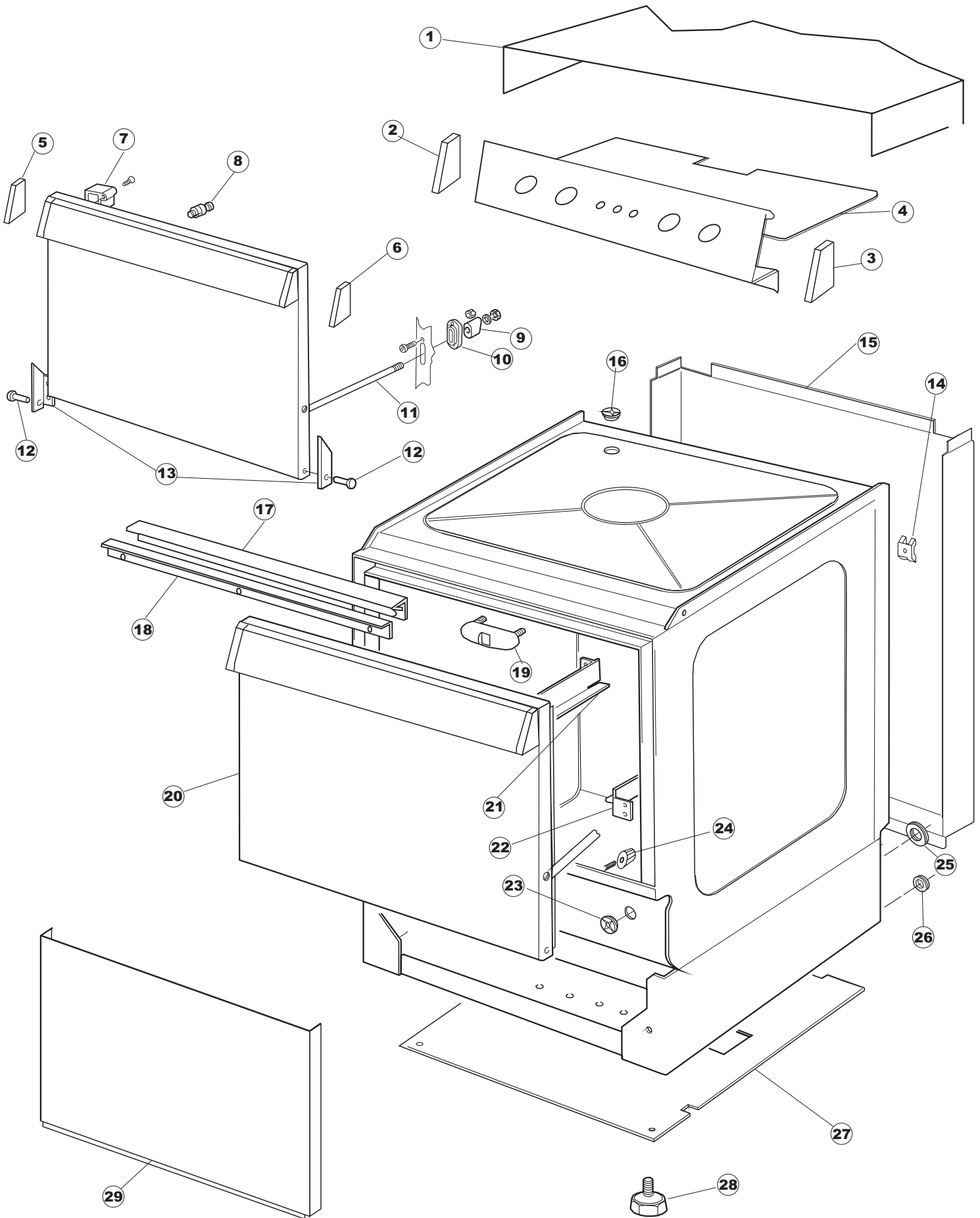
ELETTROBAR

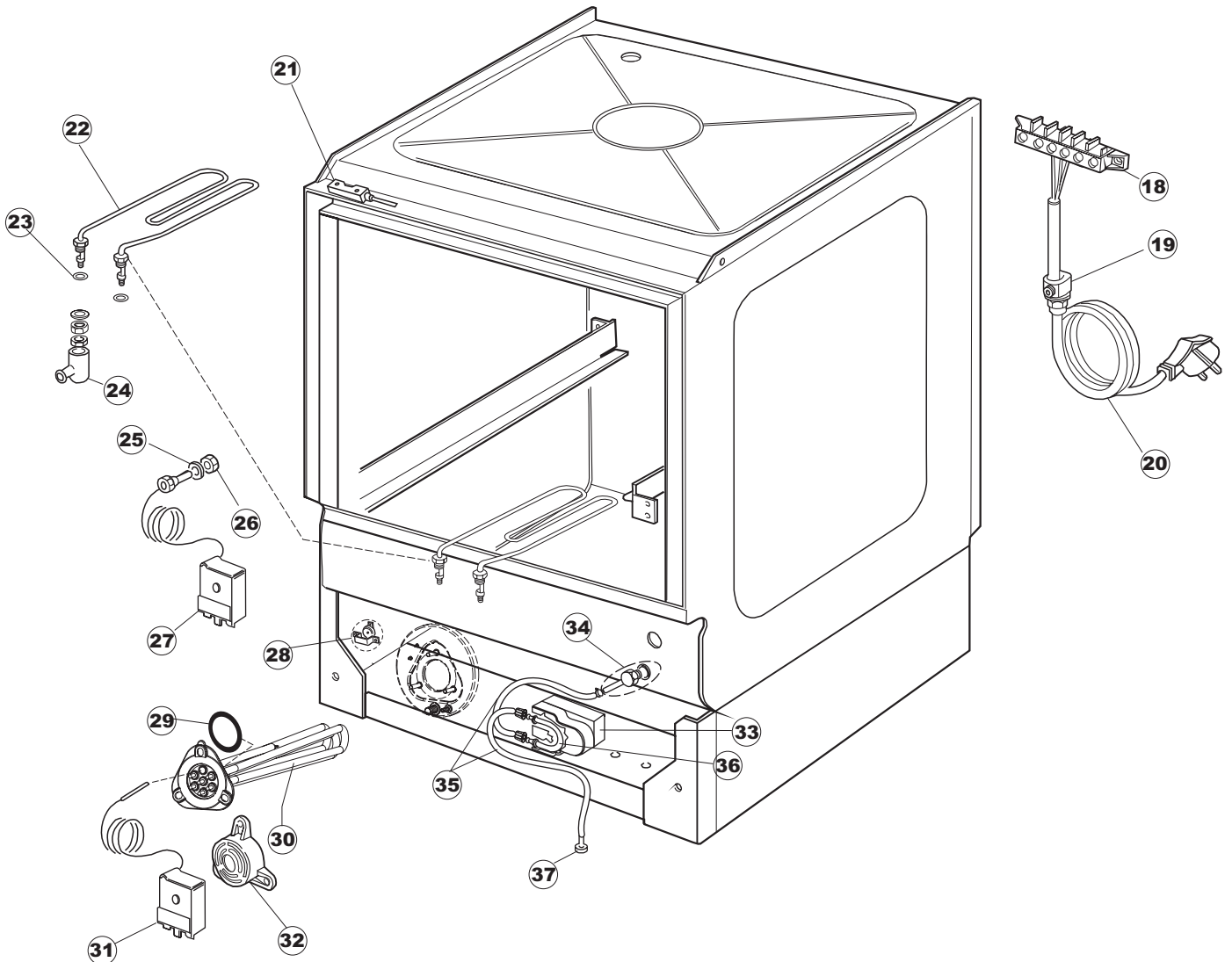
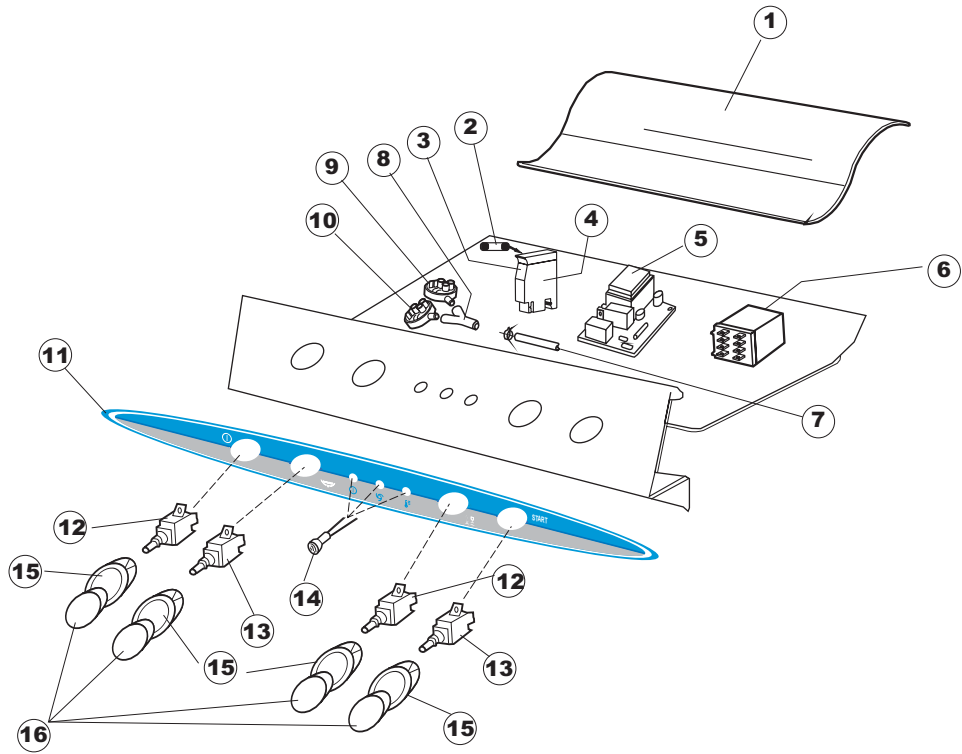
**SPARE PARTS CATALOGUE
ERSATZTEILKATALOG
CATALOGUE PIECES DETACHEES
CATALOGO PARTI RICAMBIO
CATALOGO DE PIEZAS DE RECAMBIO
CATALOGO PEÇAS DE REPOSIÇÃO**

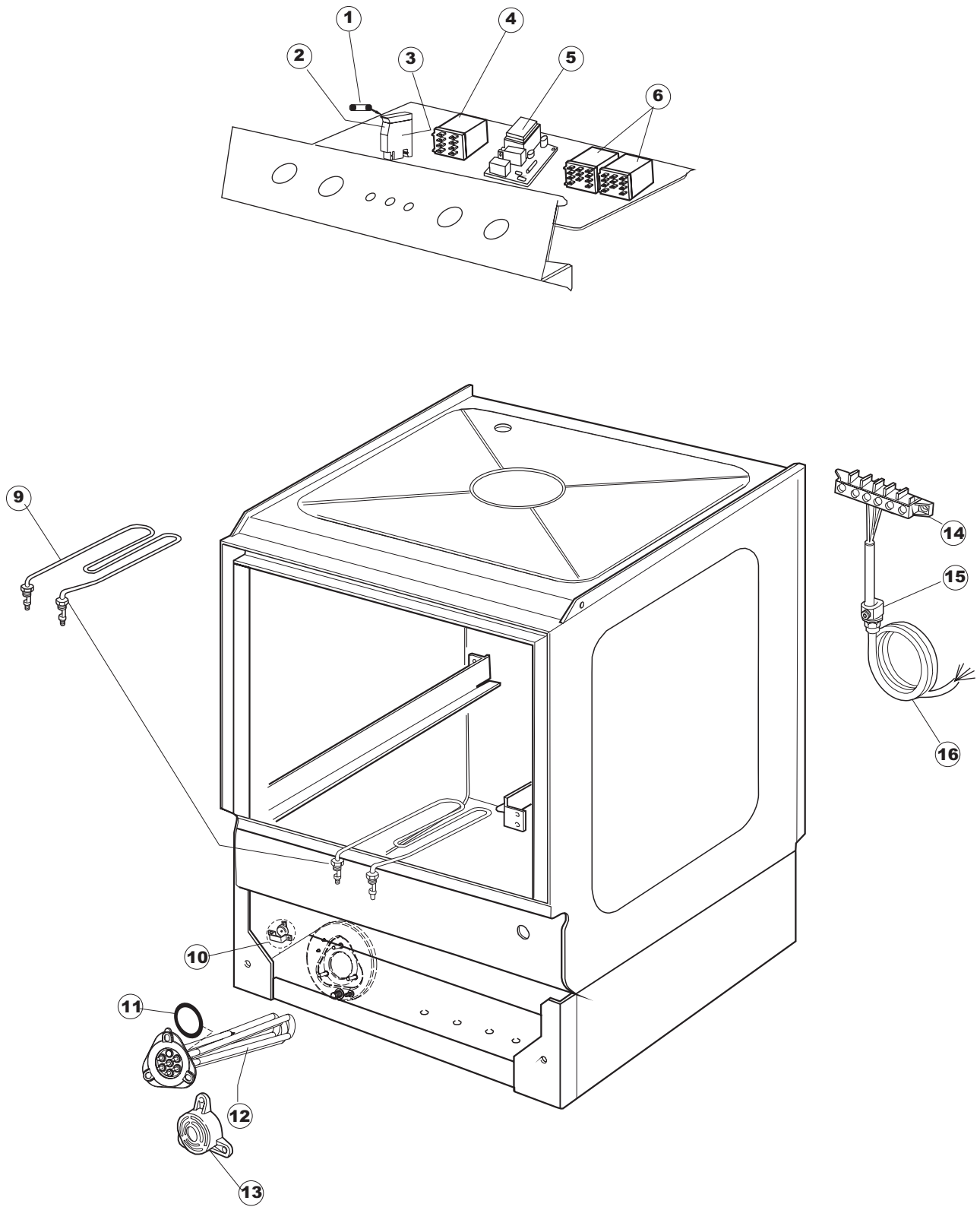
**FAST 51 M
FAST 51 T**

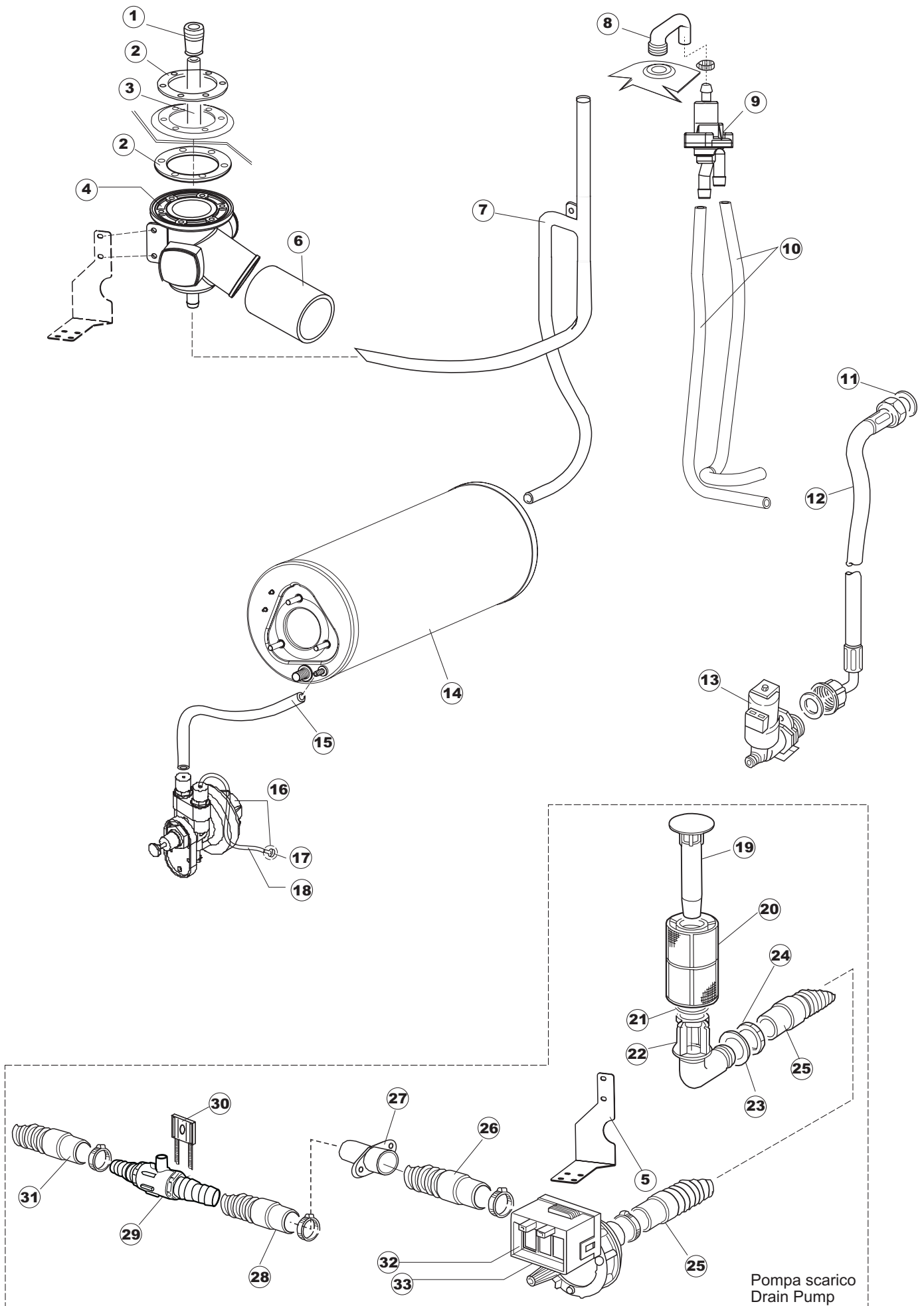
06-04-2009

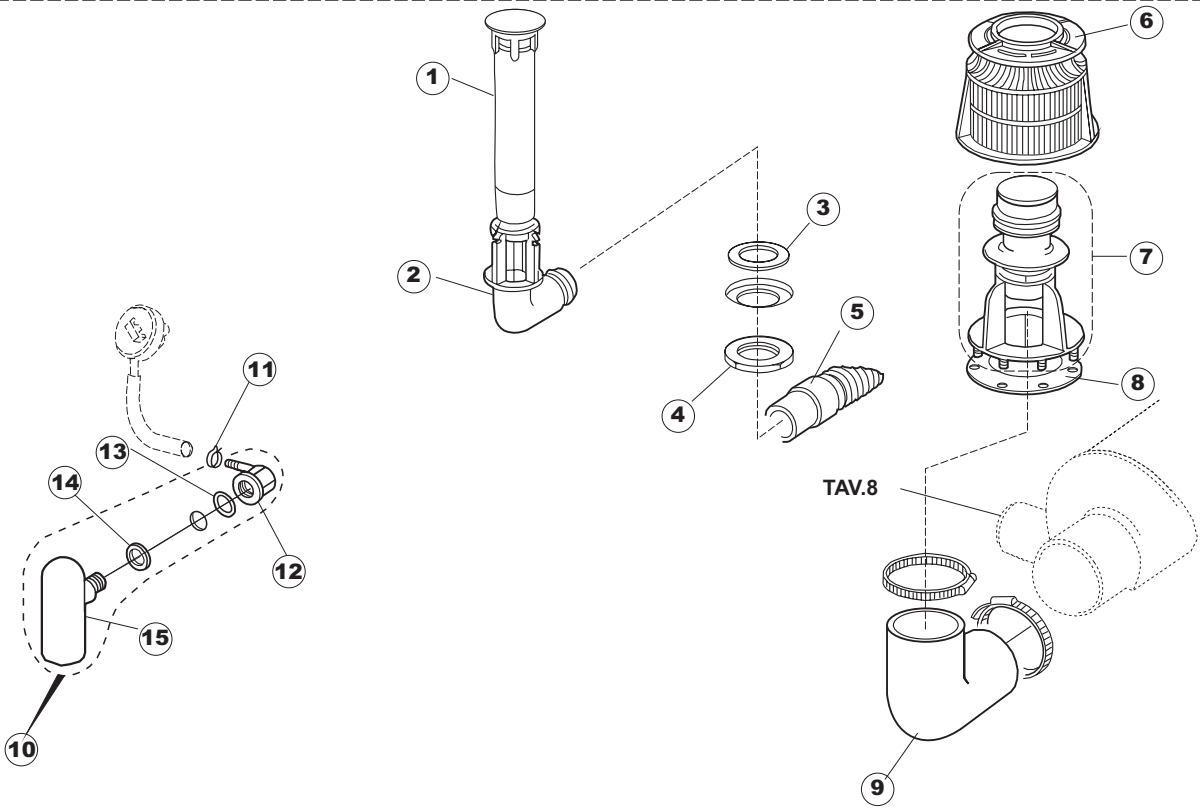
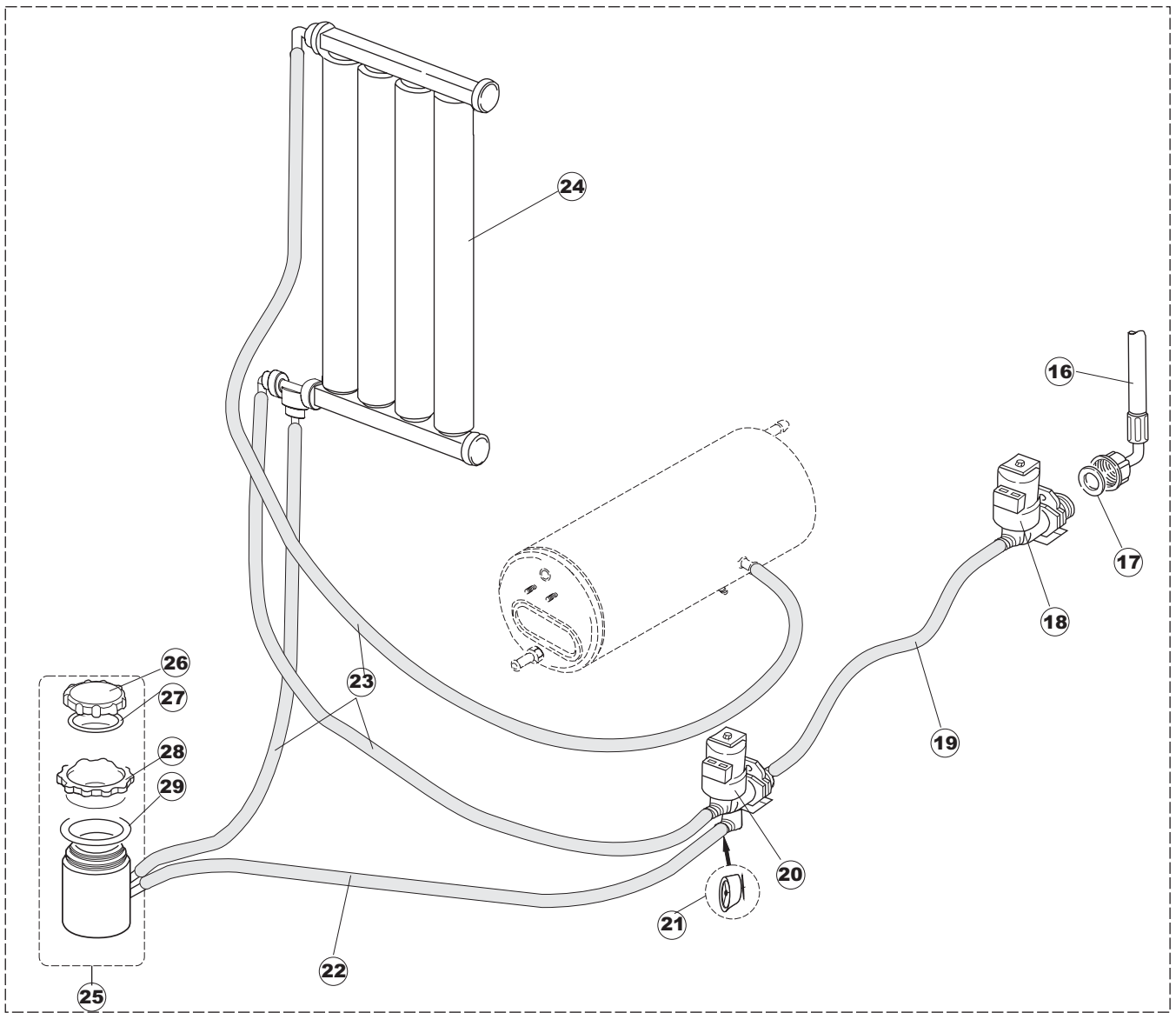
1



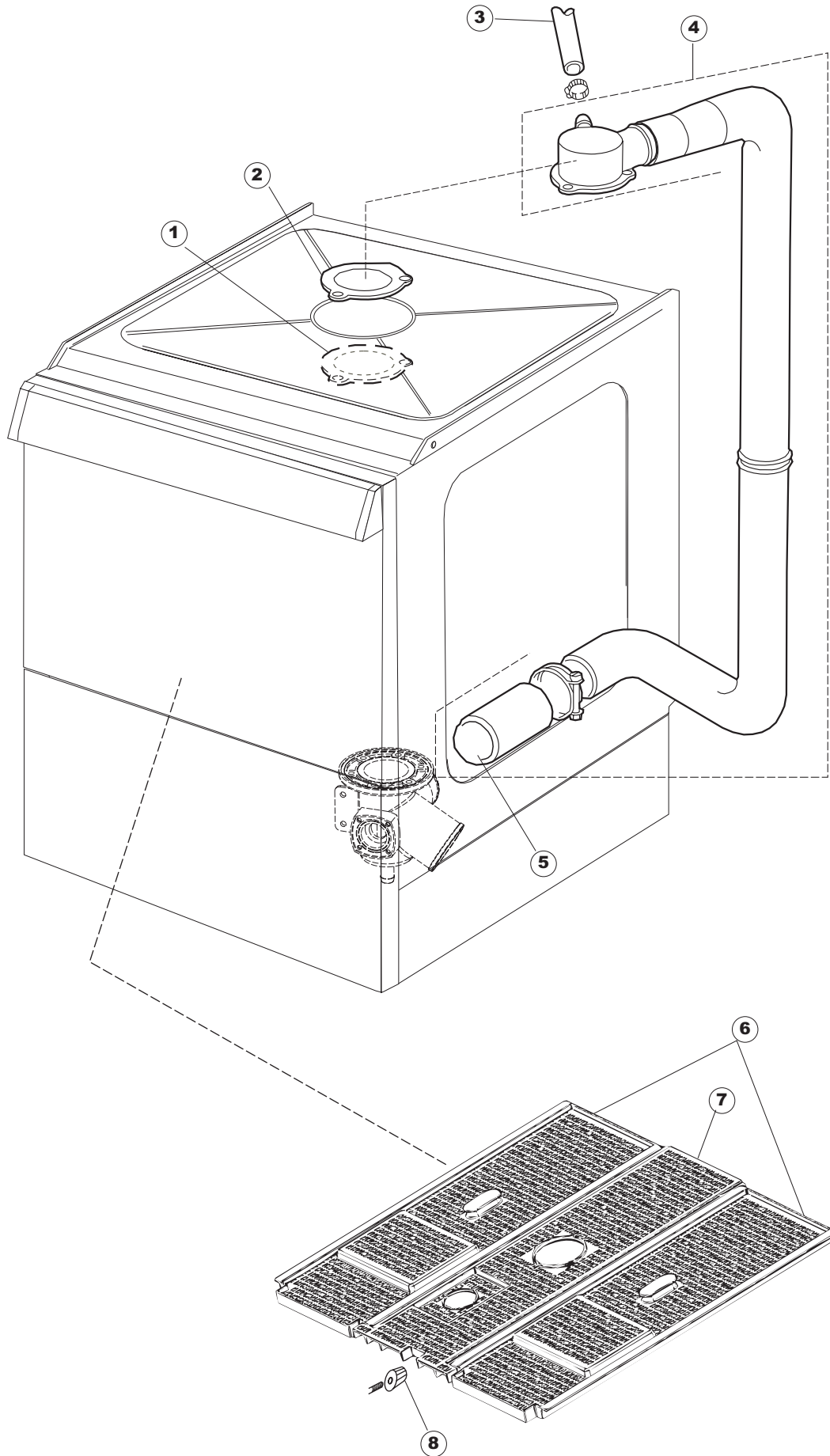


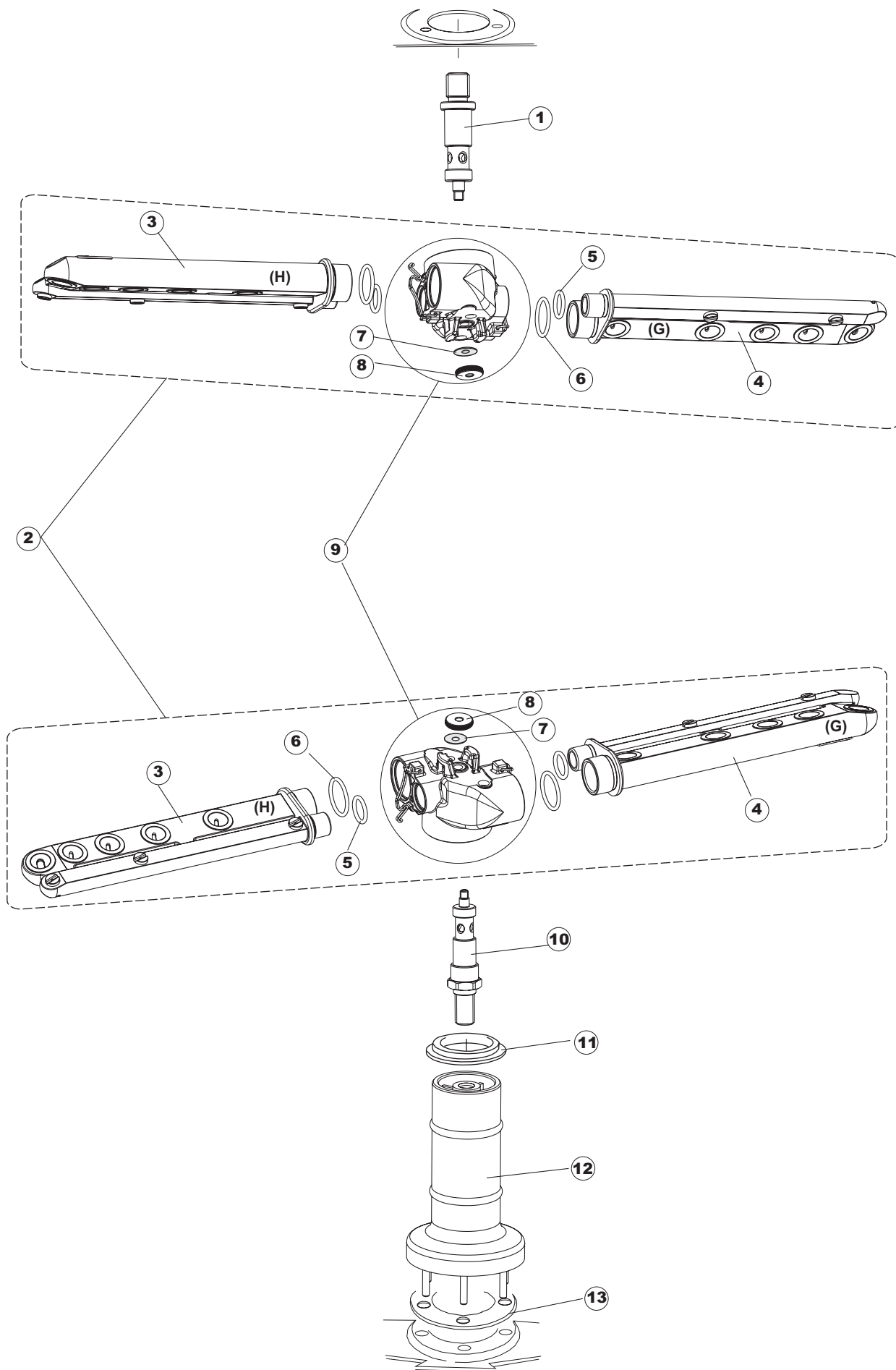






6

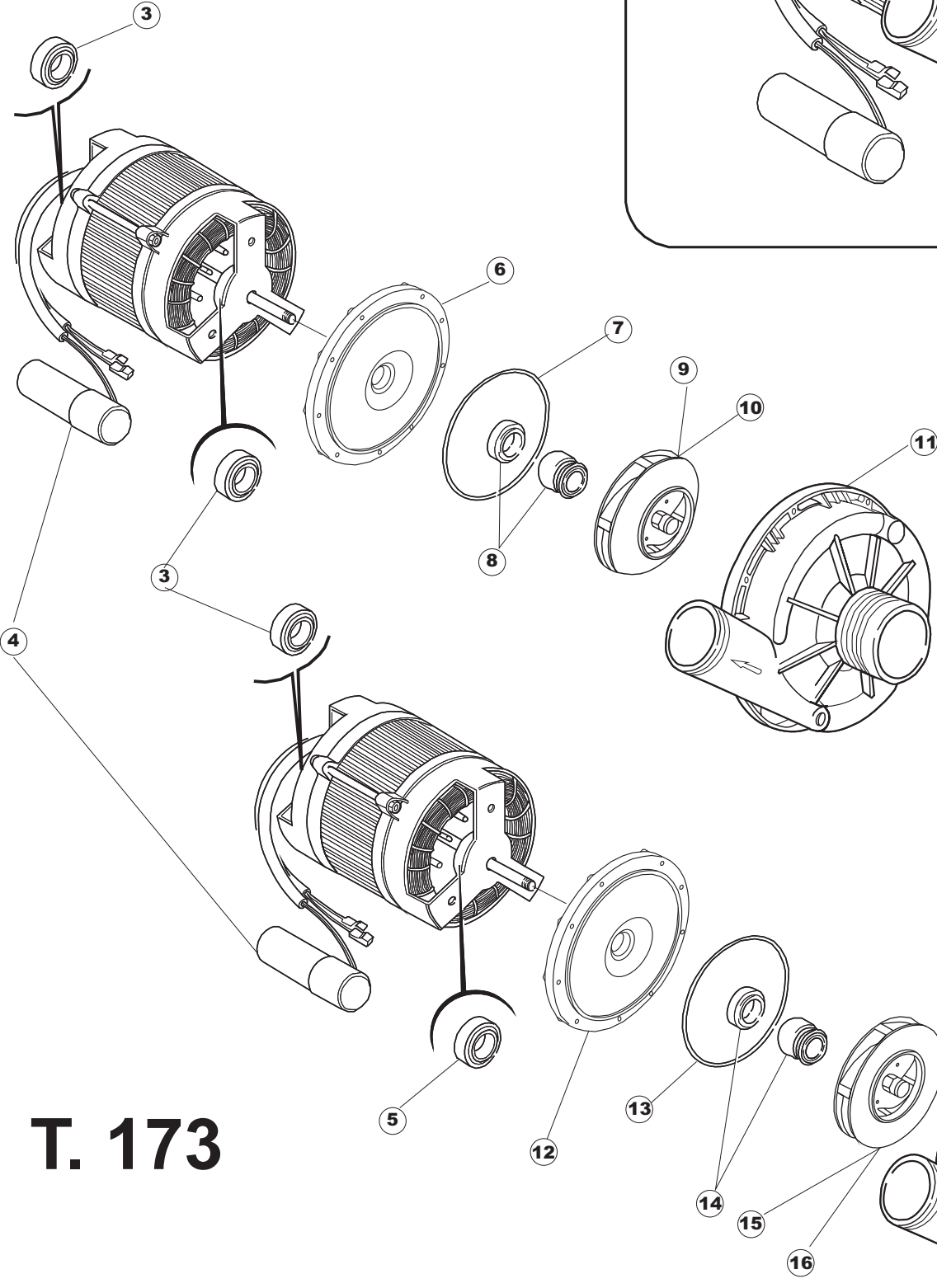
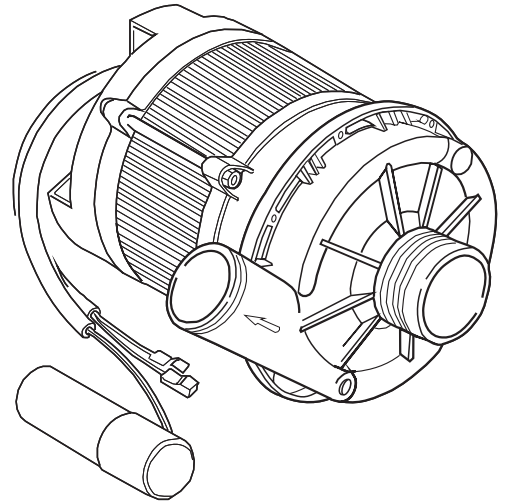




B. 237

1

2



T. 173

Page	Spare part position	Code number	Old code number	Description	U. m.	Price
1	1	004100	REB004100	COVER E.50	NR	132,02
1	2	480125		COVER PLUG-LH E50/E51/E55 BLUE	NR	1,13
1	3	480126		COVER PLUG-RH.E50/E51/E55 BLUE	NR	1,13
1	4	025654		CONTROL PANEL E50/51 NEW	NR	80,00
1	5	480141		CAP, HANDLE LH E50/E51/E55 BLUE	NR	1,08
1	6	480142		CAP, HANDLE RH E50/E51/E55 BLUE	NR	1,08
1	7	999108	REB999108	GRUPPO CALAMITA PORTA 453/463/500/503	NR	6,53
1	8	325030	REB325030	LOCK PIN, INOX	NR	2,77
1	9	417041	REB417041	NUT, DOOR BUFFER	NR	2,77
1	10	307003	REB307003	NUT-LEDGE, FOR ROD	NR	3,88
1	11	304021	REB304021	ROD, DOOR GUIDE 50/500/453/463/503	NR	6,15
1	12	325036	REB325036	PIN, DOOR HINGE 50	NR	3,88
1	13	311019	REB311019	HINGE, DOOR 45/46/50..	NR	5,48
1	14	425007	REB425007	PLATE, FOR CRADLE - NYLON NEUTRAL	NR	1,30
1	15	022095	REB022095	PANEL, REAR CPL 50/503	NR	50,24
1	16	480058	REB480058	CAP, RUBBER D.17	NR	1,13
1	17	437081	REB437081	GASKET, DOOR - 50/503	NR	5,67
1	18	033301	REB033301	BRACKET, FIXED FOR DOOR GASKET 50/503	NR	11,52
1	19	994012	DWS30	GRUPPO SERRATURA EB/F 22/44	NR	11,95
1	20	029589		DOOR	NR	256,73
1	21	015064		RACK SLIDE SX.	NR	8,75
1	22	015063		RACK SLIDE DX.	NR	10,00
1	23	480057	REB480057	CAP, RUBBER D.14	NR	1,35
1	24	408006	REB408006	STUD, FOR TANK FILTER - GREY	NR	1,35
1	25	459004	REB459004	PIPEHOLDER, RUBBER DI.34	NR	2,21
1	26	459006	REB459006	FAIRLEAD, Di9/De16 22	NR	0,38
1	27	030080	REB030080	PROTECTION, LOW. SOCLE 50/503	NR	31,59
1	28	461019	REB461019	FOOT, ADJUST. D30 M8	NR	2,21
1	29	012326		FRONT PANEL	NR	41,18
2	1	214108		TRANSPARENT PROTECTION FOR ELECTRIC INSTALLATION FOR DISHWASHER	NR	6,25
2	2	228010		FUSE	NR	0,60
2	3	210010		FUSE-HODER	NR	6,16
2	4	210011		PLATE	NR	1,26
2	5	215029		MAIN BOARD	NR	73,50
2	6	229039		RELAY 62.82.8.230.0300	NR	25,34
2	7	143013	REB143013	PIPE, PVC GREEN 4X7	MT	2,21
2	8	035031	REB035031	UNION, Y-TYPE, PRESSURE SWITCH 760	NR	3,88
2	9	224010		PRESSURE SWITCH, DRAIN PUMP SAFETY 110/75	NR	19,39
2	10	224003	REB224003	PRESSURE SWITCH - 55/35	NR	18,73
2	11	026094		POLYESTERE CONTROL PANEL	NR	12,95
2	12	208011	REB208011	SWITCH, DOUBLE E.35/40	NR	5,37
2	13	226095	REB226095	PB W/DOUBLE CONTACT E.35/40	NR	5,37
2	14	216025	REB216025	WARNING LAMP, SERIES 24.5.0.00.04.78	NR	3,88
2	15	226113		SWITCH HOLDER ELLIPT. GREY	NR	0,80
2	16	227067		KEY, ELLITTICO BLUE	NR	1,03
2	18	220011	REB220011	* TERMINAL BOARD, 5-POLES + EARTH FV.122	NR	6,96
2	19	459005	REB459005	CABLE CLAMPS, STEAB art.5024	NR	3,88
2	20	299040	REB299040	PLUG, SCHUKO 90^ CABL. l=2.5mt	NR	21,31
2	21	211002	REB211002	CONTACT, MAGNETIC+CABLE 302N.Ocm25	NR	11,89
2	22	230086	REB230086	RESISTANCE, TANK 2700W/220V-3200W/240V 22/44/50	NR	45,61

2	23	456015	REB456015	O-ring 112 9.92X2.62	NR	1,13
2	24	463007	REB463007	LUG, RESISTANCE PROTECTION	NR	2,21
2	25	437030	REB437030	GASKET, D14D22S1.5 FIBRE	NR	2,85
2	26	417017	REB417017	NUT, TANK THERMOSTAT	NR	2,21
2	27	236042	REB236042	THERMOSTAT, TANK TR711 Tf-53ø	NR	23,89
2	28	236047	REB236047	THERM.,CONT. TANK/S.95ø+/-3ø	NR	6,78
2	29	456002	REB456002	O-ring 48x6,2	NR	1,13
2	30	230116		HEATING ELEMENT 3000W/230V	NR	52,00
2	31	236043	REB236043	THERMOSTAT, BOILER TR711 Tf-83ø	NR	21,85
2	32	69870		BOILER HEATING ELEMENT PROTECTION	NR	1,60
2	33	209021		PERISTALTIC DISPENSER (NBR-3)	NR	183,13
2	34	468151	DZR150NT	UNION, EXTRA DET. CPL NM * WELDED	NR	14,28
2	35	143194	REB143194	PIPE 4x6 CRISTAL, TRANSP.	MT	0,72
2	36	143219	REB143219	TUBE, SANTOPRENE 6X10 FITTINGS+METAL RINGS	NR	19,70
2	37	121075	REB121075	FILTER, SUCT.INOX (775239-001)	NR	11,18
3	1	228010		FUSE	NR	0,60
3	2	210010		FUSE-HODER	NR	6,16
3	3	210011		PLATE	NR	1,26
3	4	229039		RELAY 62.82.8.230.0300	NR	25,34
3	5	215029		MAIN BOARD	NR	73,50
3	6	229040		RELAY 62.83.8.230.0300	NR	26,04
3	9	230086	REB230086	RESISTANCE, TANK 2700W/220V-3200W/240V 22/44/50	NR	45,61
3	10	236039	REB236039	THERM.,CONT. BOILER/S-110ø+/-5ø	NR	7,27
3	11	456002	REB456002	O-ring 48x6,2	NR	1,13
3	12	230111		RESIST.B.4900W/230-400V	NR	88,18
3	13	69870		BOILER HEATING ELEMENT PROTECTION	NR	1,60
3	14	220011	REB220011	* TERMINAL BOARD, 5-POLES + EARTH FV.122	NR	6,96
3	15	459005	REB459005	CABLE CLAMPS, STEAB art.5024	NR	3,88
3	16	H.374339-2		CABLE HO7RN-F 5X2.5X3.0MT	NR	31,26
4	1	441009	REB441009	INSERT, SEAL D10 COLL.S621-	NR	1,35
4	2	437014	REB437014	GASKET, LOWER MANIFOLD S850	NR	2,21
4	3	143174	REB143174	PIPE, WATER LOW.COLL. RINSE 50	NR	4,75
4	4	111030		NEUTRAL LOWER MANIFOLD ASS. E50NM+PLUG	NR	8,92
4	5	035064		BRACKET, DRAIN PUMP FOR MANIFOLD 50NM	NR	15,00
4	6	127026	REB127026	SLEEVE, PUMP DELIVERY 22/500	NR	5,37
4	7	143240		PIPE, H-)COND.UPPER	NR	40,96
4	8	143189	REB143189	TUBE, DRAIN SFIATO DVGW CLEAN.3	NR	2,65
4	9	144011	REB144011	CHECK VALVE (EB)	NR	6,72
4	10	143004	REB143004	PIPE, PRESSURE SWITCH TP 10X17 (CASER/15NL C4N)	MT	9,73
4	11	437041	REB437041	GASKET 3/4 GAS LOAD	NR	1,13
4	12	929169	RAT32	TUBO DI CARICO DEL TERMOPLASTICO	NR	17,49
4	13	240011	REB240011	LOADING S.VALVE 1-WAY	NR	10,84
4	14	104060		BOILER	NR	119,00
4	15	143005	SPG10	PIPE, PRESSURE SWITCH TP 5x11 (CASER/15/NL C4N)	MT	11,10
4	16	209025		RINSE AID DISPENSING PUMP	NR	69,72
4	17	121017		FILTER, RINSE-AID SUCT.	NR	1,13
4	18	H.775601		PIPE 4x6 CRISTAL BLUE PVC	MT	0,70
4	19	142053	REB142053	OVERFLOW, DRAIN 50/503 NM	NR	6,53
4	20	121078	REB121078	FILTER, DRAIN PUMP 463/503	NR	7,95
4	21	303019	REB303019	RING, ELASTIC FOR DRAIN PUMP FILTER 503	NR	4,75
4	22	136023	REB136023	DRAIN, BENT 50/503	NR	5,48
4	23	437063	CGG42	GASKET, DRAIN 50	NR	1,35
4	24	417081	CDP2	NUT, PLASTIC 1'- 1/4	NR	2,21
4	25	127050	REB127050	SLEEVE, RIGIDO ASP.P.S. 500/503	NR	9,35
4	26	127044	REB127044	SLEEVE, SUCT.DRAIN PUMP 353/403	NR	5,48
4	27	468152	REB468152	UNION, DRAIN CLEAN.3	NR	3,76

4	28	127037	REB127037	SLEEVE, DRAIN CLEAN.3	NR	4,97
4	29	144003	REB144003	RELIEF VALVE, DRAIN PUMP	NR	11,64
4	30	423024	REB423024	CLAMP, PLAST.FOR DRAIN PUMP PIPE CLAMP.	NR	2,21
4	31	143178	REB143178	PIPE, DRAIN - 50	NR	10,46
4	32	130105	REB130105	DRAIN PUMP (50/503/460/BD18)	NR	59,84
4	33	130150		DRAIN PUMP (50/503/460/BD18) 60HZ	NR	49,69
5	1	142052	REB142052	OVERFLOW 50/503 NM	NR	6,53
5	2	136023	REB136023	DRAIN, BENT 50/503	NR	5,48
5	3	437063	CGG42	GASKET, DRAIN 50	NR	1,35
5	4	417081	CDP2	NUT, PLASTIC 1'- 1/4	NR	2,21
5	5	143178	REB143178	PIPE, DRAIN - 50	NR	10,46
5	6	121052	DAF136U	FILTER, PUMP - 22/44	NR	23,29
5	7	478059		SUPPORT, FILTER GREY+EXTENSION	NR	13,14
5	8	437015	REB437015	GASKET, PUMP FILTER S651-	NR	2,77
5	9	127041	REB127041	SLEEVE, SUCTION 463/503	NR	14,23
5	10	984005	REB984005	GRUPPO CAMPANA PRESSOST.35/40	NR	13,02
5	11	423011	REB423011	CLAMP, SPRING-TYPE	NR	0,58
5	12	468029	REB468029	UNION, PRESSURE SWITCH BELL	NR	2,09
5	13	456020	REB456020	O-ring 3050 R495	NR	1,13
5	14	437019	REB437019	GASKET, CAMP. PRESS. V.M.	NR	1,13
5	15	107005	REB107005	PRESSURE SWITCH BELL EB 35/40	NR	3,88
5	16	929169	RAT32	TUBO DI CARICO DEL TERMOPLASTICO	NR	17,49
5	17	437041	REB437041	GASKET 3/4 GAS LOAD	NR	1,13
5	18	240016	DEV3S16	LOADING S.VALVE 1-WAY 3/4 230V PART.16L	NR	16,14
5	19	143246		PIPE, -)SOFTENER	NR	10,62
5	20	999288		GRUPPO VALVOLA DEVIATR.CON RIDUTTORE	NR	42,50
5	22	143243		PIPE, -)DVGW	NR	10,46
5	23	143004	REB143004	PIPE, PRESSURE SWITCH TP 10X17 (CASER/15NL C4N)	MT	9,73
5	24	117007		WATER SOFTNER	NR	72,80
5	25	406998	REB406998	SALT CONTAINER NM	NR	25,13
5	26	480005	REB480005	SALT CONTAINER SCREW CAP	NR	4,75
5	27	456052	REB456052	O-ring 144	NR	1,13
5	28	429011	REB429011	RING NUT, SALT CONT.	NR	4,75
5	29	437034	REB437034	GASKET, D68D81S3 RUBBER	NR	4,80
6	1	303029	REB303029	RING, DRIPPING 46/50..	NR	15,45
6	2	437064	REB437064	GASKET, MANIFOLD, CENTR.UPP.50	NR	2,21
6	3	143240		PIPE, H-)COND.UPPER	NR	40,96
6	4	115131		EXTERIOR WASH PIPE CPL.E50-503	NR	30,90
6	5	127036	REB127036	SLEEVE, LOW.WASH.COND. 50/f	NR	4,75
6	6	121139		FILTER	NR	9,50
6	7	121138		FITER	NR	8,00
6	8	408006	REB408006	STUD, FOR TANK FILTER - GREY	NR	1,35
7	1	325080		UPPER PARALLEL WASHARM SHAFT E50/503	NR	12,88
7	2	990113		GRUPPO LAV.RISC.BRACCI PARALLELI E50..	NR	45,32
7	3	106153		WASH/RINSE ARM E50 (8 NOZZLES) PARALLEL	NR	15,45
7	4	106152		WASH/RINSE ARM E50 (7 NOZZLES) PARALLEL	NR	14,94
7	5	456070		OR D.I.15.54X2.62 ART.20886	NR	0,55
7	6	456071		OR D.I.24X2.5 ART.34916	NR	0,55
7	7	437100		PACKING	NR	0,55
7	8	454006		PIN	NR	2,16
7	9	129068		COMPLETE WASH AND RINSE ARM BODY	NR	18,54
7	10	325079		WASH ARM STUD E45/50/503	NR	16,87
7	11	199058		DISC, WATER FLOW REDUCER PLAST.E55	NR	3,88
7	12	115075	REB115075	CENTR.PIPELINE - LOWER 50 (H=108)	NR	9,53
7	13	437014	REB437014	GASKET, LOWER MANIFOLD S850	NR	2,21

8	1	130109	REB130109	PUMP HP 0.80 220/240-50 - 50/500	NR	240,00
8	2	130119		PUMP B237 HP 0.80 220/60 50	NR	237,02
8	3	314001	REB314001	BEARING 6201/2Z	NR	54,23
8	4	206004	REB206004	CONDENSER - 16 mF	NR	20,70
8	6	315017	REB315017	FLANGE, W/COVERING DUCT B237	NR	88,58
8	7	437049	REB437049	GASKET, PUMP 2277	NR	17,49
8	8	141002	REB141002	SEAL, MECH., REVOLVING D 12	NR	10,96
8	9	124038	REB124038	PUMP IMPELLER B237 50Hz D.96	NR	24,57
8	10	124039	REB124039	PUMP IMPELLER B237 60Hz D.83	NR	21,49
8	11	116021	REB116021	PUMP SHELL, B237	NR	23,89
8	12	315022	REB315022	FLANGE, PUMP LGB T-173/174	NR	18,11
8	13	456031	REB456031	O-ring T30-1297 D.2	NR	7,17
8	14	141007	REB141007	SEAL, MECH..D.26x13x5,5 BR.	NR	8,68
8	15	124031	RAG291	IMPELLER, CLOSED 50HZ D.104 T170	NR	16,14
8	16	124053		IMPELLER, CLOSED 60HZ T173-175	NR	16,14
8	17	116019	REB116019	PUMP SHELL, 50 T-173	NR	20,63
9	1	130109	REB130109	PUMP HP 0.80 220/240-50 - 50/500	NR	240,00
9	3	314001	REB314001	BEARING 6201/2Z	NR	54,23
9	4	206003		CONDENSER - 12.5 mF	NR	18,73
9	6	315017	REB315017	FLANGE, W/COVERING DUCT B237	NR	88,58
9	7	437049	REB437049	GASKET, PUMP 2277	NR	17,49
9	8	141002	REB141002	SEAL, MECH., REVOLVING D 12	NR	10,96
9	9	124065		WASH PUMP IMPELLER FOR B237 FOR DISH- WASHER	NR	24,00