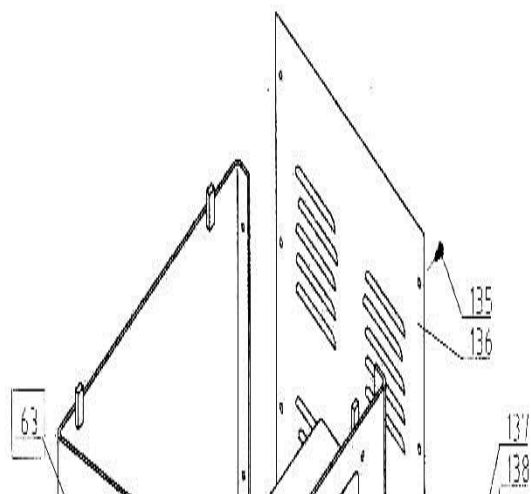
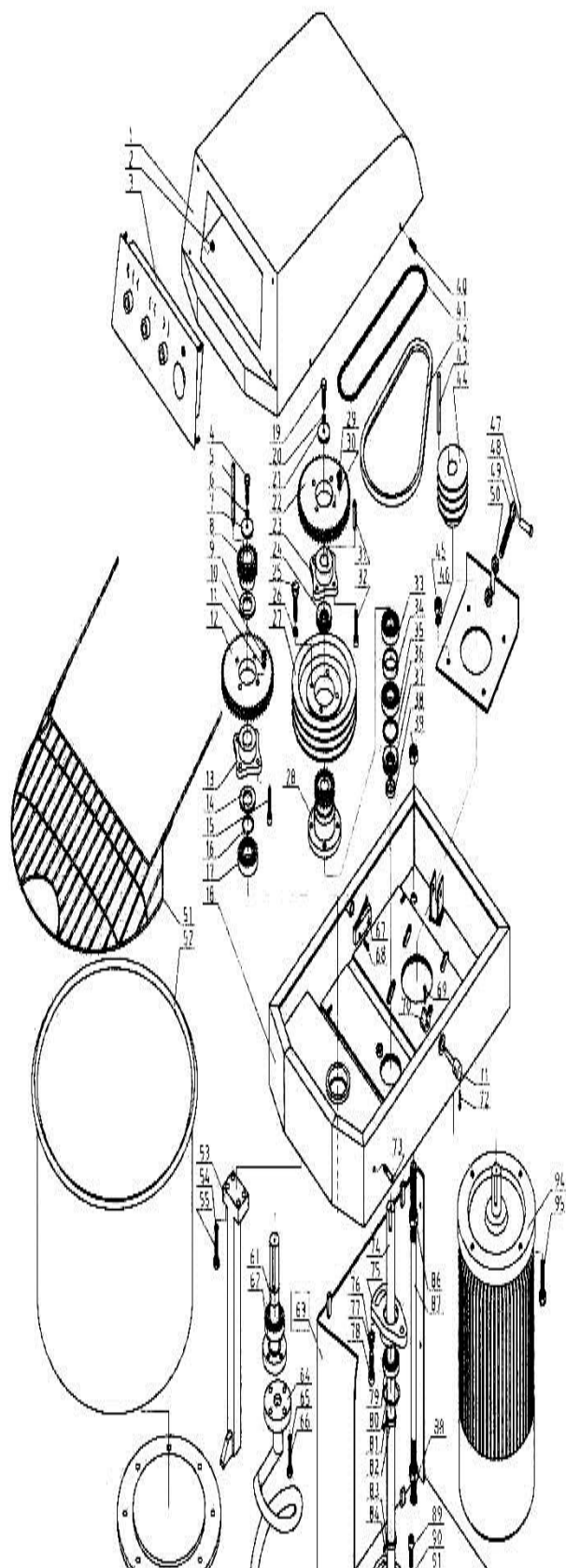
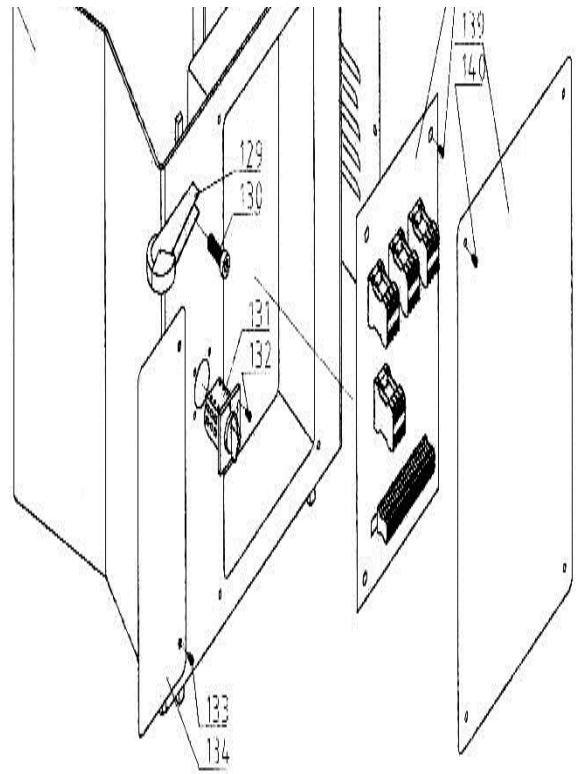
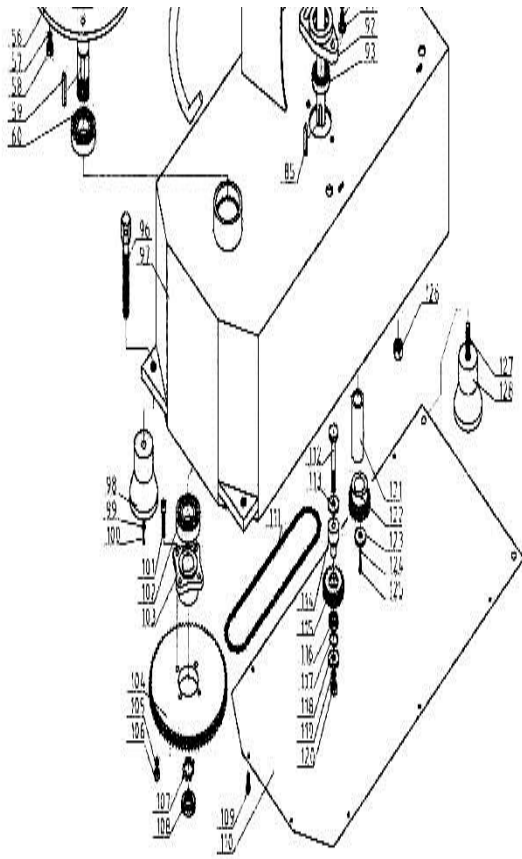


Спиралы





ная тестомесильная машина HS20-HG/H:

№ п/п	Наименование	Кол-во	№ п/п
1	COVER OF TRANSMISSION BOX	1	48
2	NUT M4	4	49
3	CONTROL PANEL	1	50
4	BOLT M6×20	1	51
5	PARALLEL KEY C8×20	1	52
6	WASHER 6	1	53
7	CIRCLIP	1	54
8	CHAIN WHEEL 1	1	55
9	ADJUSTING SPACER	1	56
10	NUT M8	4	57
11	WASHER 8	4	58
12	CHAIN WHEEL 2	1	59
13	CHAIN WHEEL BASE	1	60
14	ADJUSTING WASHER	1	61
15	SCREW M8×35	4	62
16	AXIS LOCK 30	1	63
17	BEARING 7206	1	64
18	TRANSMISSION BOX	1	65
19	BOLT M6×20	1	66
20	WASHER 6	1	67
21	CIRCLIP	1	68
22	CHAIN WHEEL 3	1	69
23	CHAIN WHEEL BASE	1	70
24	BEARING 51105	4	71
25	BOLT M8×35	4	72
26	WASHER 8	1	73
27	BIG BELT PULLEY	1	74
28	CHAIN WHEEL 4	1	75
29	NUT M8	4	76
30	WASHER 8	4	77

31	PARALLEL KEY C8×28	1	78
32	SCREW M8×35	4	79
33	BEARING 7005	1	80
34	SPACER	1	81
35	BEARING 7005	1	82
36	WASHER	1	83
37	BEARING 51205	1	84
38	SPACER	1	85
39	NUT M16	4	86
40	SCREW M6×10	6	87
41	CHAIN 06B-2-78	1	88
42	VEE BELT A-890	3	89
43	PARALLEL KEY C8×55	1	90
44	SMALL BELT PULLEY	1	91
45	NUT M12	4	92
46	WASHER 12	4	93
47	SPLIT PIN	1	94

S30-HG/HS40-HG

Наименование	Кол-во	№ п/п
PIN SHAFT	1	95
SLIPKNOT SCREW	1	96
NUT M12	2	97
NET COVER	1	98
BARREL	1	99
SUPPORT	1	100
WASHER 10	4	101
BLOT M10×40	4	102
ROTATION SHAFT	1	103
WASHER 10	8	104
NUT M10	8	105
PARALLEL KEY 10×32	1	106
BEARING 7207	1	107
MIXER SHAFT	1	108
BEARING 7206	1	109
VERTICAL SHAFT	1	110
BEATER	1	111
WASHER 10	4	112
BLOT M10×40	4	113
LIMIT SWITCH	1	114
SCREW M4×35	2	115
SCREW M45×15	2	116
CAM	1	117
ROTATION SHAFT OF NET COVER	2	118
SCREW M6×15	2	119
SUPPORTING SHAFT OF NET COVER	2	120
TRANSMISSION SHAFT	1	121
BASE OF UPPER BEARING	1	122
FLAT WASHER 10	2	123
SPRING WASHER 10	2	124

SCREW M10×35	2	125
BEARING 1205	1	126
HOLE LOCK	1	127
BLOT M6×25	1	128
SPACER	1	129
SPACER	1	130
BLOT M6×25	1	131
PARALLEL KEY C8×32	1	132
NUT M16	4	133
DOUBLE-SCREW BOLT	4	134
NUT M16	4	135
SCREW M10×35	2	136
SPRING WASHER 10	2	137
FLAT WASHER 10	2	138
BELOW BEARING BASE	1	139
BEARING 1205	1	140
MOTOR	1	

Наименование	Кол-во
BOLT M12×60	4
ADJUSTING DOUBLE-SCREW BOLT	2
BASE OF UPPER BEARING	1
FRONT SUPPORTING LEG	2
WASHER 6	2
SCREW M6×15	2
SCREW M8×35	4
BEARING 7207	1
CHAIN WHEEL BASE	1
CHAIN WHEEL 5	1
WASHER8	4
NUT 8	4
STOP SPACER	1
ROUND NUT M35	1
SCREW M6×15	10
BASE BOARD	1
CHAIN 06B2	1
SPECIAL SCREW	1
ADJUSTING SPACER	1
SPECIAL SHAFT OF CHAIN WHEEL 6	1
CHAIN WHEEL 6	1
BEARING 6202	1
HOLE LOCK 35	1
CIRCLIP	1
WASHER 10	1
NUT M10	1
ADJUSTING SLEEVE	1
CHAIN WHEEL 7	1
CIRCLIP	1
WASHER 6	1

BLOT M6×20	1
NUT M16	4
SCREW M10×50	2
BACK SUPPORTING LEG	2
WHEEL CHOCK SUBASSEMBLY	2
BLOT M10×25	4
CHANGE-OVER SWITCH	1
SCREW M4×35	4
SCREW M6×10	4
BAFFLE	2
SCREW M6×10	8
BACK COVE PLATE	1
ELECTRICAL EQUIPMENT SUBASSEMBLY	1
SCREW M8×30	4
ELECTRICAL EQUIPMENT COVER PLATE	1
SCREW M6×10	4